



# FABRAL® SNAP-ON-BATTEN

## BRIEF PRODUCT SPECIFICATION

### FABRAL CORE™

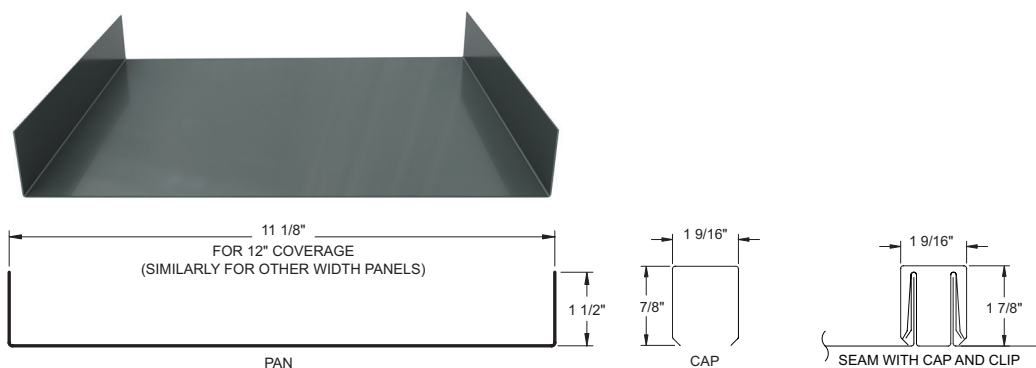
**You challenge us.  
And we like it.**

Your vision for a building and what you want to achieve makes us think harder. It'd be easy to say - That won't work. Instead we go with - Let's see what we can do.

**Fabral.com**  
800.884.4484

## STANDING SEAM ROOF PANEL SNAP-ON-BATTEN

Snap-On-Batten, a classic wide batten design combines bold, aesthetic design and high performance. Panels are ideal for mansards with a slope transition to vertical fascia. The Snap-On-Batten is easy to install and perform the knuckle joint detail. A concealed clip allows for unlimited thermal movement and a tapering option is available to help reach your designs maximum potential.



### MANUFACTURER DESCRIPTION

- Fabral®, 308 Alabama Blvd, Jackson, GA 30233
- Telephone: 800.884.4484
- Email: sales@fabral.com
- Website: www.fabral.com

### PRODUCT DESCRIPTION

<b>Acceptable Product:</b>	Fabral® Snap-On-Batten	
<b>Wind Uplift:</b>	ASTM E1592	Test results vary depending on gauge and panel width
<b>Class 4 impact:</b>	UL2218	
<b>Class A fire:</b>	UL790	

### DESIGN INFORMATION

- Roof Slope: Minimum required - 3:12
- Requires solid decking
- Field Curving: Minimum radius 200'
- Tapering Options Available
- Panel Length: Maximum - 30' Minimum - 6'
- Panel Width: 12", 16", 18", 20"

### PRODUCT INSTALLATION

Install panels plumb, level and straight so it is watertight and without waves or other distortions, allowing for thermal movement considerations. Apply sealant tape or caulking as necessary at flashing and panel joints to prevent water penetration.

### PRODUCT MAINTENANCE AND WARRANTY

Fabral® provides a 20 year paint-finish warranty for cracking, chipping, peeling, fading and chalking, and a wide selection of weathertightness warranties are available for up to 20 years – providing confidence in a long-lasting application.

To ensure the durability of your Snap-On-Seam panels, use proper care. Remove filings, grease, stains, marks or excess sealants from roof panels system to prevent staining. Store panels and flashings in a safe, dry environment.

# FABRAL®