

**FABRAL**

Project:  
 Contractor:

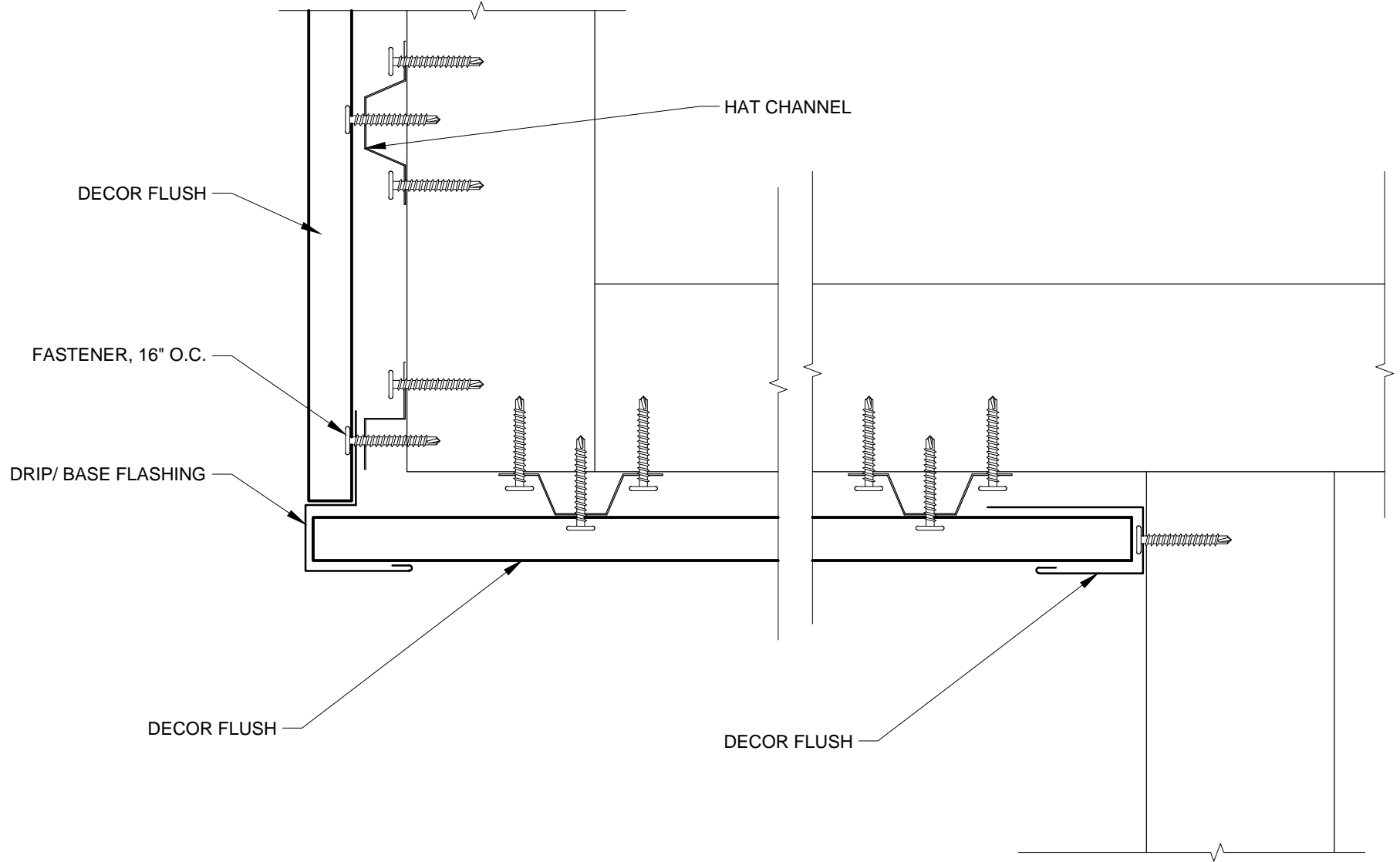
THIS DRAWING IS THE  
 PROPERTY OF FABRAL,  
 INC. THE USE OF THIS  
 DRAWING WITHOUT THE  
 EXPRESS PERMISSION OF  
 FABRAL IS PROHIBITED.

**FABRAL, INC.**  
 3449 Hempland Road  
 Lancaster, PA 17601  
 800-477-2741

**WALL TO SOFFIT DETAIL (WTS1)**

**DECOR FLUSH**

Issued:  
 JUNE 2013



**FABRAL®**

Project:  
 Contractor:

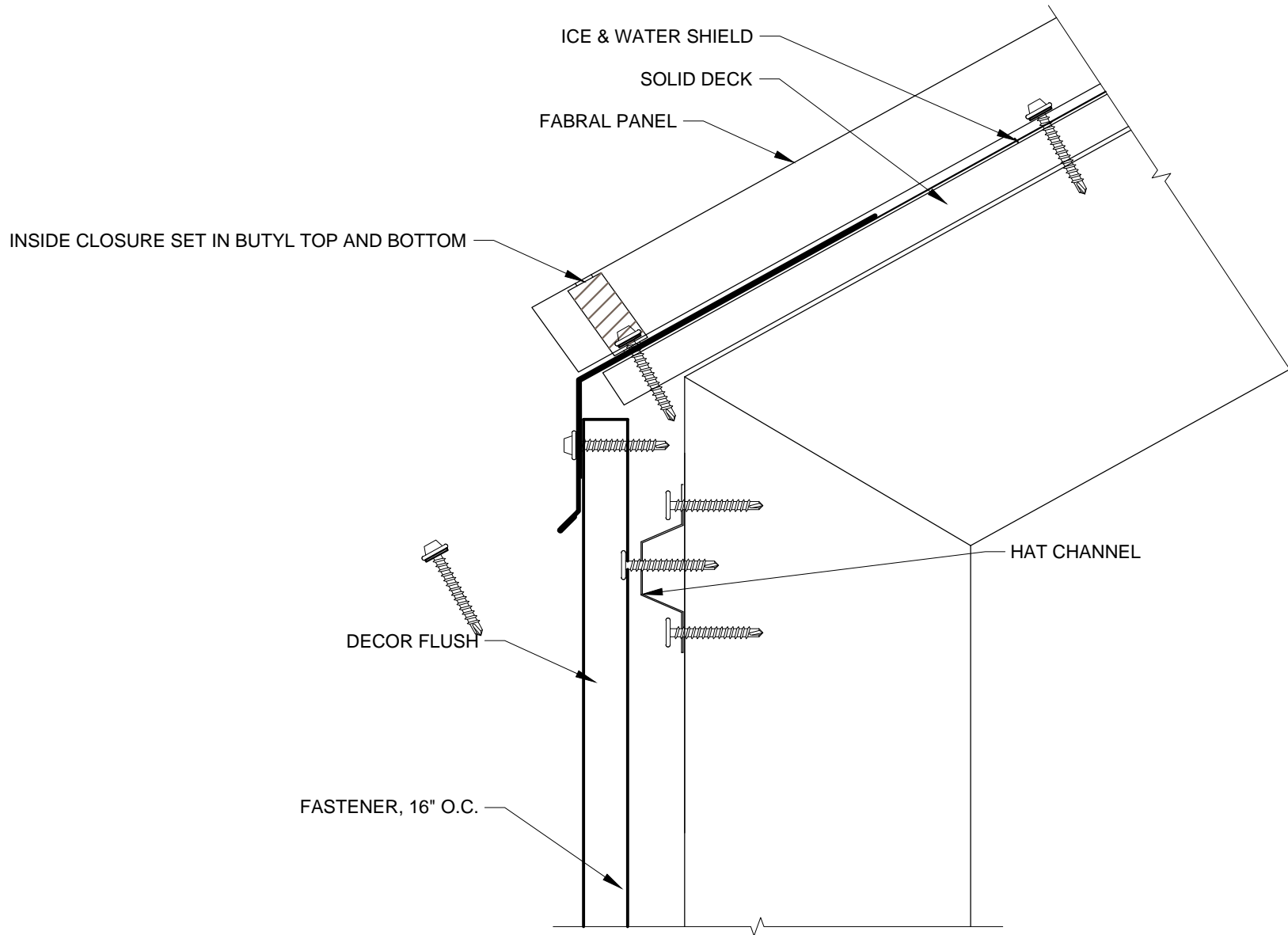
THIS DRAWING IS THE  
 PROPERTY OF FABRAL,  
 INC. THE USE OF THIS  
 DRAWING WITHOUT THE  
 EXPRESS PERMISSION OF  
 FABRAL IS PROHIBITED.

**FABRAL, INC.**  
 3449 Hempland Road  
 Lancaster, PA 17601  
 800-477-2741

**WALL TO SOFFIT DETAIL 2 (WTS2)**

**DECOR FLUSH**

Issued:  
 JUNE 2013



**FABRAL®**

Project:

---

Contractor:

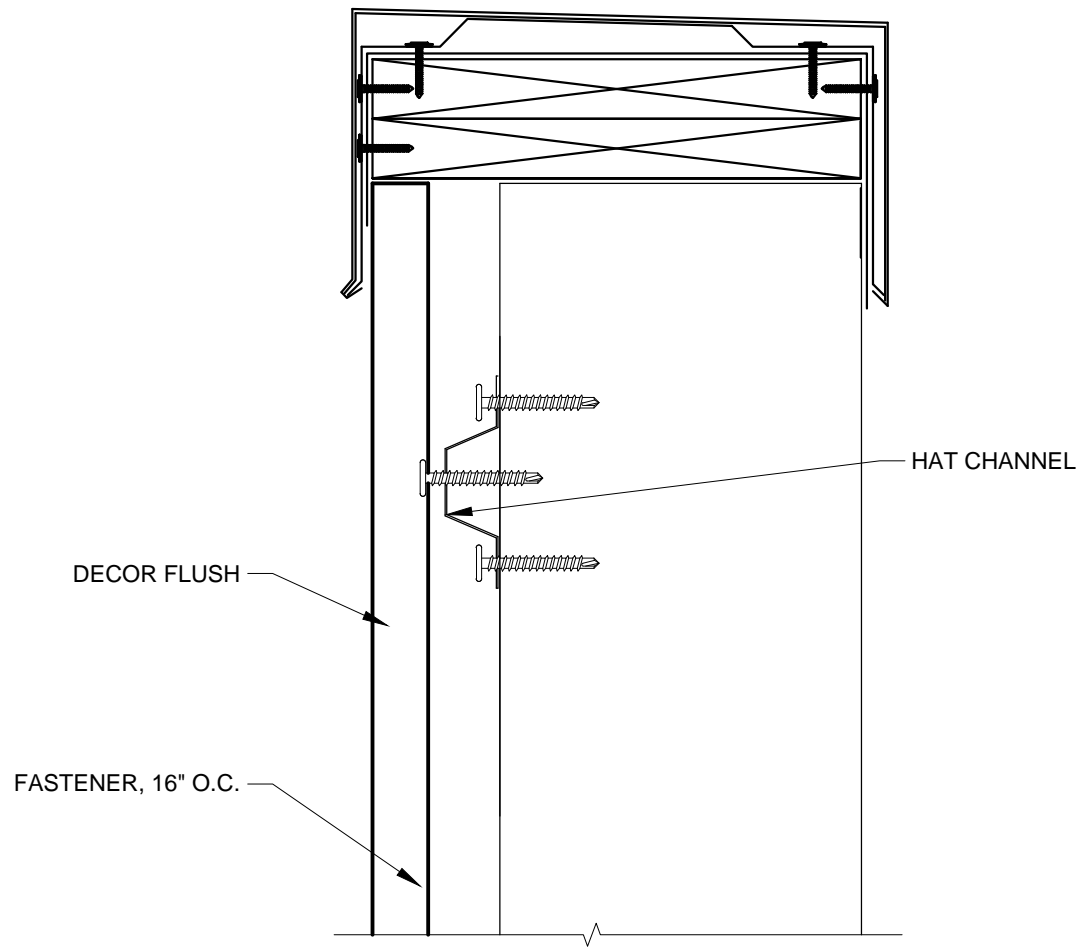
THIS DRAWING IS THE PROPERTY OF FABRAL, INC. THE USE OF THIS DRAWING WITHOUT THE EXPRESS PERMISSION OF FABRAL IS PROHIBITED.

**FABRAL, INC.**  
 3449 Hempland Road  
 Lancaster, PA 17601  
 800-477-2741

**WALL TO EAVE TRANSITION (WTE1)**

**DECOR FLUSH**

Issued:  
 JUNE 2013



**FABRAL**

Project:

---

Contractor:

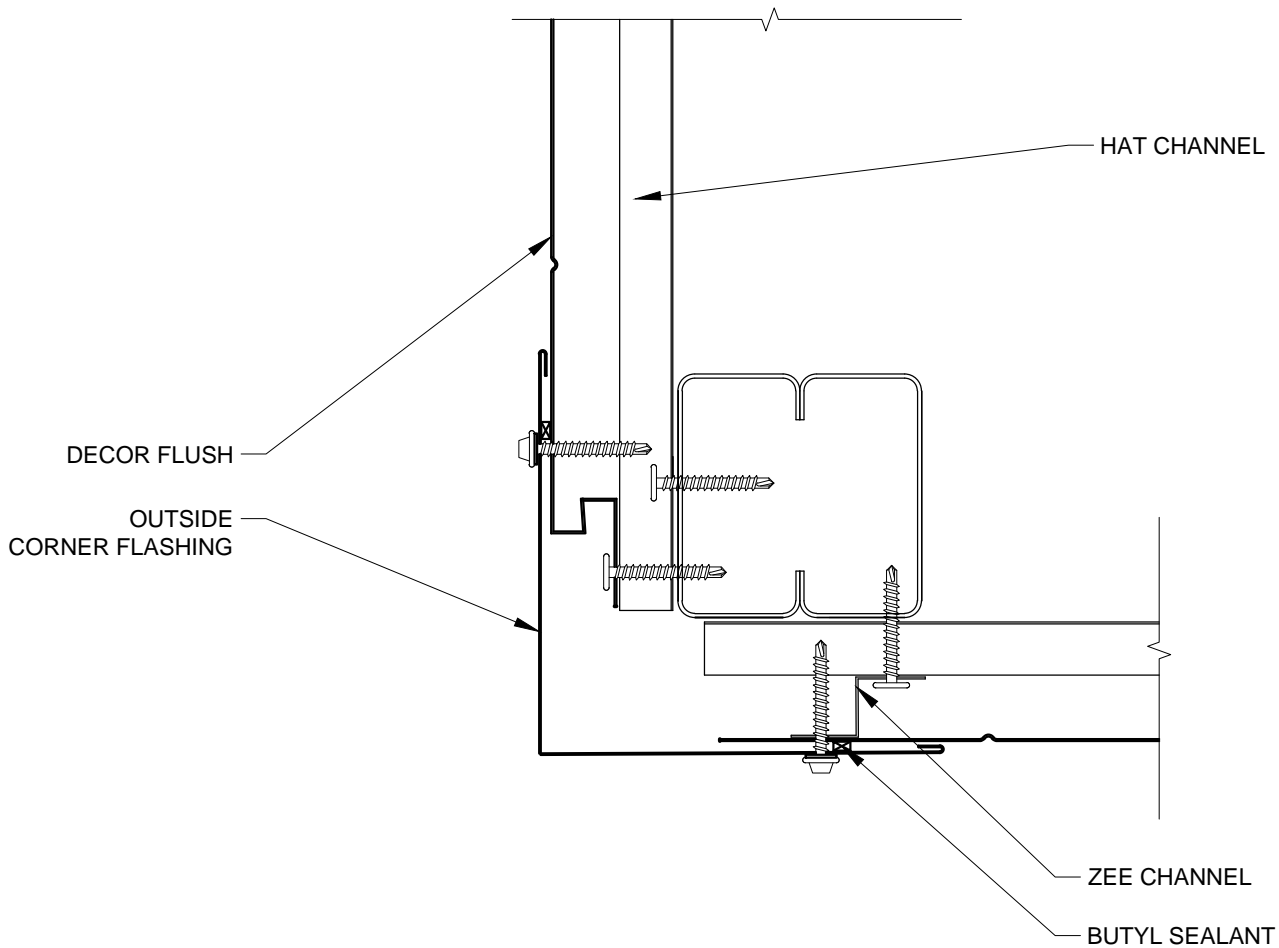
THIS DRAWING IS THE PROPERTY OF FABRAL, INC. THE USE OF THIS DRAWING WITHOUT THE EXPRESS PERMISSION OF FABRAL IS PROHIBITED.

**FABRAL, INC.**  
 3449 Hempland Road  
 Lancaster, PA 17601  
 800-477-2741

**PARRAPIT WALL DETAIL (PW1)**

**DECOR FLUSH**

Issued:  
 JUNE 2013



**FABRAL®**

Project:

Contractor:

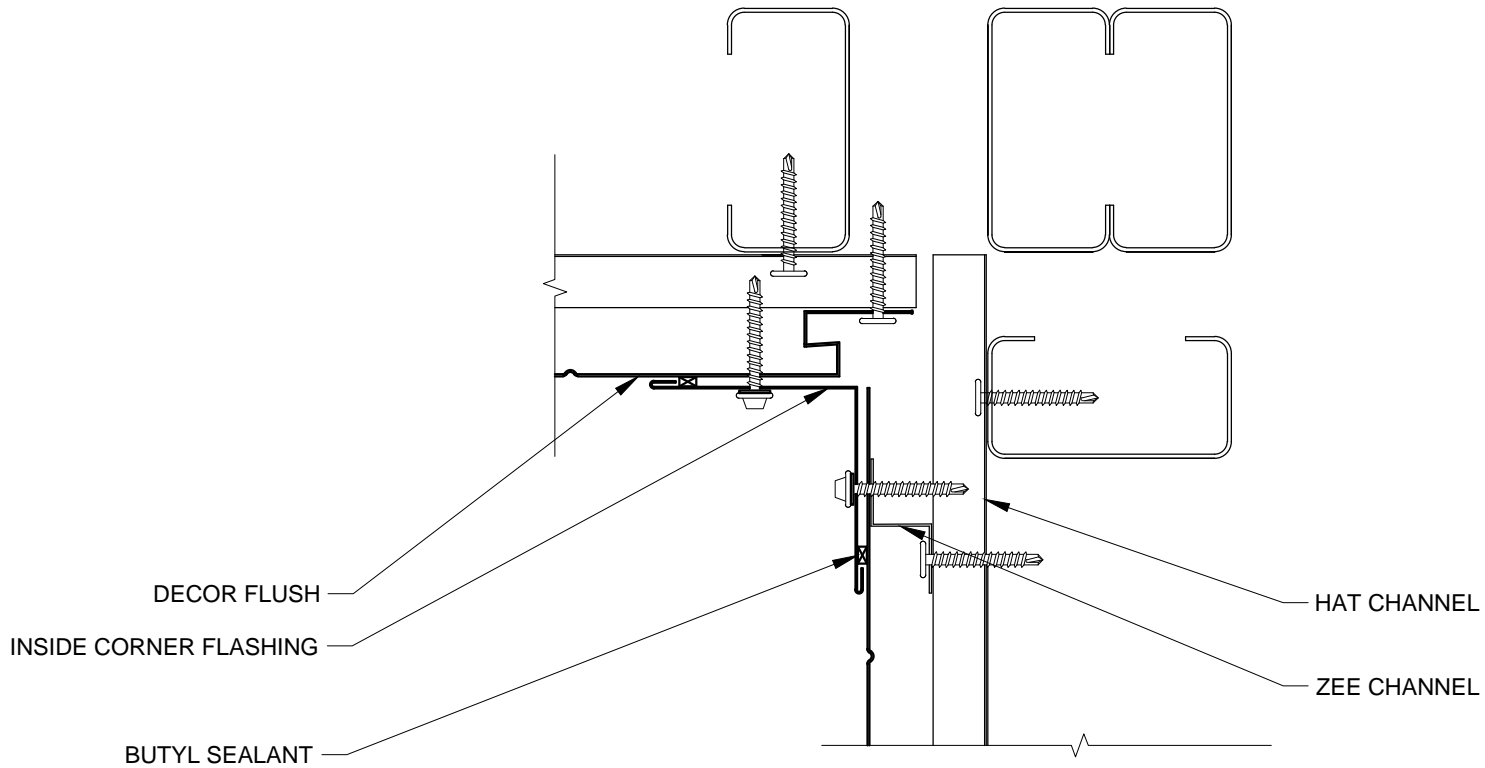
THIS DRAWING IS THE PROPERTY OF FABRAL, INC. THE USE OF THIS DRAWING WITHOUT THE EXPRESS PERMISSION OF FABRAL IS PROHIBITED.

**FABRAL, INC.**  
 3449 Hempland Road  
 Lancaster, PA 17601  
 800-477-2741

**OUTSIDE CORNER DETAIL(OC1)**

**DECOR FLUSH**

Issued:  
 JUNE 2013



**FABRAL®**

Project:

Contractor:

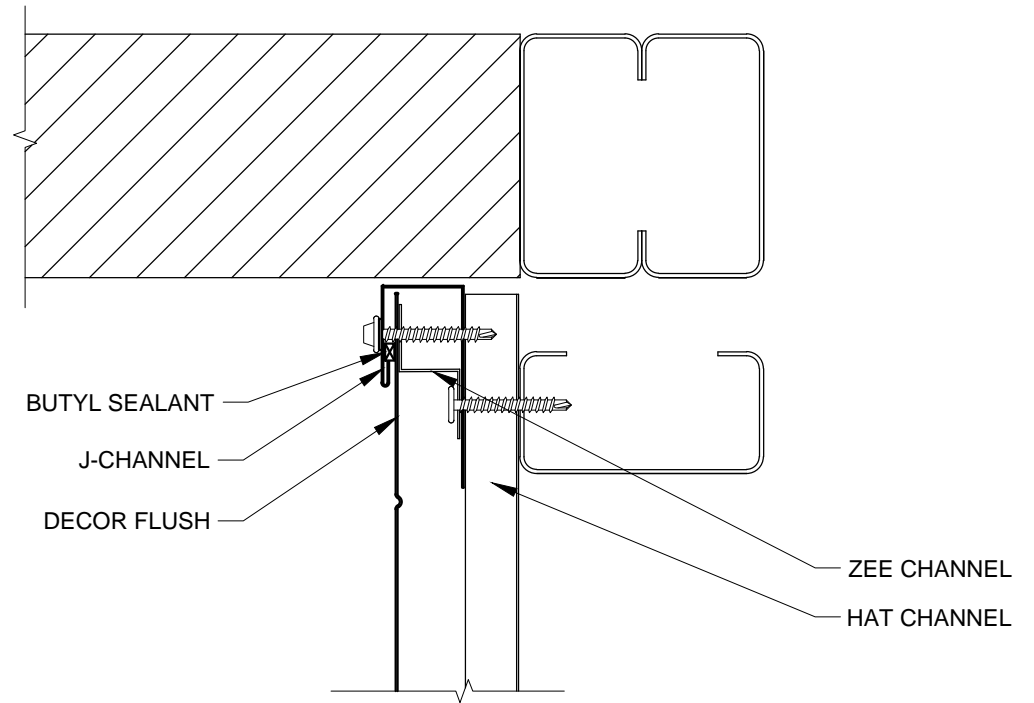
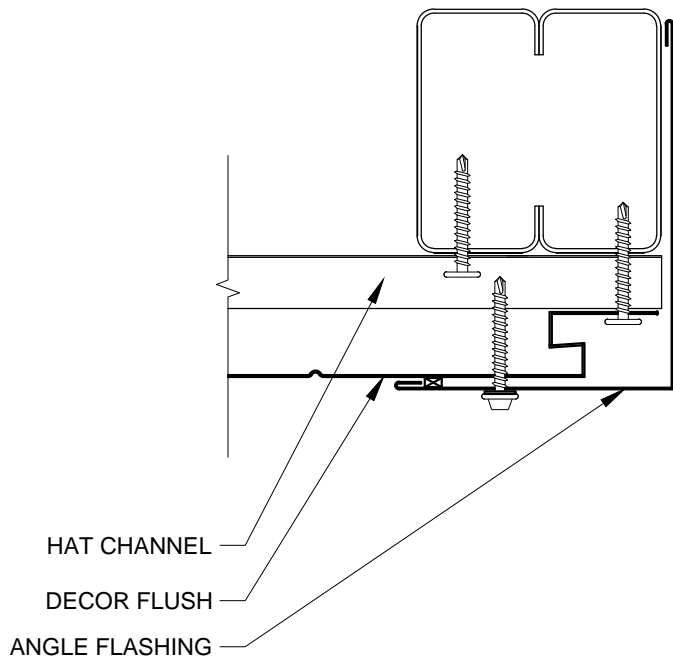
THIS DRAWING IS THE  
PROPERTY OF FABRAL,  
INC. THE USE OF THIS  
DRAWING WITHOUT THE  
EXPRESS PERMISSION OF  
FABRAL IS PROHIBITED.

**FABRAL, INC.**  
3449 Hempland Road  
Lancaster, PA 17601  
800-477-2741

**INSIDE CORNER DETAIL (IC1)**

**DECOR FLUSH**

Issued:  
JUNE 2013



**FABRAL®**

Project: \_\_\_\_\_  
 Contractor: \_\_\_\_\_

THIS DRAWING IS THE PROPERTY OF FABRAL, INC. THE USE OF THIS DRAWING WITHOUT THE EXPRESS PERMISSION OF FABRAL IS PROHIBITED.

**FABRAL, INC.**  
 3449 Hempland Road  
 Lancaster, PA 17601  
 800-477-2741

**WALL TERMINATION DETAIL (WT1)**

**DECOR FLUSH**

Issued:  
 JUNE 2013