

**FABRAL**<sup>®</sup>

Project:

Contractor:

THIS DRAWING IS THE PROPERTY OF FABRAL, INC. THE USE OF THIS DRAWING WITHOUT THE EXPRESS PERMISSION OF FABRAL IS PROHIBITED.

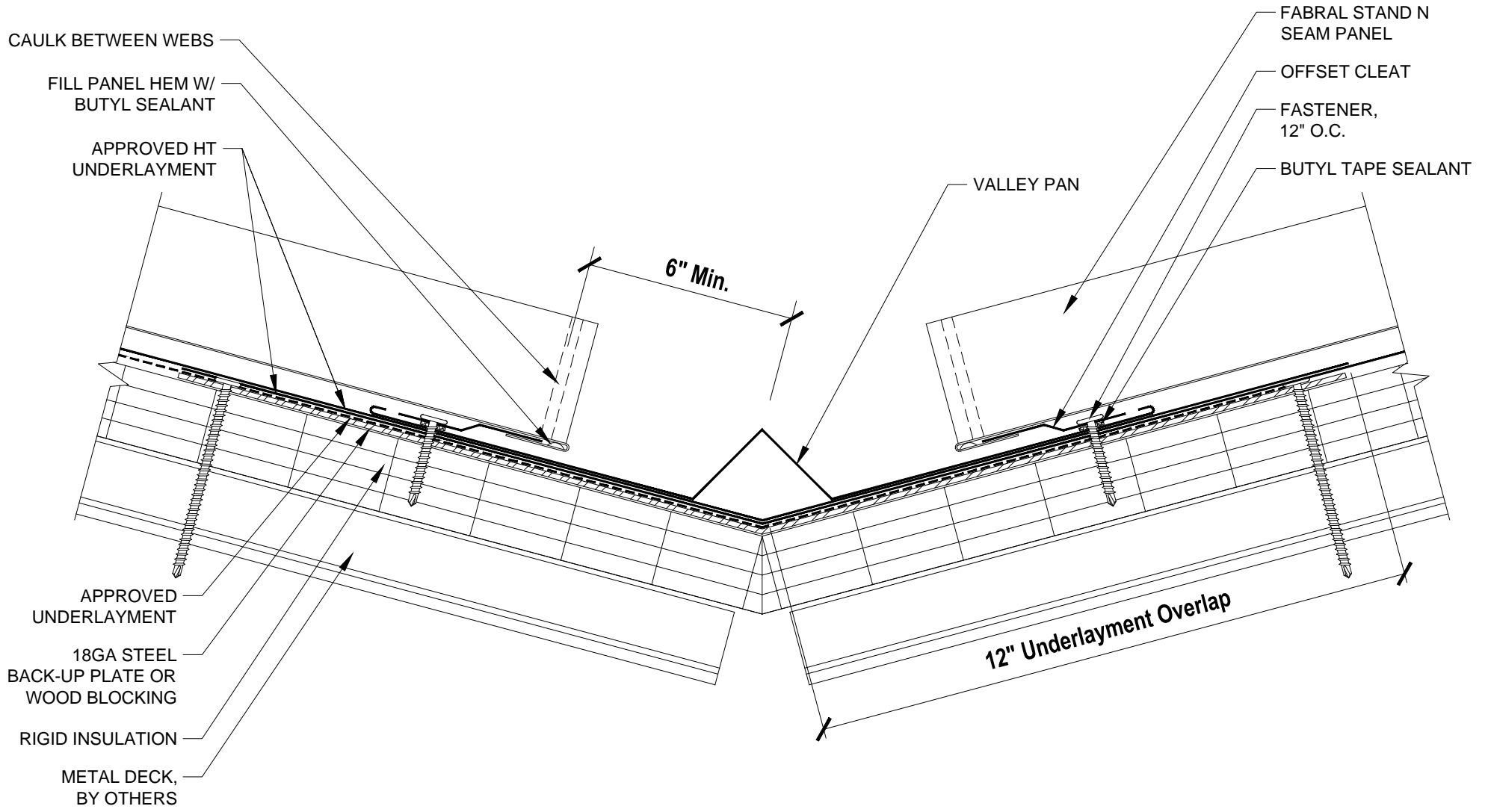
**FABRAL, INC.**  
 3449 Hempland Road  
 Lancaster, PA 17601  
 800-477-2741

**FIXED HIP/RIDGE DETAIL (HR-1)**

**STAND 'N SEAM**

Issued:

APRIL 2012



**FABRAL®**

Project:

Contractor:

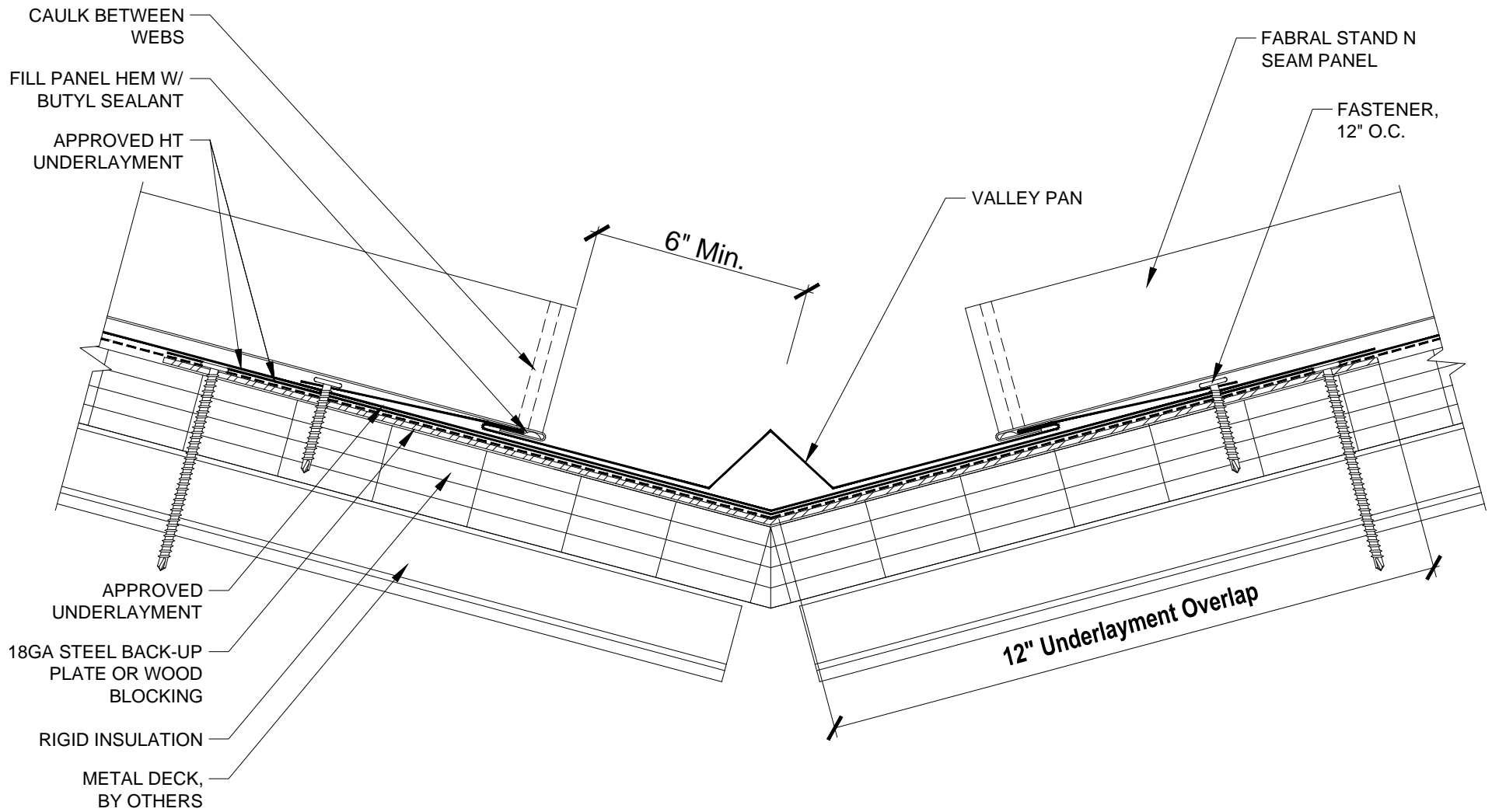
THIS DRAWING IS THE PROPERTY OF FABRAL, INC. THE USE OF THIS DRAWING WITHOUT THE EXPRESS PERMISSION OF FABRAL IS PROHIBITED.

**FABRAL, INC.**  
 3449 Hempland Road  
 Lancaster, PA 17601  
 800-477-2741

**VALLEY DETAIL (V-1)**

**STAND 'N SEAM**

Issued:  
 APRIL 2012



**FABRAL®**

Project:

Contractor:

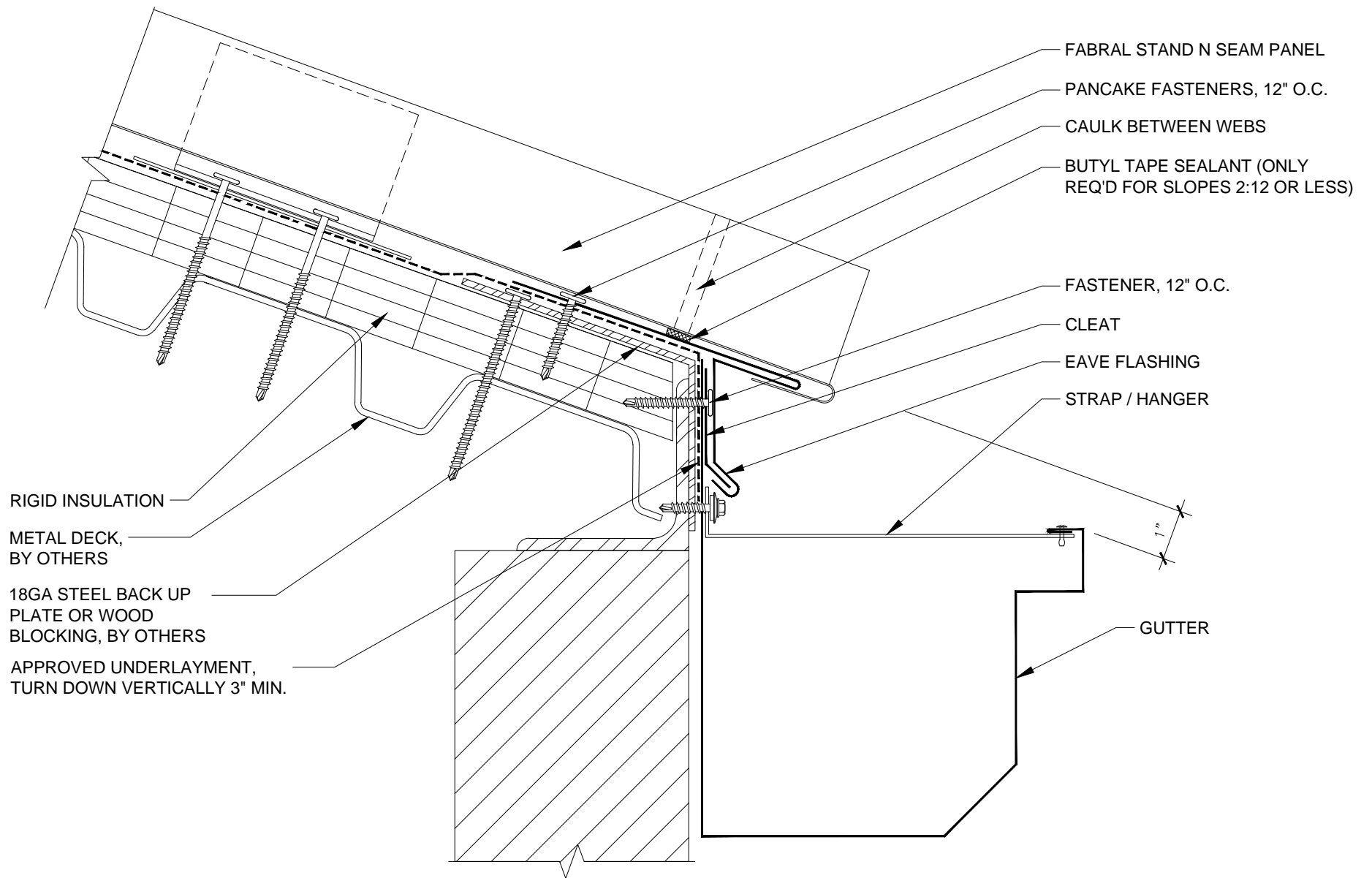
THIS DRAWING IS THE PROPERTY OF FABRAL, INC. THE USE OF THIS DRAWING WITHOUT THE EXPRESS PERMISSION OF FABRAL IS PROHIBITED.

**FABRAL, INC.**  
 3449 Hempland Road  
 Lancaster, PA 17601  
 800-477-2741

**VALLEY DETAIL (V-2)**

**STAND 'N SEAM**

Issued:  
 APRIL 2012



**FABRAL®**

Project: \_\_\_\_\_  
 Contractor: \_\_\_\_\_

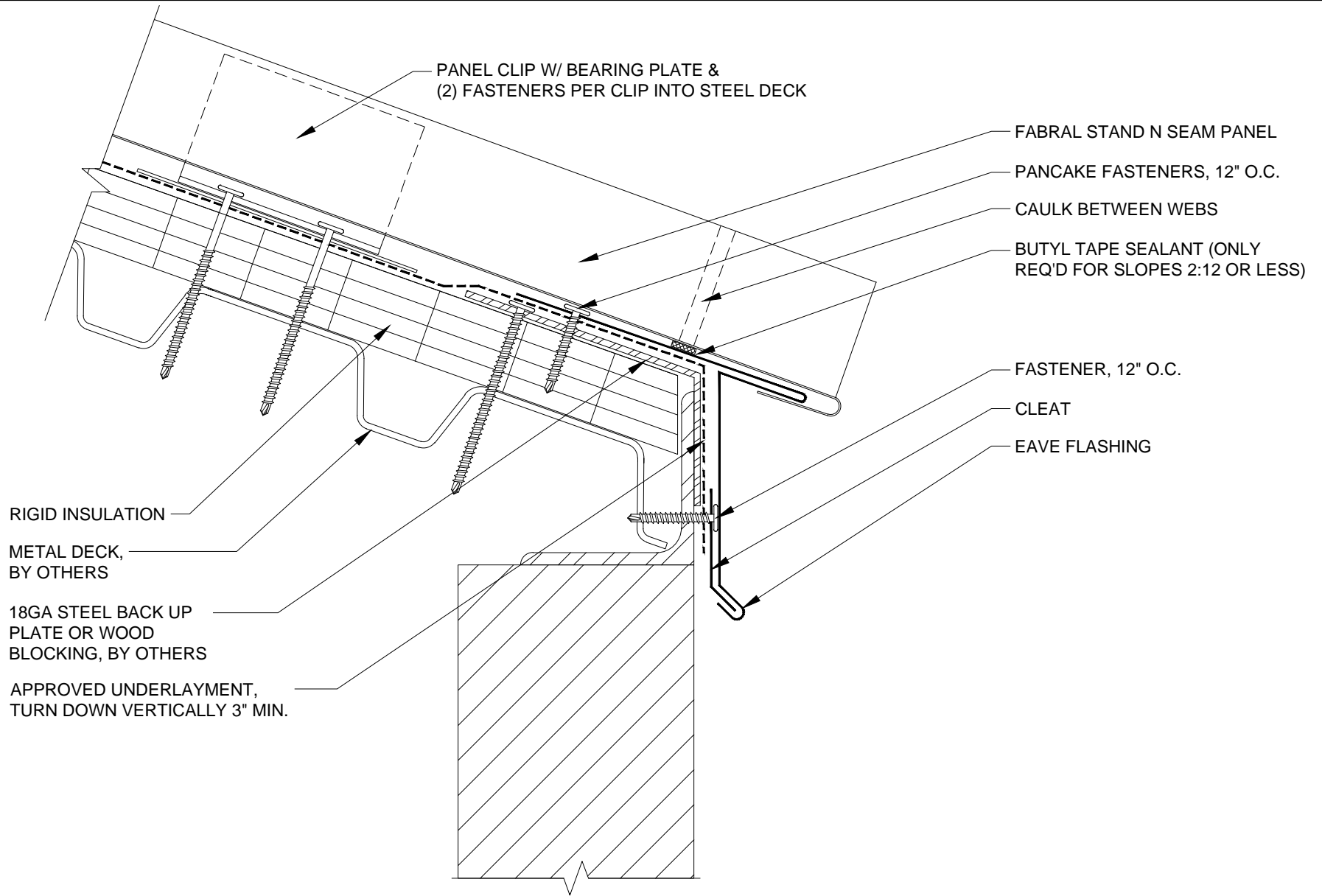
THIS DRAWING IS THE PROPERTY OF FABRAL, INC. THE USE OF THIS DRAWING WITHOUT THE EXPRESS PERMISSION OF FABRAL IS PROHIBITED.

**FABRAL, INC.**  
 3449 Hempland Road  
 Lancaster, PA 17601  
 800-477-2741

**SLIDING EAVE W/ GUTTER DETAIL (EG-1)**

**STAND 'N SEAM**

Issued:  
 APRIL 2012



**FABRAL®**

Project:

Contractor:

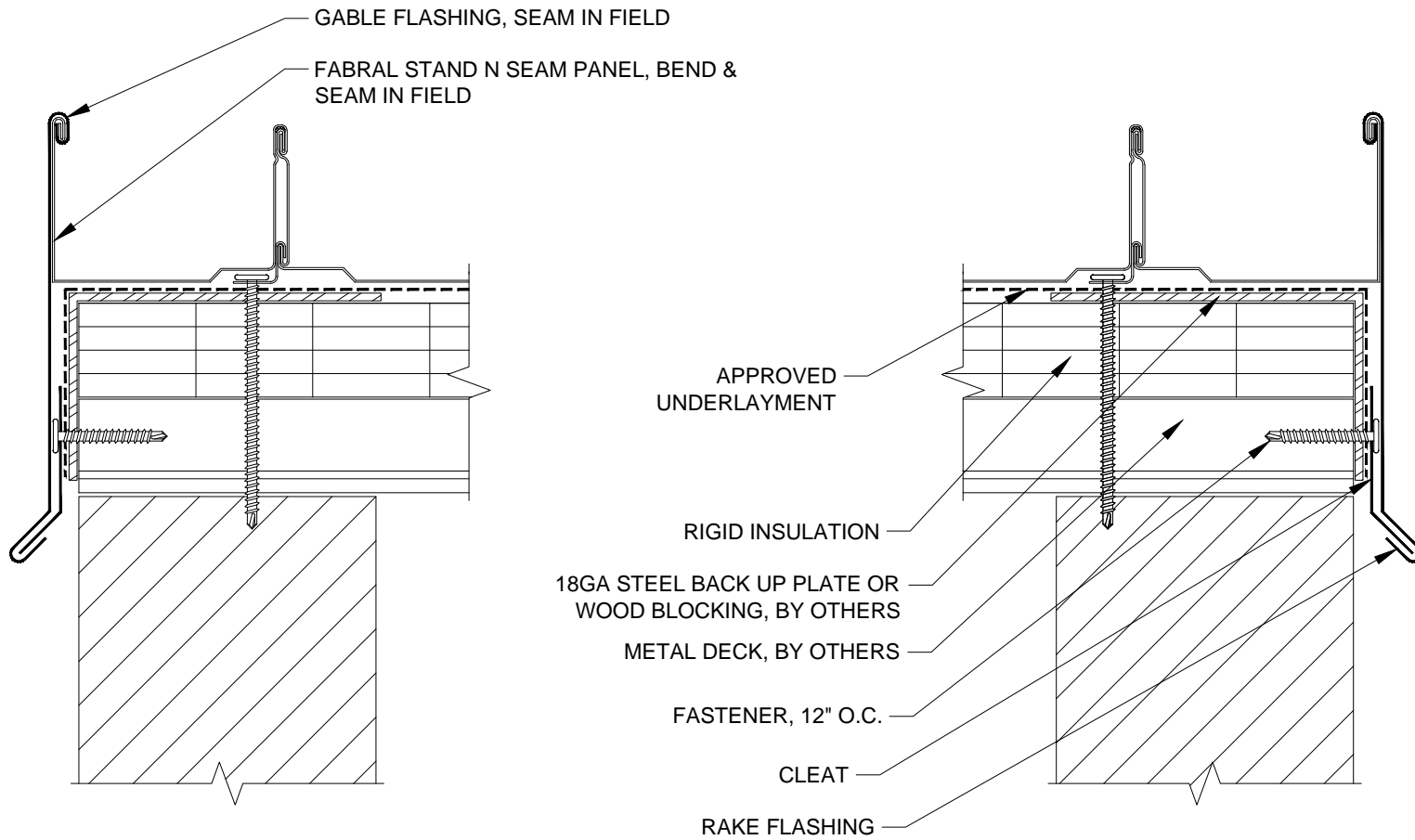
THIS DRAWING IS THE PROPERTY OF FABRAL, INC. THE USE OF THIS DRAWING WITHOUT THE EXPRESS PERMISSION OF FABRAL IS PROHIBITED.

**FABRAL, INC.**  
 3449 Hempland Road  
 Lancaster, PA 17601  
 800-477-2741

**SLIDING EAVE DETAIL (E-1)**

**STAND 'N SEAM**

Issued:  
 APRIL 2012



**FABRAL**<sup>®</sup>

Project:

Contractor:

THIS DRAWING IS THE PROPERTY OF FABRAL, INC. THE USE OF THIS DRAWING WITHOUT THE EXPRESS PERMISSION OF FABRAL IS PROHIBITED.

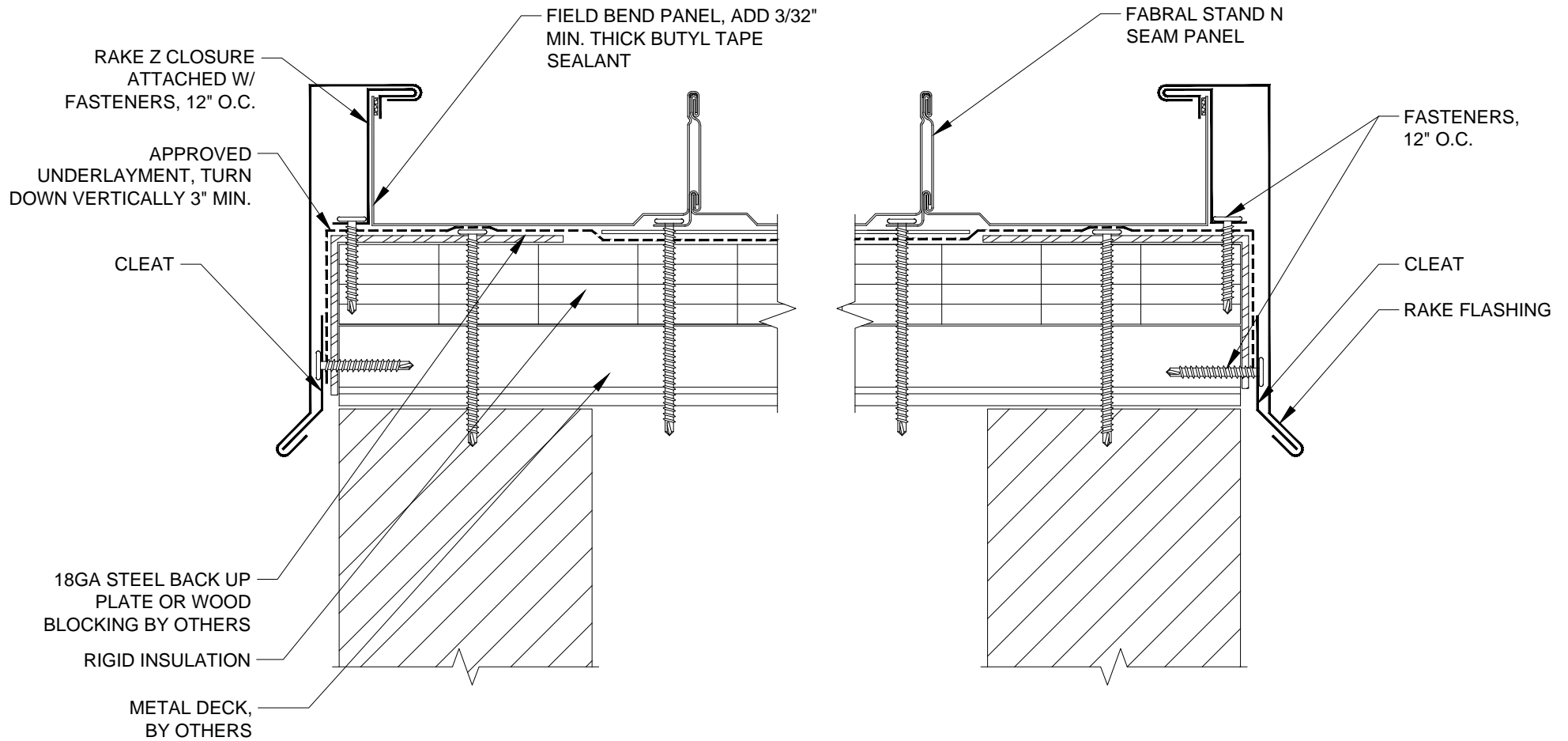
**FABRAL, INC.**  
 3449 Hempland Road  
 Lancaster, PA 17601  
 800-477-2741

**SLIDING GABLE DETAIL (G-1)**

**STAND 'N SEAM**

Issued:

APRIL 2012



**FABRAL®**

Project: \_\_\_\_\_

Contractor: \_\_\_\_\_

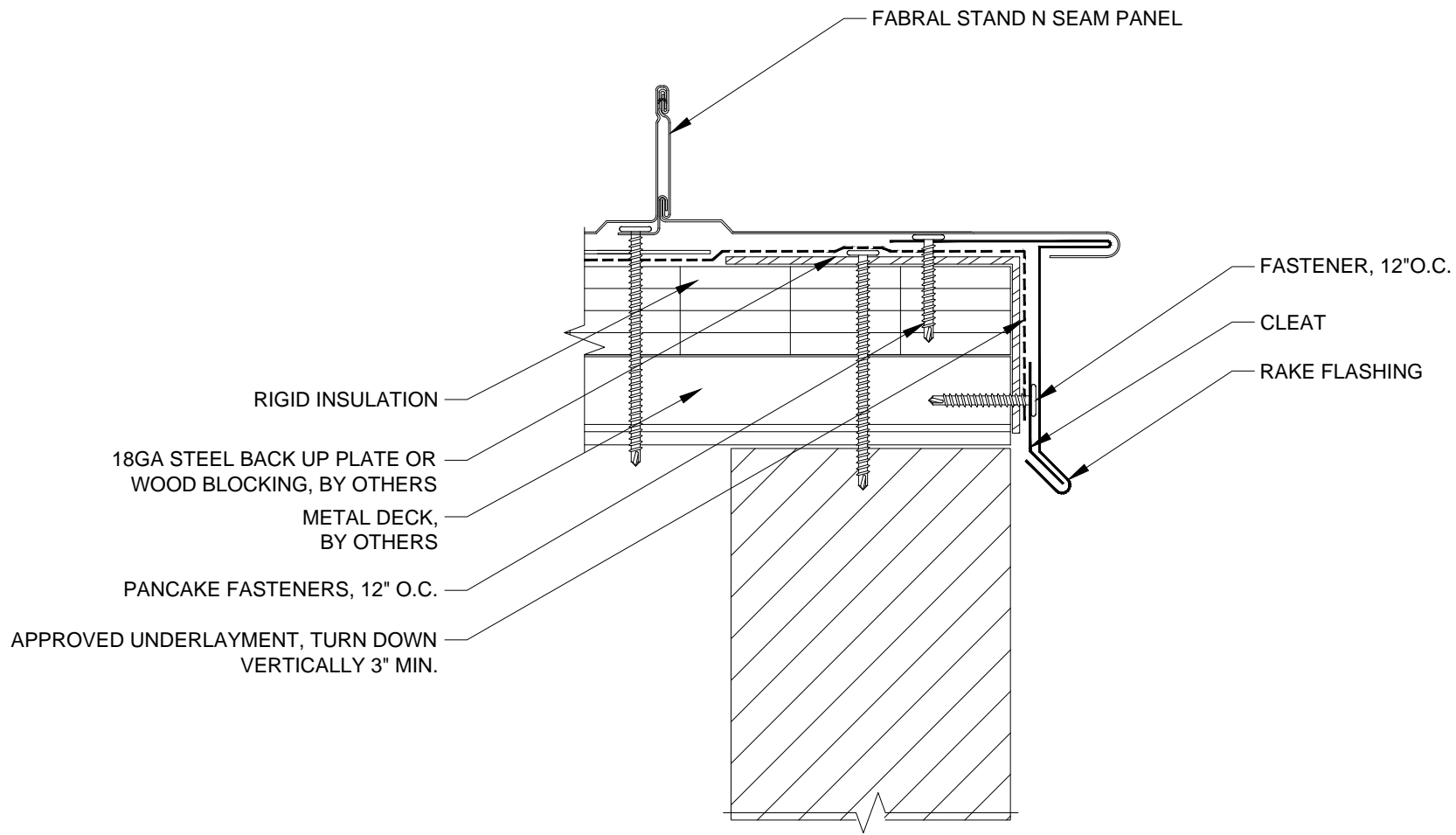
THIS DRAWING IS THE PROPERTY OF FABRAL, INC. THE USE OF THIS DRAWING WITHOUT THE EXPRESS PERMISSION OF FABRAL IS PROHIBITED.

**FABRAL, INC.**  
 3449 Hempland Road  
 Lancaster, PA 17601  
 800-477-2741

**SLIDING GABLE DETAIL (G-2)**

**STAND 'N SEAM**

Issued:  
 APRIL 2012



**FABRAL®**

Project:

Contractor:

THIS DRAWING IS THE PROPERTY OF FABRAL, INC. THE USE OF THIS DRAWING WITHOUT THE EXPRESS PERMISSION OF FABRAL IS PROHIBITED.

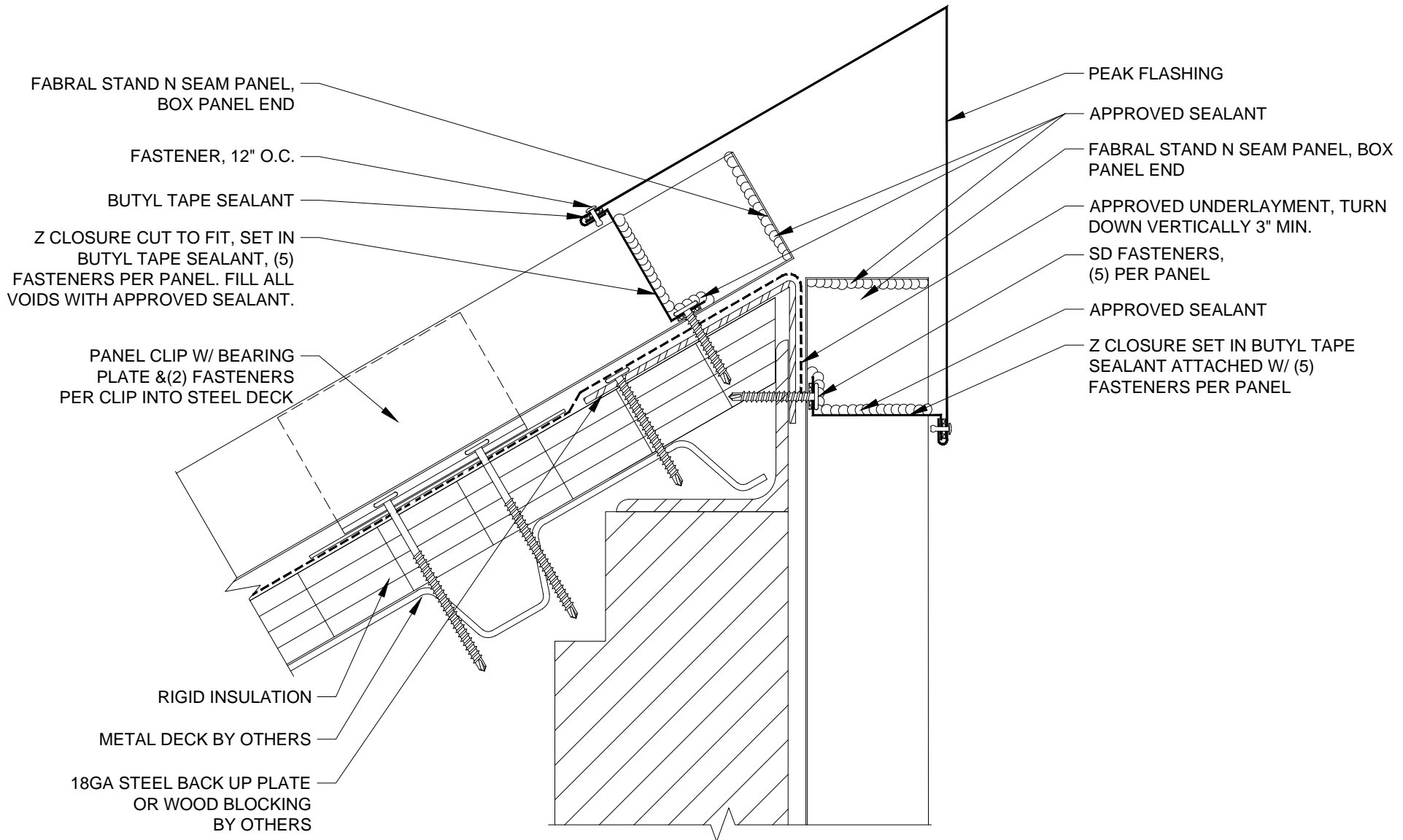
**FABRAL, INC.**  
 3449 Hempland Road  
 Lancaster, PA 17601  
 800-477-2741

**SLIDING GABLE DETAIL (G-3)**

**STAND 'N SEAM**

Issued:  
 APRIL 2012





**FABRAL**

Project:

Contractor:

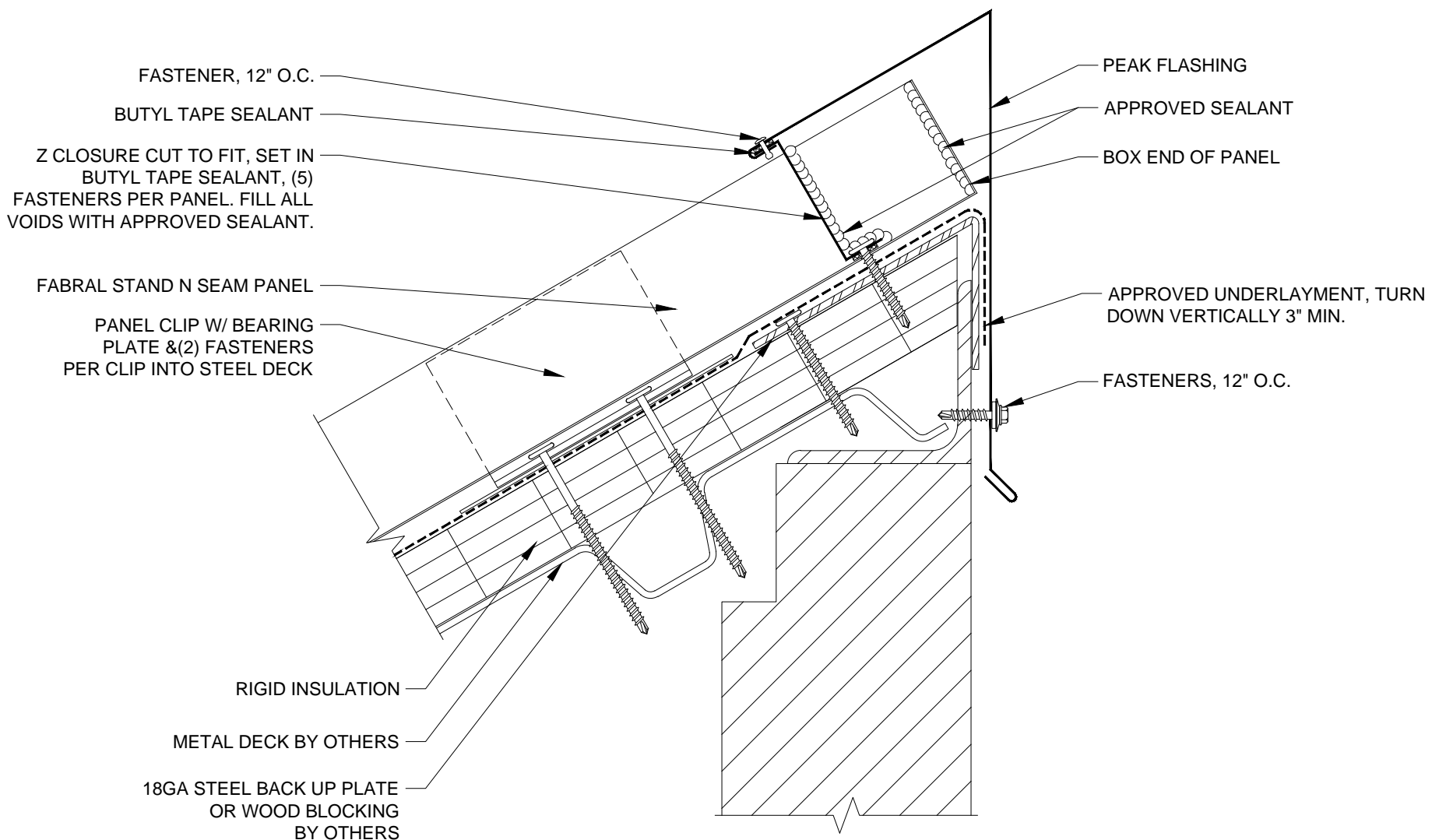
THIS DRAWING IS THE PROPERTY OF FABRAL, INC. THE USE OF THIS DRAWING WITHOUT THE EXPRESS PERMISSION OF FABRAL IS PROHIBITED.

**FABRAL, INC.**  
 3449 Hempland Road  
 Lancaster, PA 17601  
 800-477-2741

**HIGH SIDE EAVE DETAIL (HSE-1)**

**STAND 'N SEAM**

Issued:  
 APRIL 2012



**FABRAL®**

Project:

Contractor:

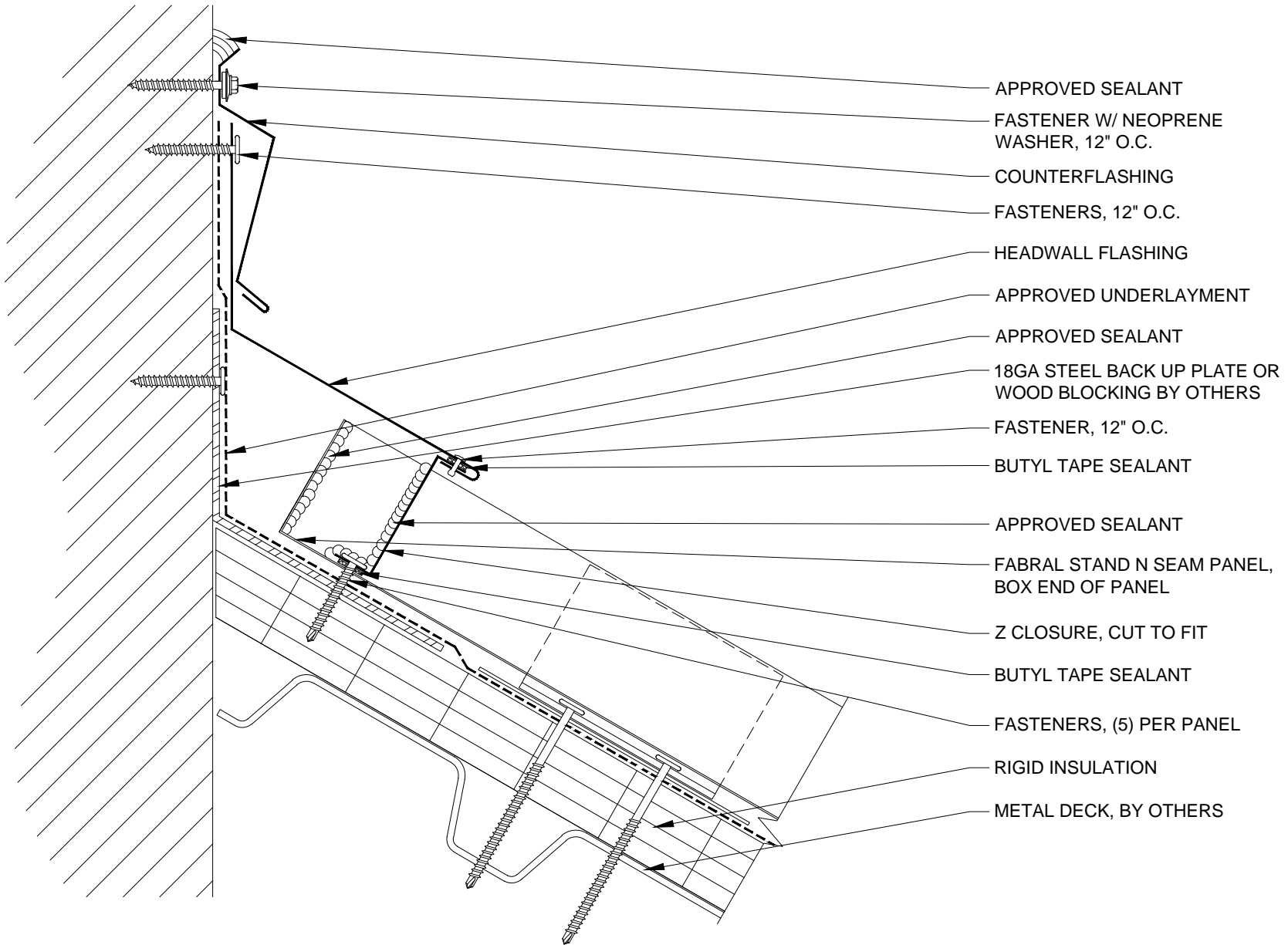
THIS DRAWING IS THE PROPERTY OF FABRAL, INC. THE USE OF THIS DRAWING WITHOUT THE EXPRESS PERMISSION OF FABRAL IS PROHIBITED.

**FABRAL, INC.**  
 3449 Hempland Road  
 Lancaster, PA 17601  
 800-477-2741

**HIGH SIDE EAVE DETAIL (HSE-2)**

**STAND 'N SEAM**

Issued:  
 APRIL 2012



**FABRAL®**

Project:

Contractor:

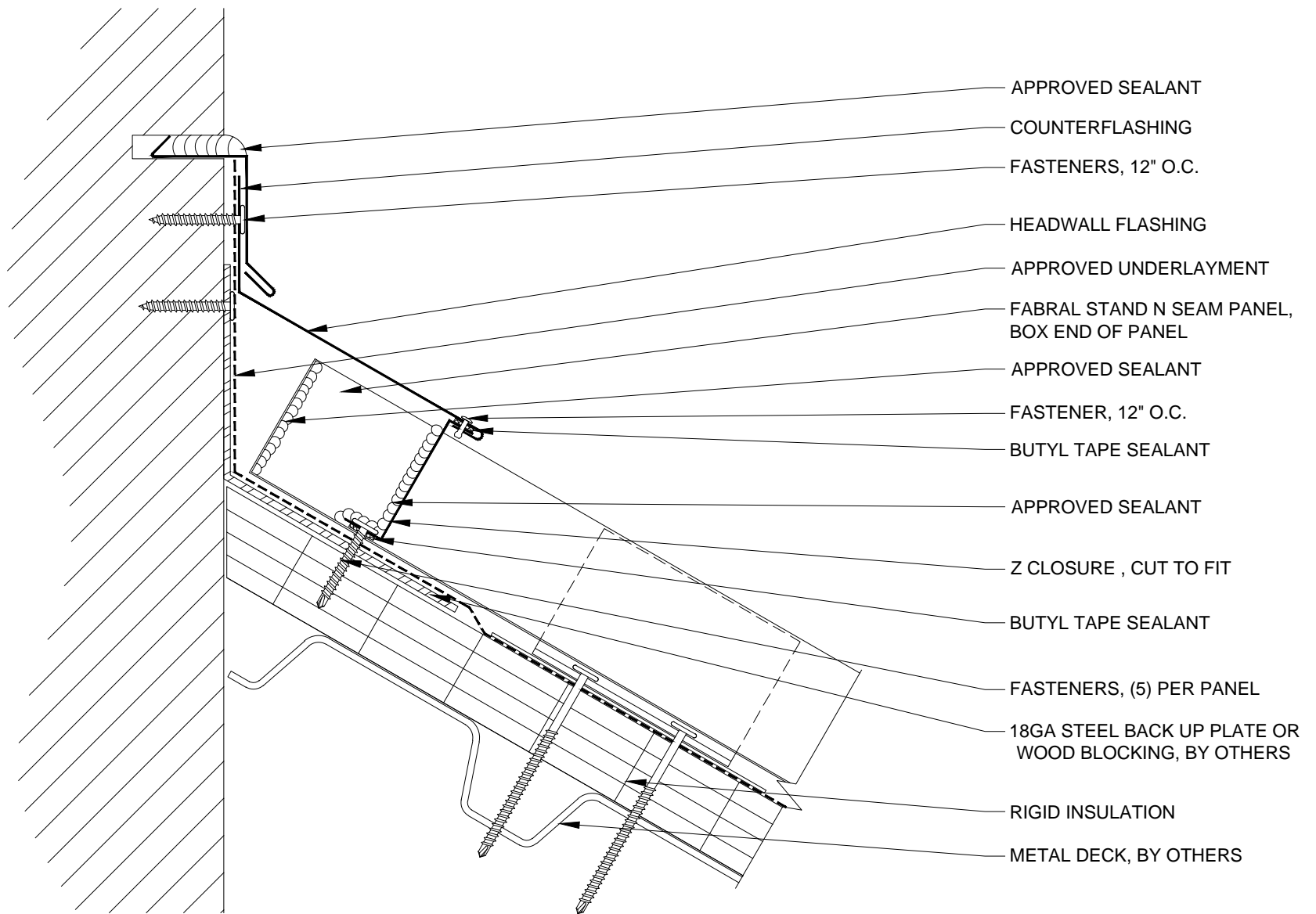
THIS DRAWING IS THE PROPERTY OF FABRAL, INC. THE USE OF THIS DRAWING WITHOUT THE EXPRESS PERMISSION OF FABRAL IS PROHIBITED.

**FABRAL, INC.**  
 3449 Hempland Road  
 Lancaster, PA 17601  
 800-477-2741

**HEADWALL DETAIL (HW-1)**

**STAND 'N SEAM**

Issued:  
 APRIL 2012



**FABRAL®**

Project:

Contractor:

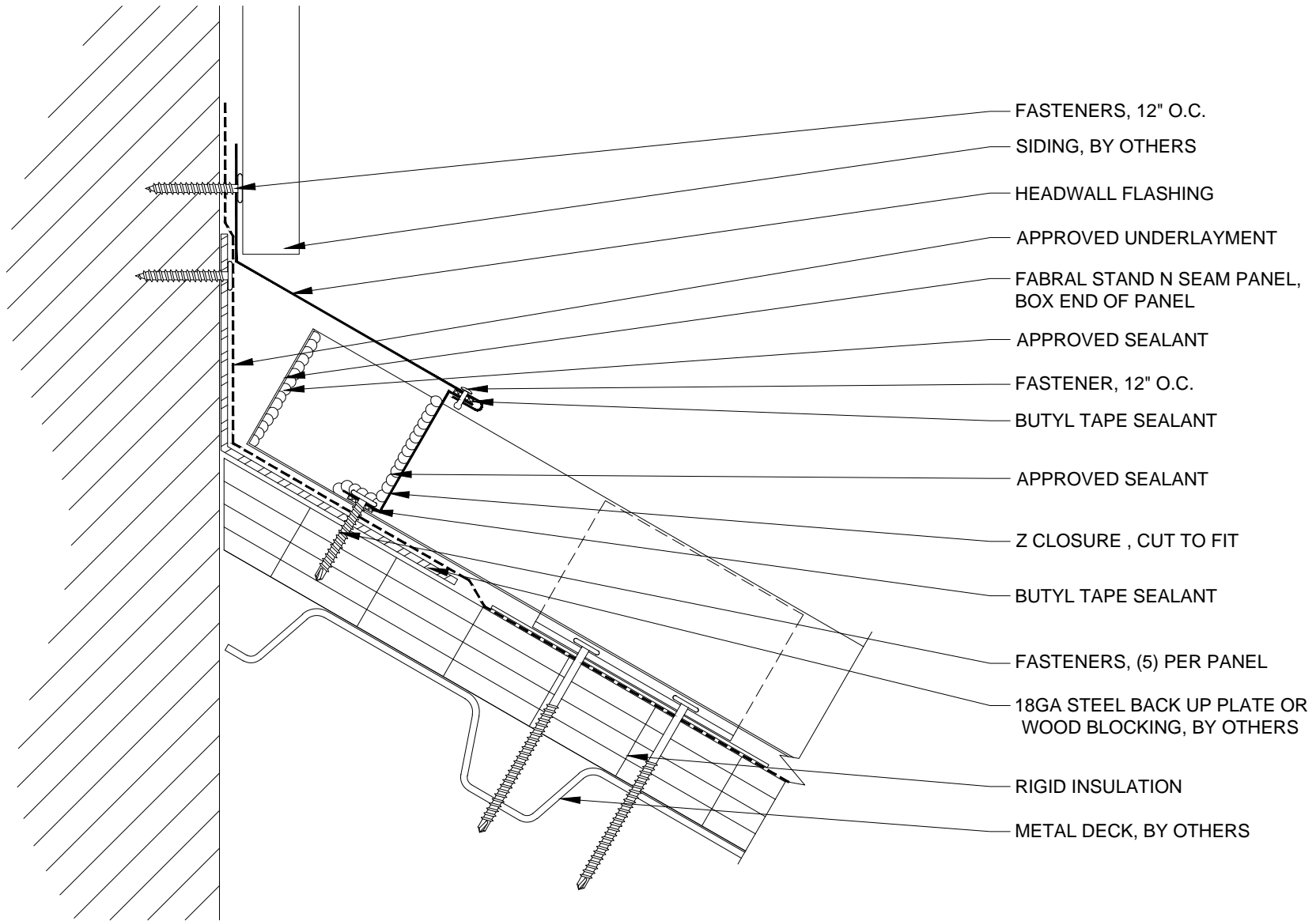
THIS DRAWING IS THE PROPERTY OF FABRAL, INC. THE USE OF THIS DRAWING WITHOUT THE EXPRESS PERMISSION OF FABRAL IS PROHIBITED.

**FABRAL, INC.**  
 3449 Hempland Road  
 Lancaster, PA 17601  
 800-477-2741

**HEADWALL DETAIL (HW-2)**

**STAND 'N SEAM**

Issued:  
 APRIL 2012



**FABRAL®**

Project:

Contractor:

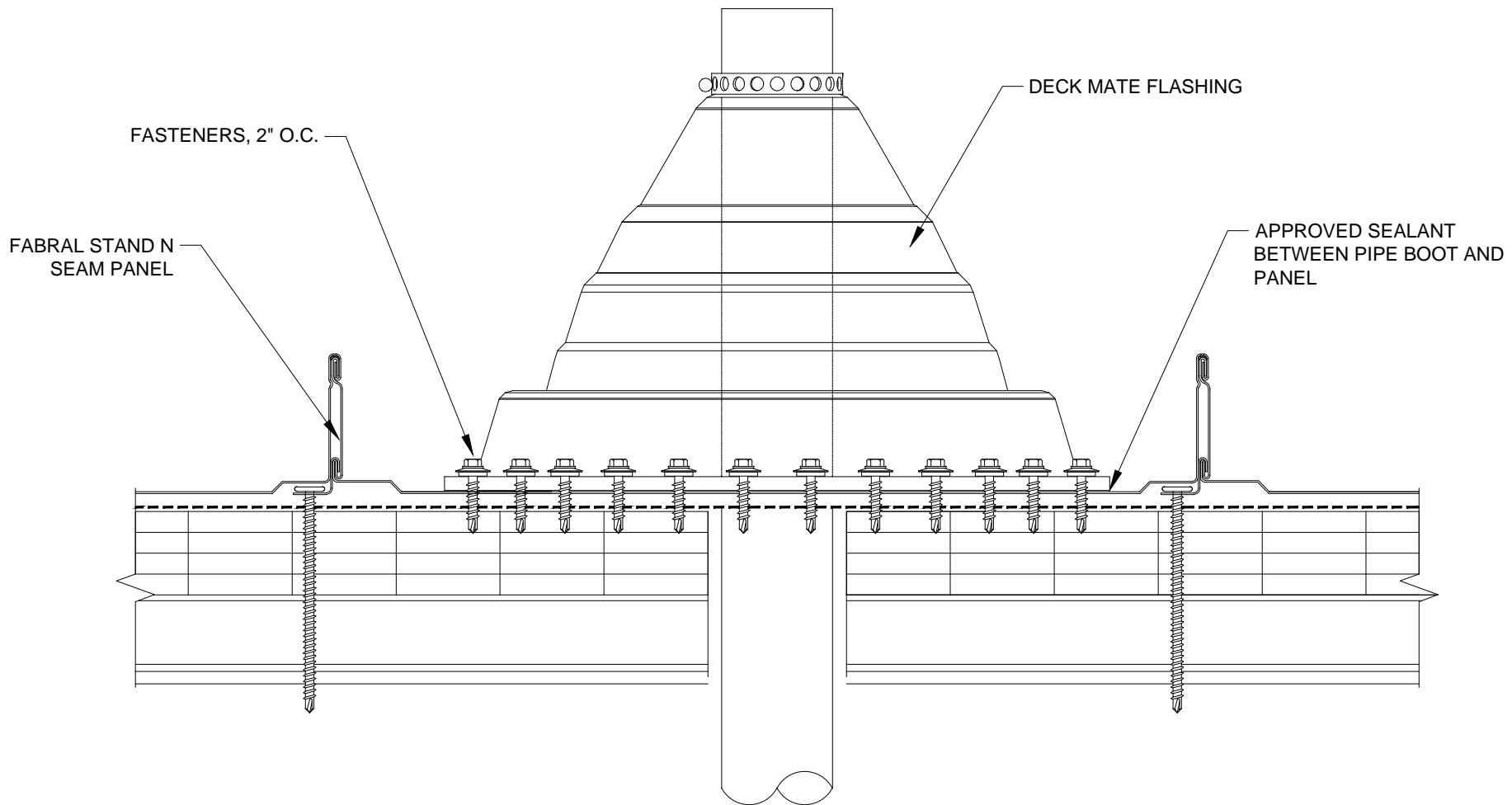
THIS DRAWING IS THE PROPERTY OF FABRAL, INC. THE USE OF THIS DRAWING WITHOUT THE EXPRESS PERMISSION OF FABRAL IS PROHIBITED.

**FABRAL, INC.**  
 3449 Hempland Road  
 Lancaster, PA 17601  
 800-477-2741

**HEADWALL DETAIL (HW-3)**

**STAND 'N SEAM**

Issued:  
 APRIL 2012



**FABRAL**<sup>®</sup>

Project:

Contractor:

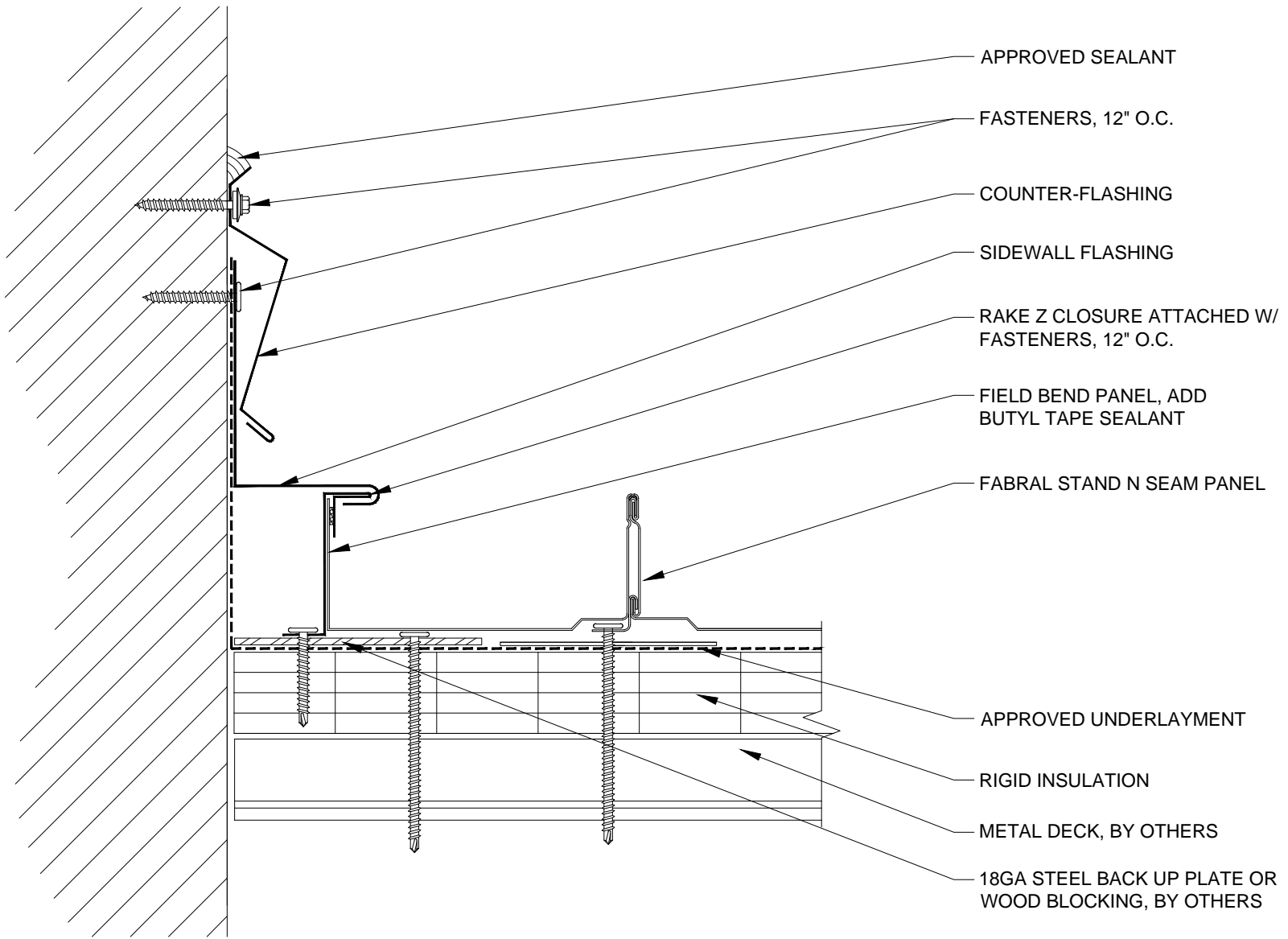
THIS DRAWING IS THE PROPERTY OF FABRAL, INC. THE USE OF THIS DRAWING WITHOUT THE EXPRESS PERMISSION OF FABRAL IS PROHIBITED.

**FABRAL, INC.**  
 3449 Hempland Road  
 Lancaster, PA 17601  
 800-477-2741

**PENETRATION DETAIL (P-1)**

**STAND 'N SEAM**

Issued:  
 APRIL 2012



**FABRAL®**

Project: \_\_\_\_\_

Contractor: \_\_\_\_\_

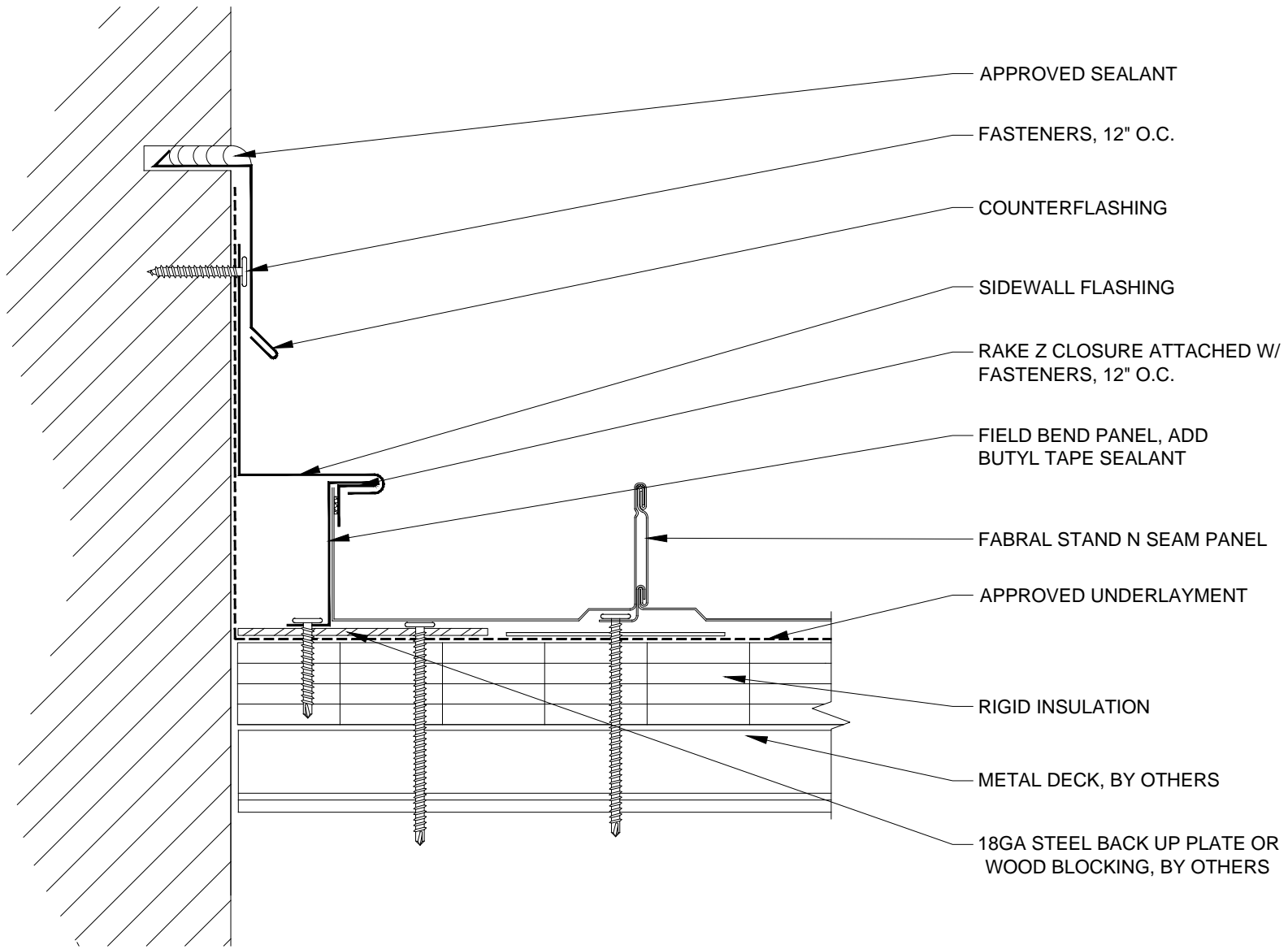
THIS DRAWING IS THE  
PROPERTY OF FABRAL,  
INC. THE USE OF THIS  
DRAWING WITHOUT THE  
EXPRESS PERMISSION OF  
FABRAL IS PROHIBITED.

**FABRAL, INC.**  
3449 Hempland Road  
Lancaster, PA 17601  
800-477-2741

**SIDEWALL DETAIL (SW-1)**

**STAND 'N SEAM**

Issued:  
APRIL 2012



APPROVED SEALANT

FASTENERS, 12" O.C.

COUNTERFLASHING

SIDEWALL FLASHING

RAKE Z CLOSURE ATTACHED W/  
FASTENERS, 12" O.C.

FIELD BEND PANEL, ADD  
BUTYL TAPE SEALANT

FABRAL STAND 'N SEAM PANEL

APPROVED UNDERLAYMENT

RIGID INSULATION

METAL DECK, BY OTHERS

18GA STEEL BACK UP PLATE OR  
WOOD BLOCKING, BY OTHERS

**FABRAL**<sup>®</sup>

Project:

Contractor:

THIS DRAWING IS THE  
PROPERTY OF FABRAL,  
INC. THE USE OF THIS  
DRAWING WITHOUT THE  
EXPRESS PERMISSION OF  
FABRAL IS PROHIBITED.

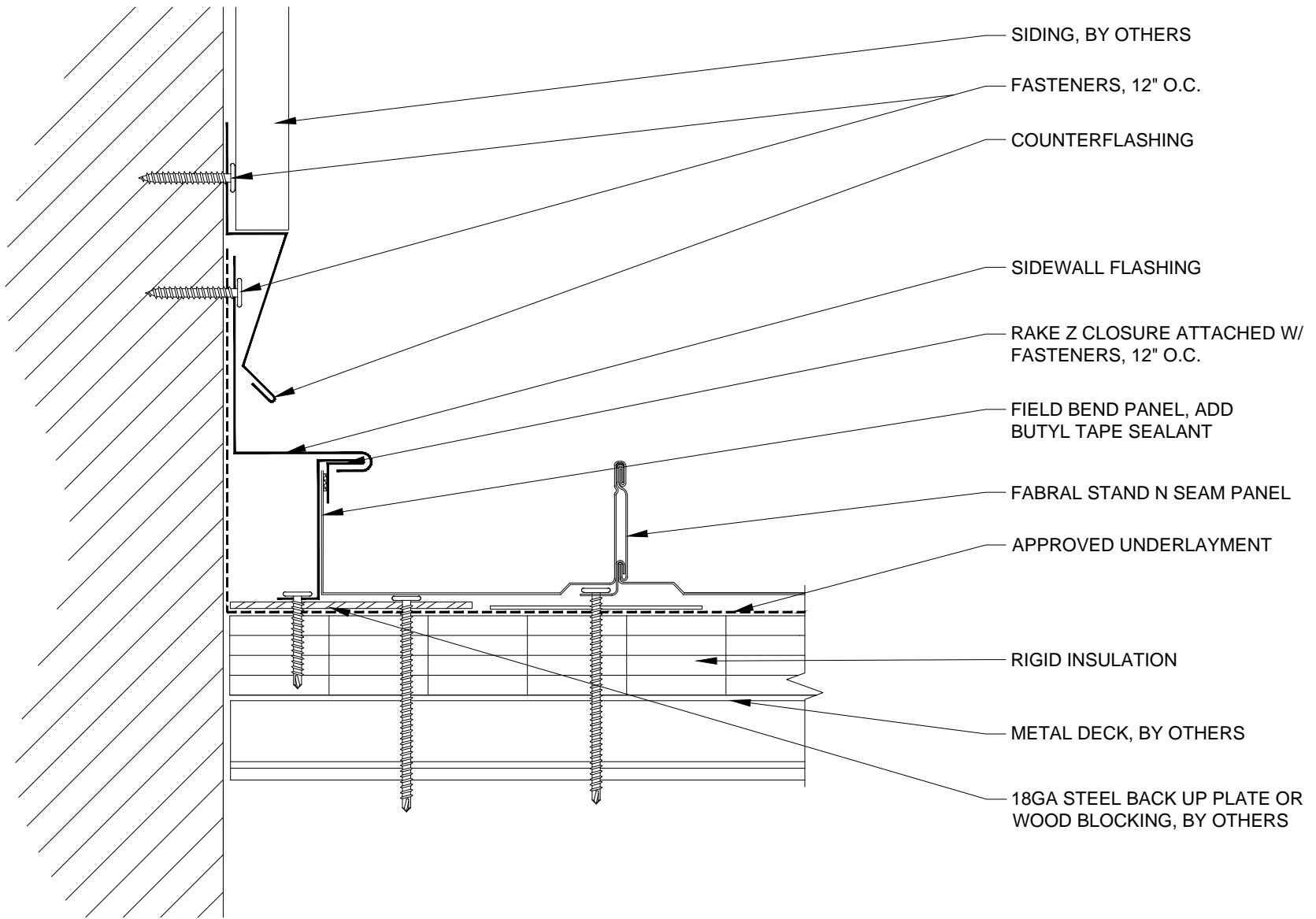
**FABRAL, INC.**  
3449 Hempland Road  
Lancaster, PA 17601  
800-477-2741

**SIDEWALL DETAIL (SW-2)**

**STAND 'N SEAM**

Issued:  
APRIL 2012





**FABRAL®**

Project:

Contractor:

THIS DRAWING IS THE PROPERTY OF FABRAL, INC. THE USE OF THIS DRAWING WITHOUT THE EXPRESS PERMISSION OF FABRAL IS PROHIBITED.

**FABRAL, INC.**  
 3449 Hempland Road  
 Lancaster, PA 17601  
 800-477-2741

**SIDEWALL DETAIL (SW-3)**

**STAND 'N SEAM**

Issued:  
 APRIL 2012