

FABRAL

Project:

Contractor:

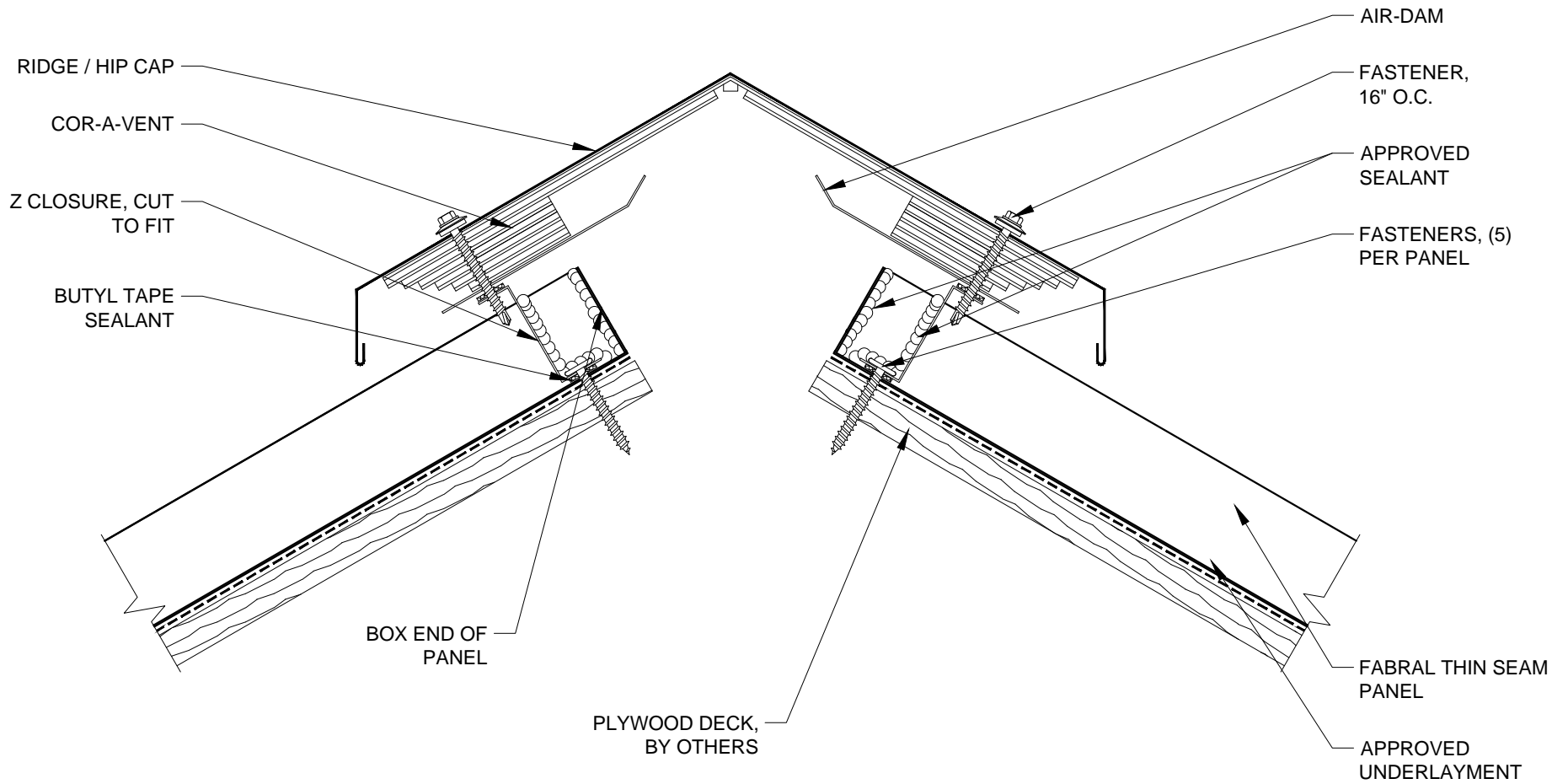
THIS DRAWING IS THE PROPERTY OF FABRAL, INC. THE USE OF THIS DRAWING WITHOUT THE EXPRESS PERMISSION OF FABRAL IS PROHIBITED.

FABRAL, INC.
 3449 Hempland Road
 Lancaster, PA 17601
 800-477-2741

FIXED HIP/RIDGE DETAIL (HR-1)

THIN SEAM

Issued:
 APRIL 2012



FABRAL

Project:

Contractor:

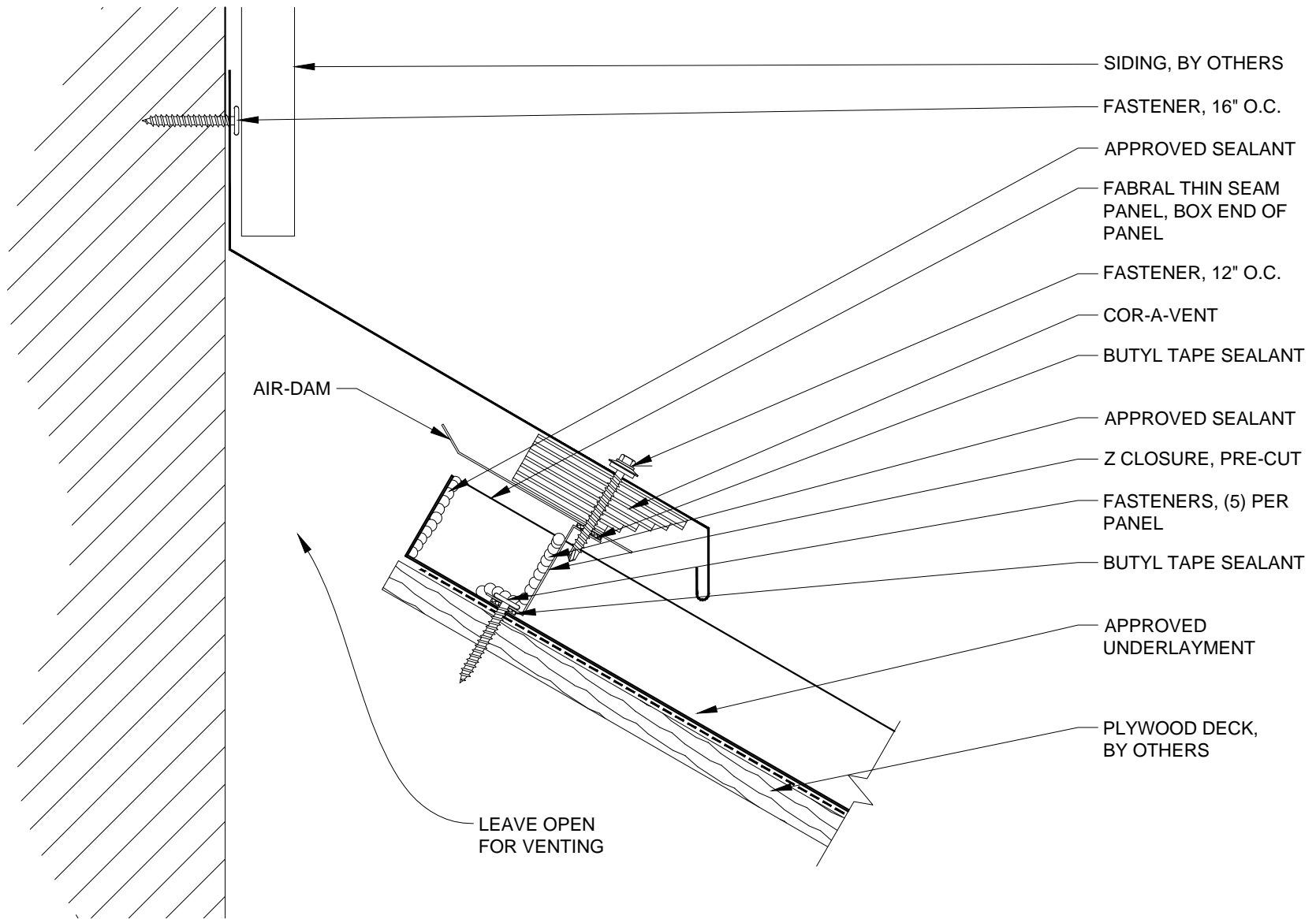
THIS DRAWING IS THE PROPERTY OF FABRAL, INC. THE USE OF THIS DRAWING WITHOUT THE EXPRESS PERMISSION OF FABRAL IS PROHIBITED.

FABRAL, INC.
 3449 Hempland Road
 Lancaster, PA 17601
 800-477-2741

VENTED HIP/RIDGE DETAIL (VHR-1)

THIN SEAM

Issued:
 APRIL 2012



FABRAL

Project:

Contractor:

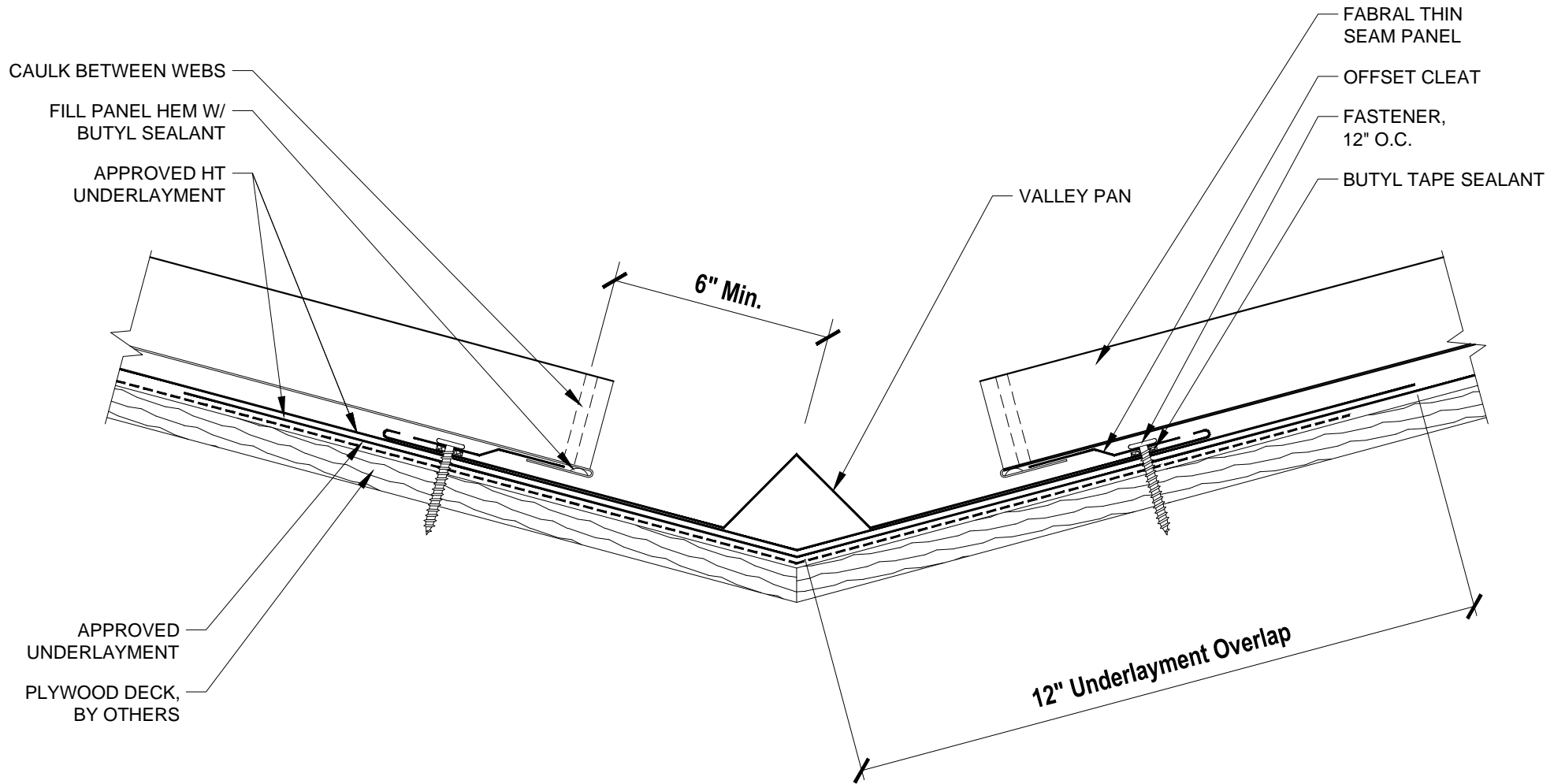
THIS DRAWING IS THE PROPERTY OF FABRAL, INC. THE USE OF THIS DRAWING WITHOUT THE EXPRESS PERMISSION OF FABRAL IS PROHIBITED.

FABRAL, INC.
 3449 Hempland Road
 Lancaster, PA 17601
 800-477-2741

VENTED HEADWALL DETAIL (VHW-1)

THIN SEAM

Issued:
 APRIL 2012



FABRAL

Project:

Contractor:

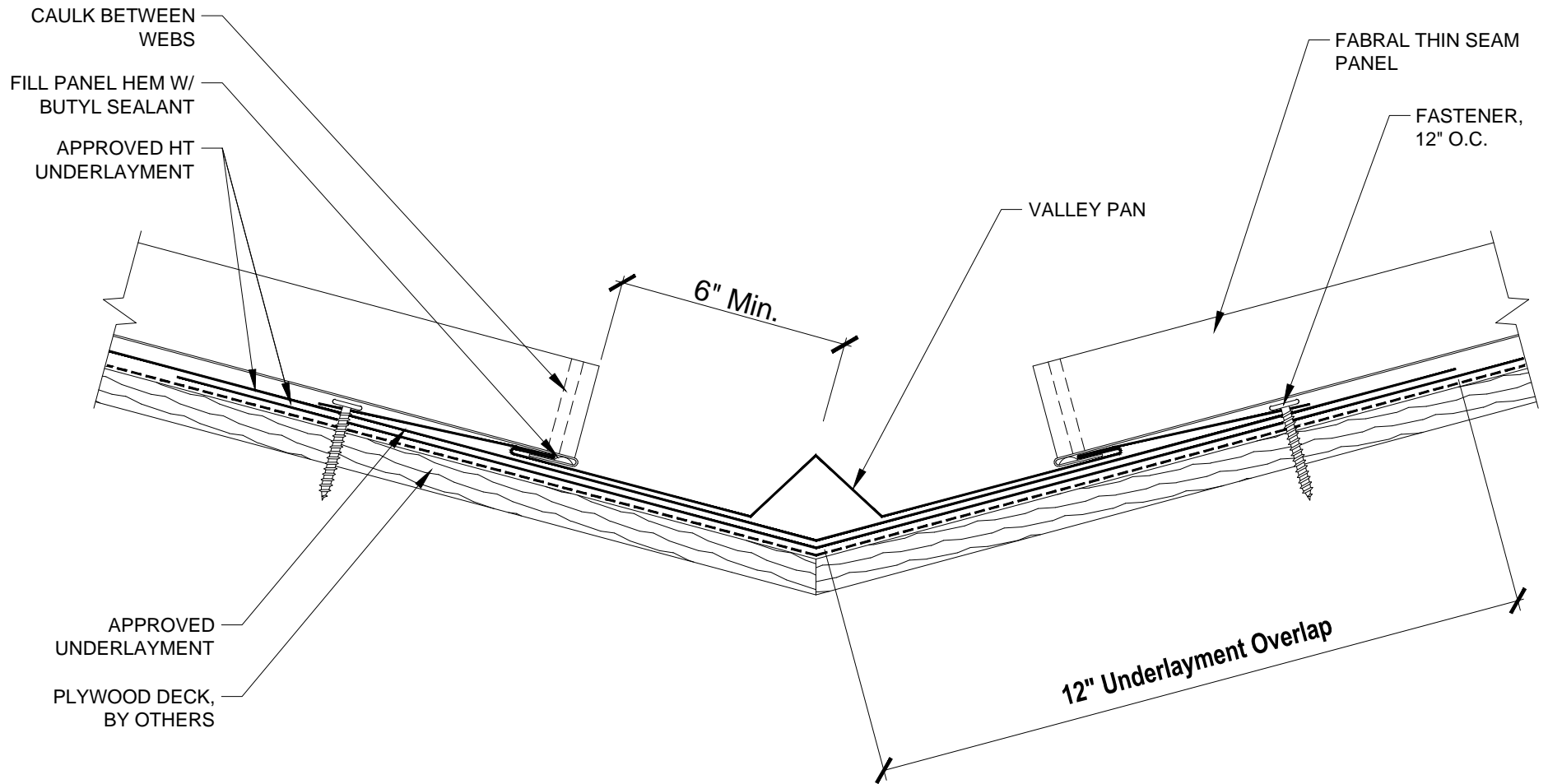
THIS DRAWING IS THE PROPERTY OF FABRAL, INC. THE USE OF THIS DRAWING WITHOUT THE EXPRESS PERMISSION OF FABRAL IS PROHIBITED.

FABRAL, INC.
 3449 Hempland Road
 Lancaster, PA 17601
 800-477-2741

VALLEY DETAIL (V-1)

THIN SEAM

Issued:
 APRIL 2012



FABRAL

Project:

Contractor:

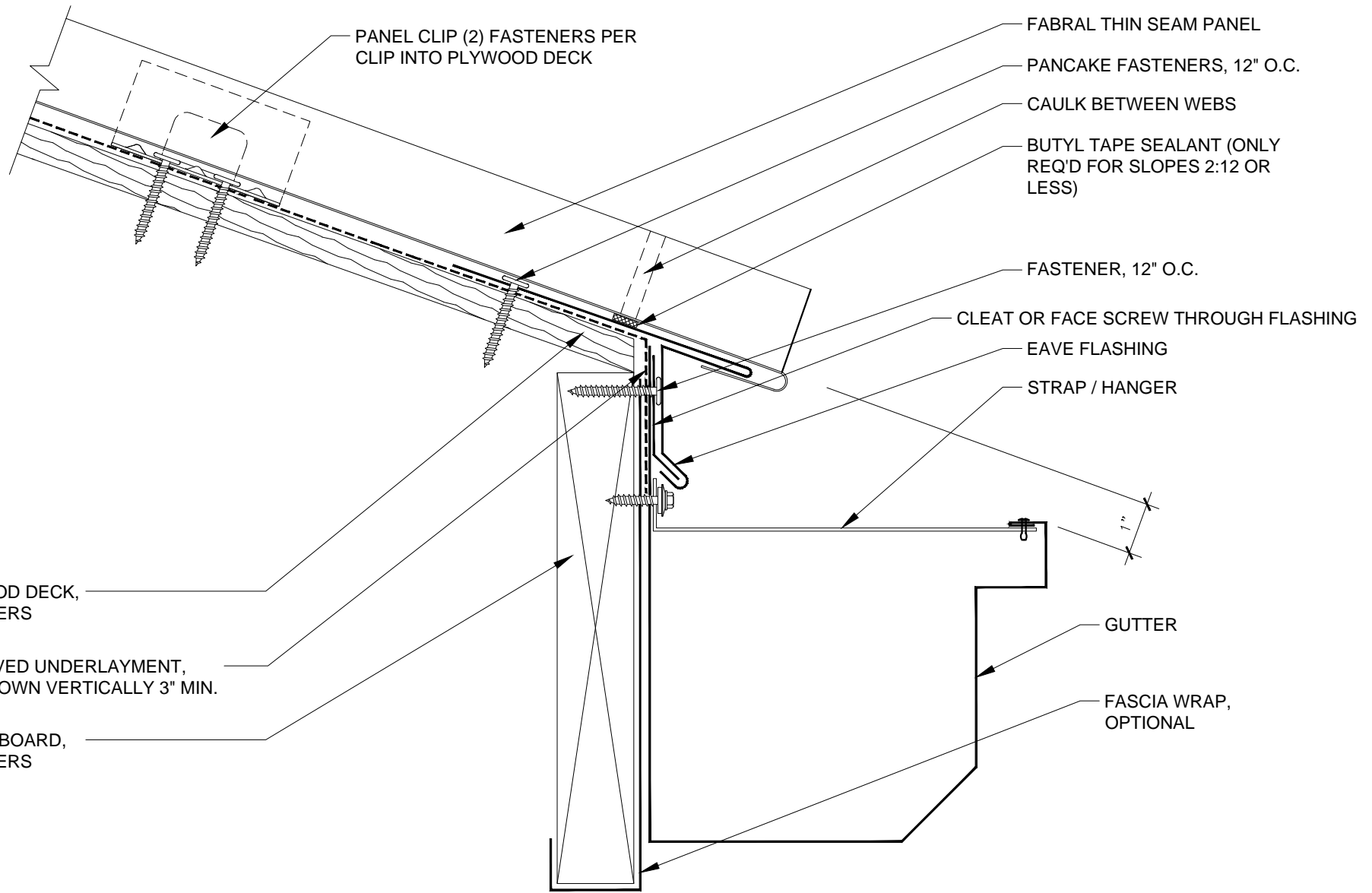
THIS DRAWING IS THE PROPERTY OF FABRAL, INC. THE USE OF THIS DRAWING WITHOUT THE EXPRESS PERMISSION OF FABRAL IS PROHIBITED.

FABRAL, INC.
 3449 Hempland Road
 Lancaster, PA 17601
 800-477-2741

VALLEY DETAIL (V-2)

THIN SEAM

Issued:
 APRIL 2012



FABRAL

Project:

Contractor:

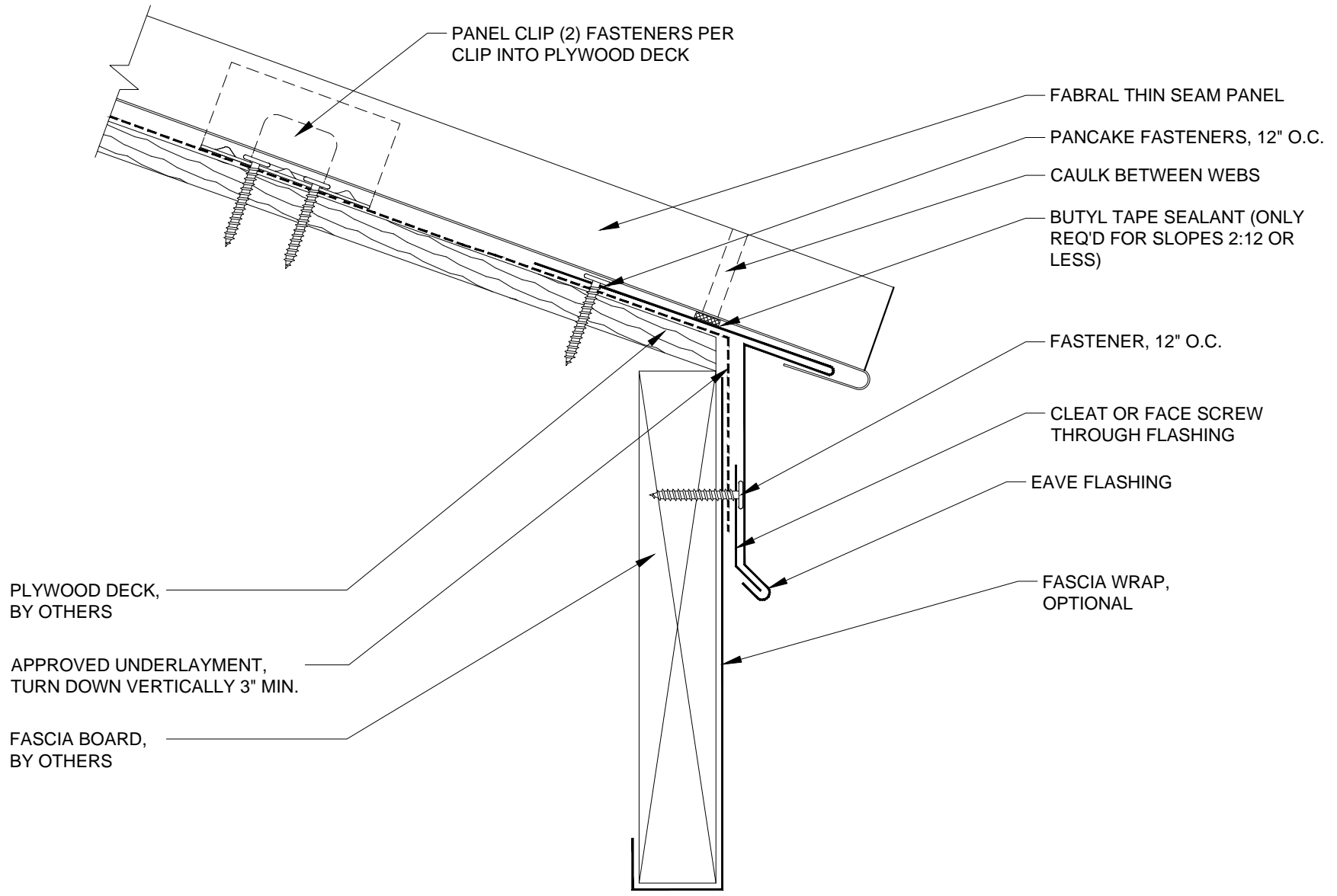
SLIDING EAVE W/ GUTTER DETAIL (EG-1)

THIS DRAWING IS THE PROPERTY OF FABRAL, INC. THE USE OF THIS DRAWING WITHOUT THE EXPRESS PERMISSION OF FABRAL IS PROHIBITED.

FABRAL, INC.
 3449 Hempland Road
 Lancaster, PA 17601
 800-477-2741

THIN SEAM

Issued:
 APRIL 2012



FABRAL

Project:

Contractor:

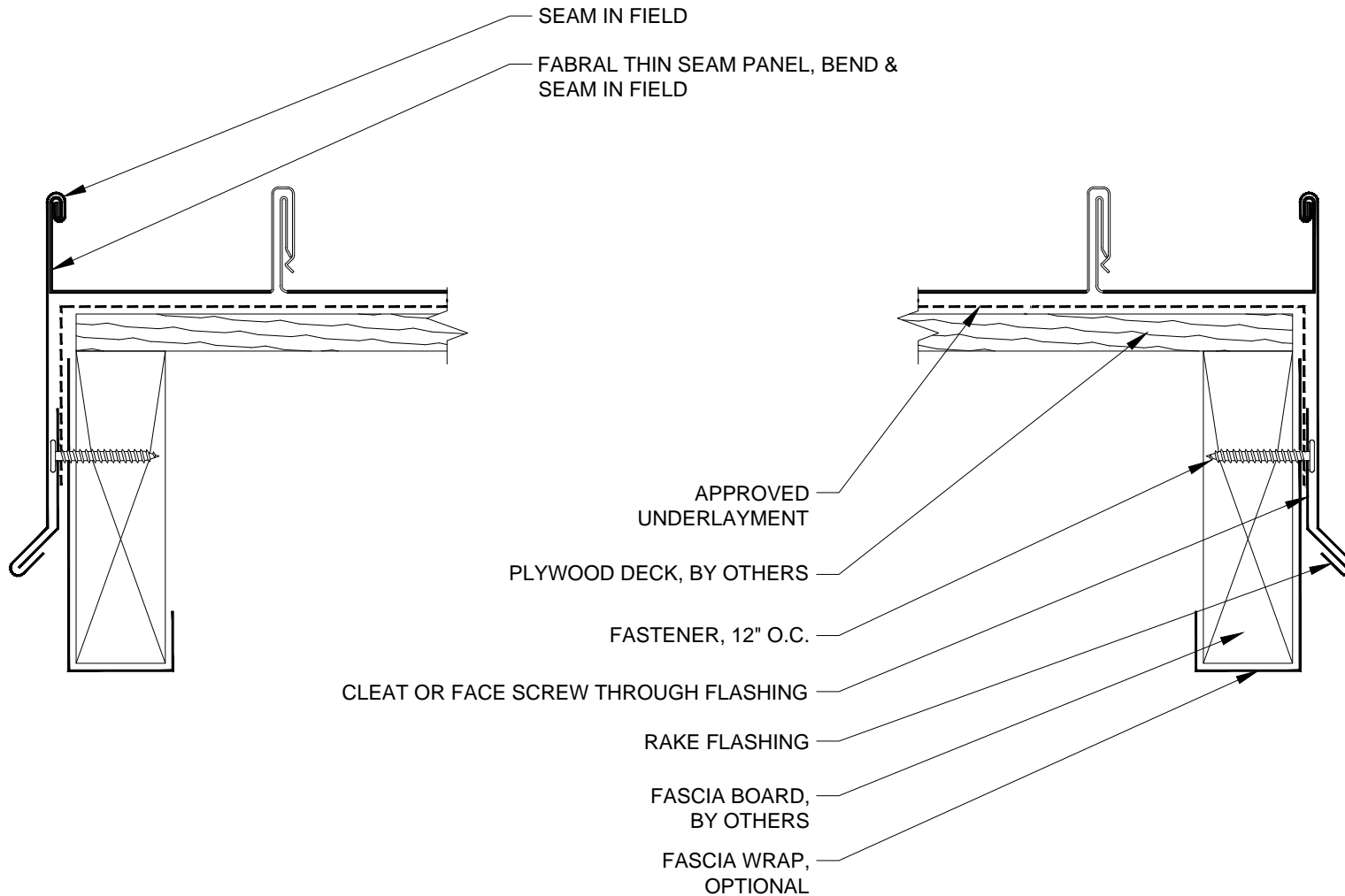
THIS DRAWING IS THE PROPERTY OF FABRAL, INC. THE USE OF THIS DRAWING WITHOUT THE EXPRESS PERMISSION OF FABRAL IS PROHIBITED.

FABRAL, INC.
 3449 Hempland Road
 Lancaster, PA 17601
 800-477-2741

SLIDING EAVE DETAIL (E-1)

THIN SEAM

Issued:
 APRIL 2012



FABRAL

Project:

Contractor:

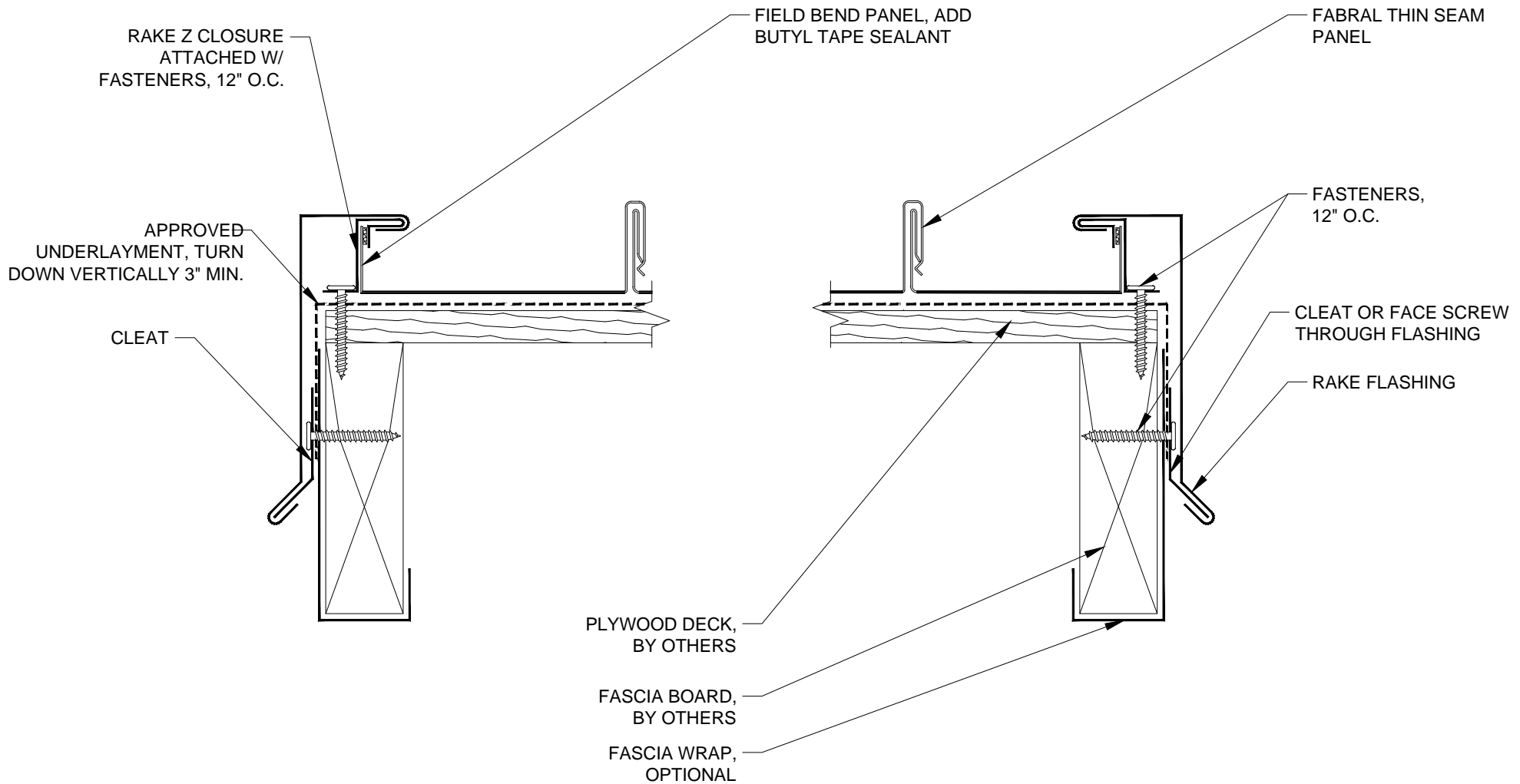
THIS DRAWING IS THE PROPERTY OF FABRAL, INC. THE USE OF THIS DRAWING WITHOUT THE EXPRESS PERMISSION OF FABRAL IS PROHIBITED.

FABRAL, INC.
 3449 Hempland Road
 Lancaster, PA 17601
 800-477-2741

SLIDING GABLE DETAIL (G-1)

THIN SEAM

Issued:
 APRIL 2012



FABRAL

Project:

Contractor:

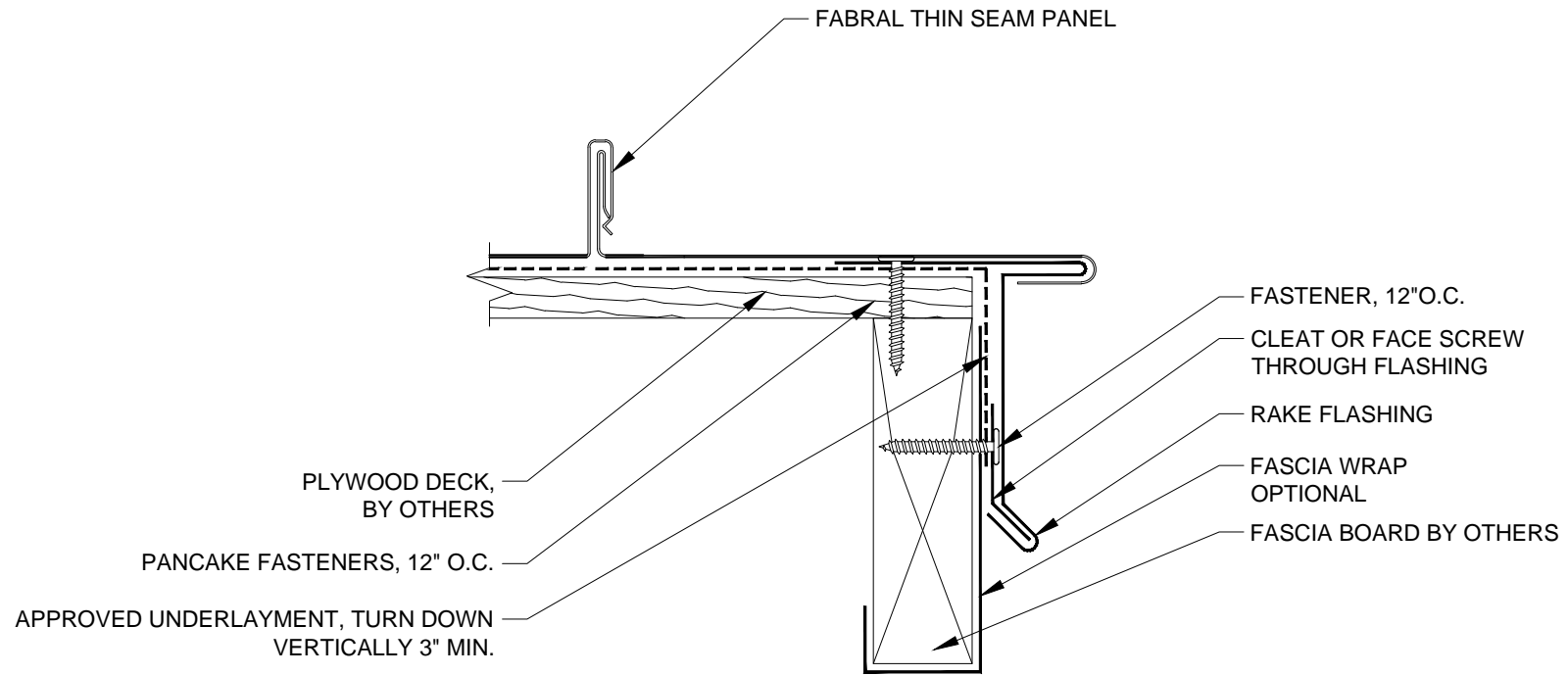
THIS DRAWING IS THE PROPERTY OF FABRAL, INC. THE USE OF THIS DRAWING WITHOUT THE EXPRESS PERMISSION OF FABRAL IS PROHIBITED.

FABRAL, INC.
 3449 Hempland Road
 Lancaster, PA 17601
 800-477-2741

SLIDING GABLE DETAIL (G-2)

THIN SEAM

Issued:
 APRIL 2012



FABRAL

Project:

Contractor:

THIS DRAWING IS THE PROPERTY OF FABRAL, INC. THE USE OF THIS DRAWING WITHOUT THE EXPRESS PERMISSION OF FABRAL IS PROHIBITED.

FABRAL, INC.
 3449 Hempland Road
 Lancaster, PA 17601
 800-477-2741

SLIDING GABLE DETAIL (G-3)

THIN SEAM

Issued:
 APRIL 2012

FABRAL THIN SEAM PANEL, BOX
PANEL END

FASTENER, 16" O.C.

BUTYL TAPE SEALANT

Z CLOSURE CUT TO FIT, SET IN
BUTYL TAPE SEALANT, (5)
FASTENERS PER PANEL. FILL
ALL VOIDS WITH APPROVED
SEALANT.

PANEL CLIP (2) FASTENERS PER
CLIP INTO PLYWOOD DECK

PLYWOOD DECK BY OTHERS

STRUCTURE BY OTHERS

PEAK FLASHING

APPROVED SEALANT

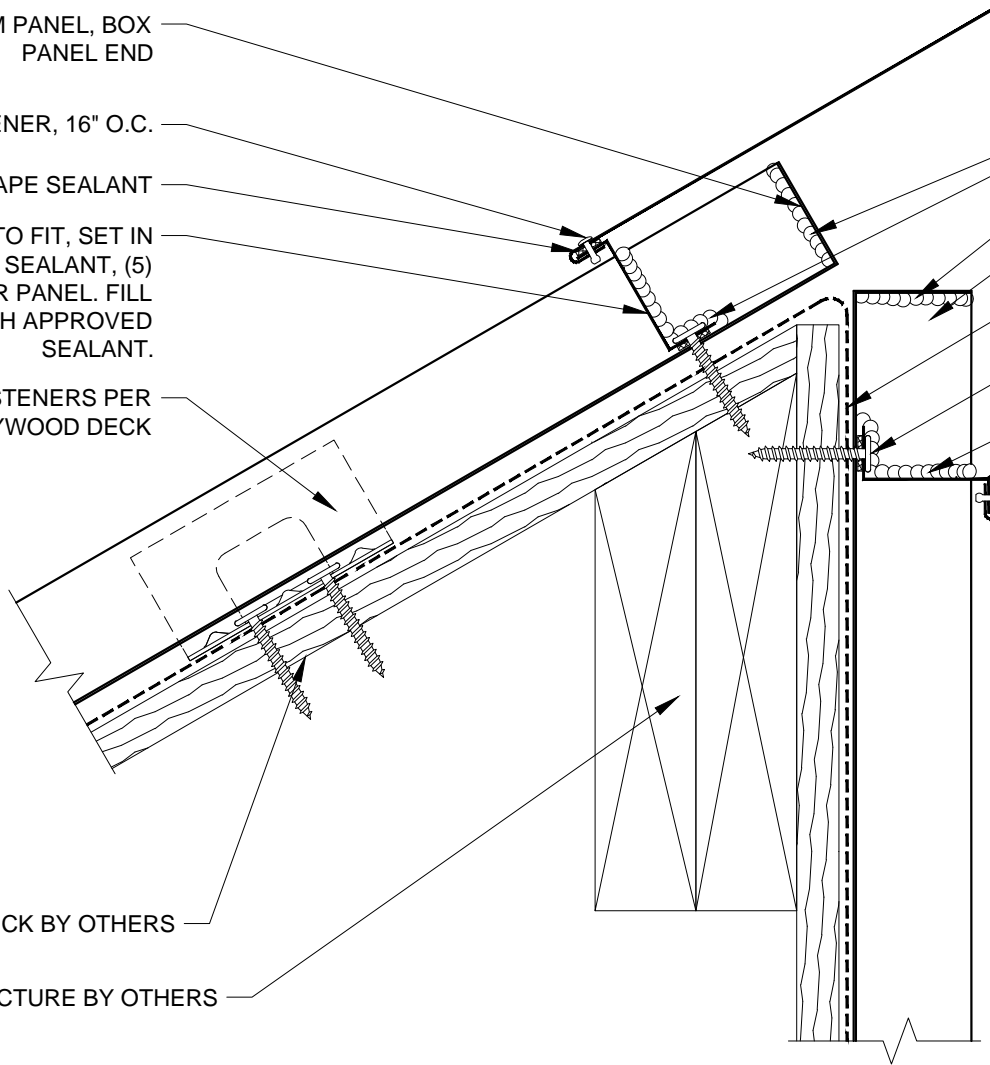
FABRAL THIN SEAM PANEL, BOX
PANEL END

APPROVED UNDERLAYMENT, TURN
DOWN VERTICALLY 3" MIN.

SD FASTENERS, (5)
PER PANEL

APPROVED SEALANT

Z CLOSURE SET IN BUTYL TAPE
SEALANT ATTACHED W/ (5)
FASTENERS PER PANEL



FABRAL

Project:

Contractor:

THIS DRAWING IS THE
PROPERTY OF FABRAL,
INC. THE USE OF THIS
DRAWING WITHOUT THE
EXPRESS PERMISSION OF
FABRAL IS PROHIBITED.

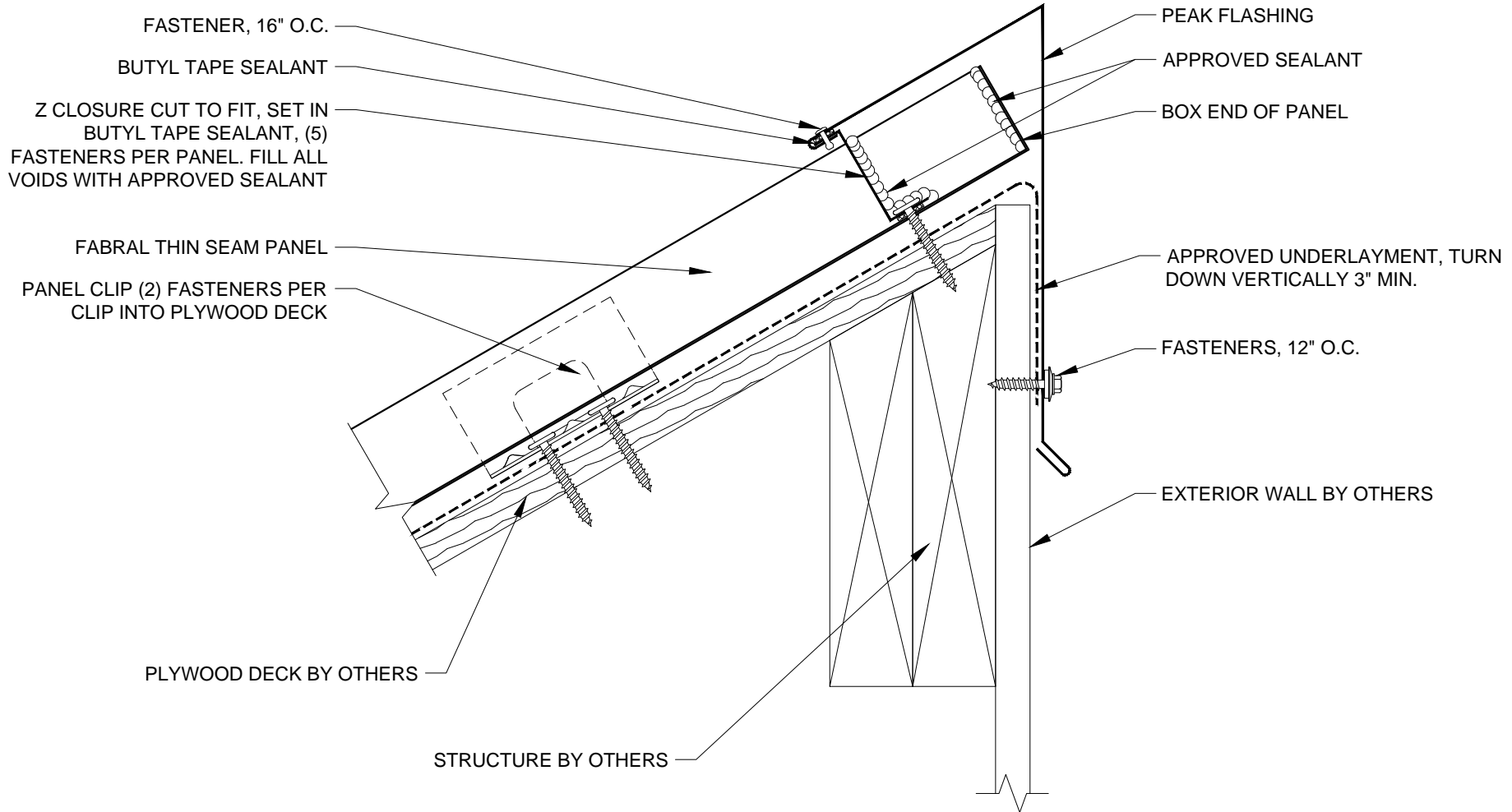
FABRAL, INC.
3449 Hempland Road
Lancaster, PA 17601
800-477-2741

HIGH SIDE EAVE DETAIL (HSE-1)

THIN SEAM

Issued:

APRIL 2012



FABRAL

Project:

Contractor:

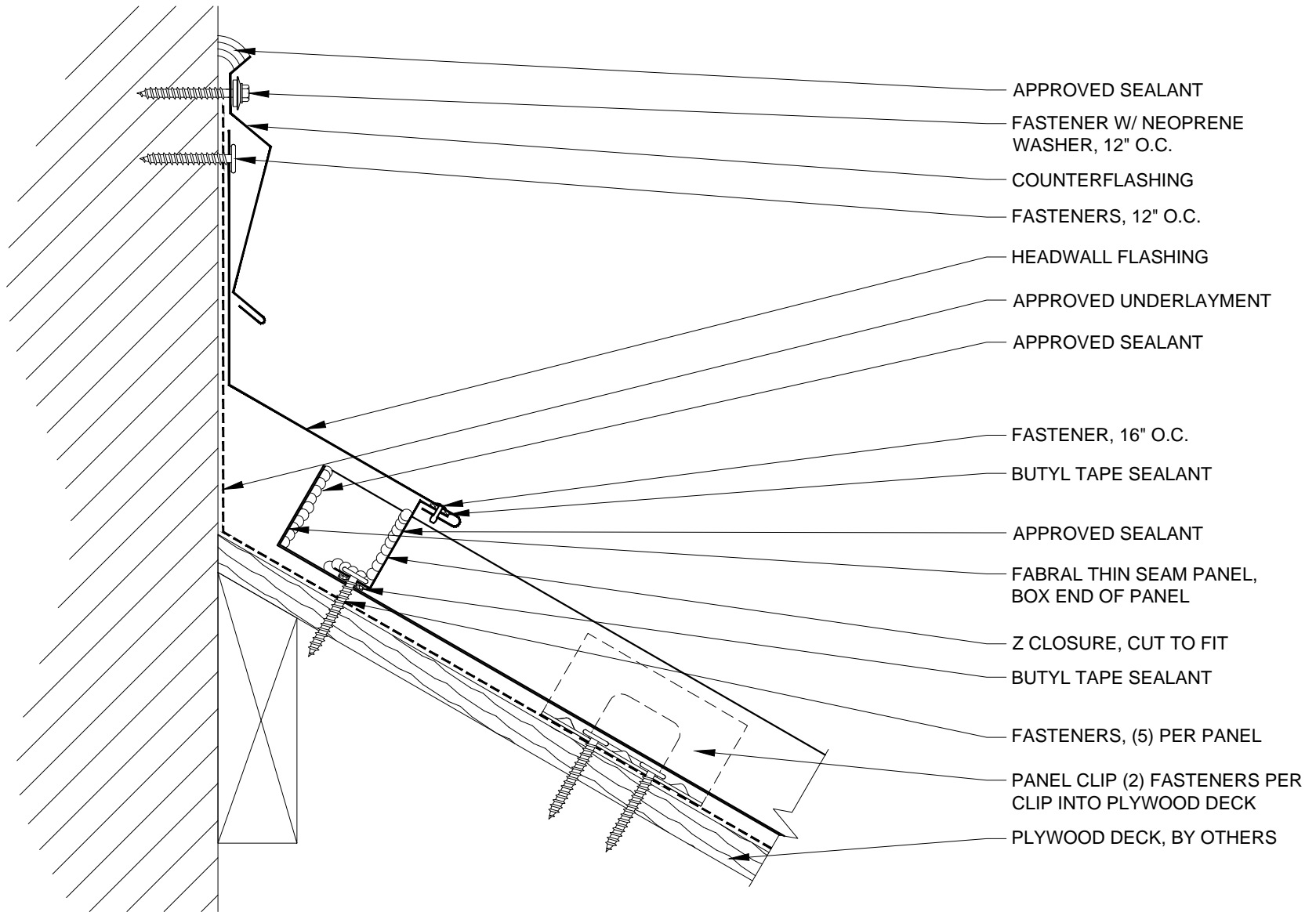
THIS DRAWING IS THE PROPERTY OF FABRAL, INC. THE USE OF THIS DRAWING WITHOUT THE EXPRESS PERMISSION OF FABRAL IS PROHIBITED.

FABRAL, INC.
 3449 Hempland Road
 Lancaster, PA 17601
 800-477-2741

HIGH SIDE EAVE DETAIL (HSE-2)

THIN SEAM

Issued:
 APRIL 2012



FABRAL

Project:

Contractor:

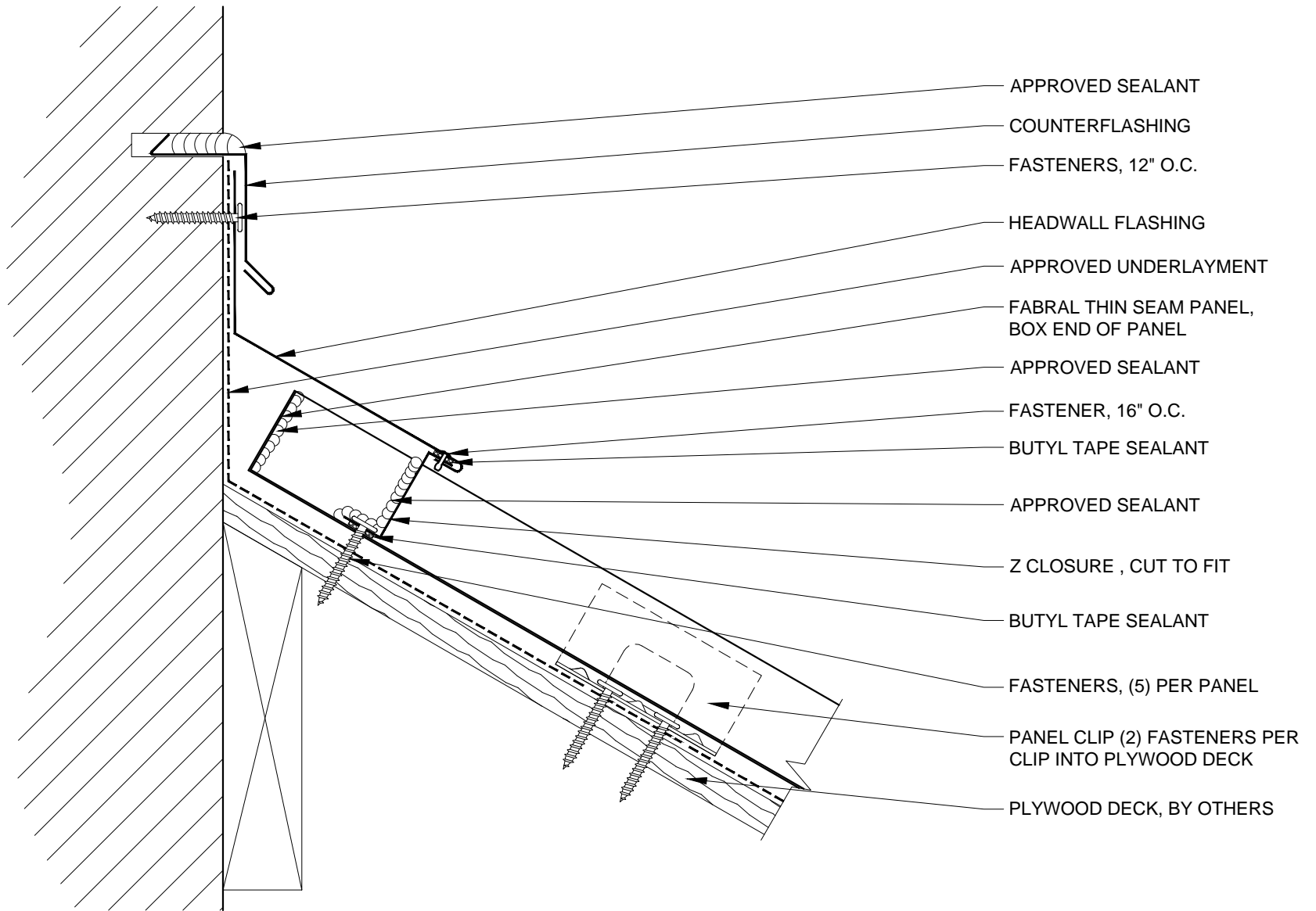
HEADWALL (ENDWALL) DETAIL (HW-1)

THIS DRAWING IS THE PROPERTY OF FABRAL, INC. THE USE OF THIS DRAWING WITHOUT THE EXPRESS PERMISSION OF FABRAL IS PROHIBITED.

FABRAL, INC.
 3449 Hempland Road
 Lancaster, PA 17601
 800-477-2741

THIN SEAM

Issued:
 APRIL 2012



- APPROVED SEALANT
- COUNTERFLASHING
- FASTENERS, 12" O.C.
- HEADWALL FLASHING
- APPROVED UNDERLAYMENT
- FABRAL THIN SEAM PANEL, BOX END OF PANEL
- APPROVED SEALANT
- FASTENER, 16" O.C.
- BUTYL TAPE SEALANT
- APPROVED SEALANT
- Z CLOSURE , CUT TO FIT
- BUTYL TAPE SEALANT
- FASTENERS, (5) PER PANEL
- PANEL CLIP (2) FASTENERS PER CLIP INTO PLYWOOD DECK
- PLYWOOD DECK, BY OTHERS

FABRAL

Project:

Contractor:

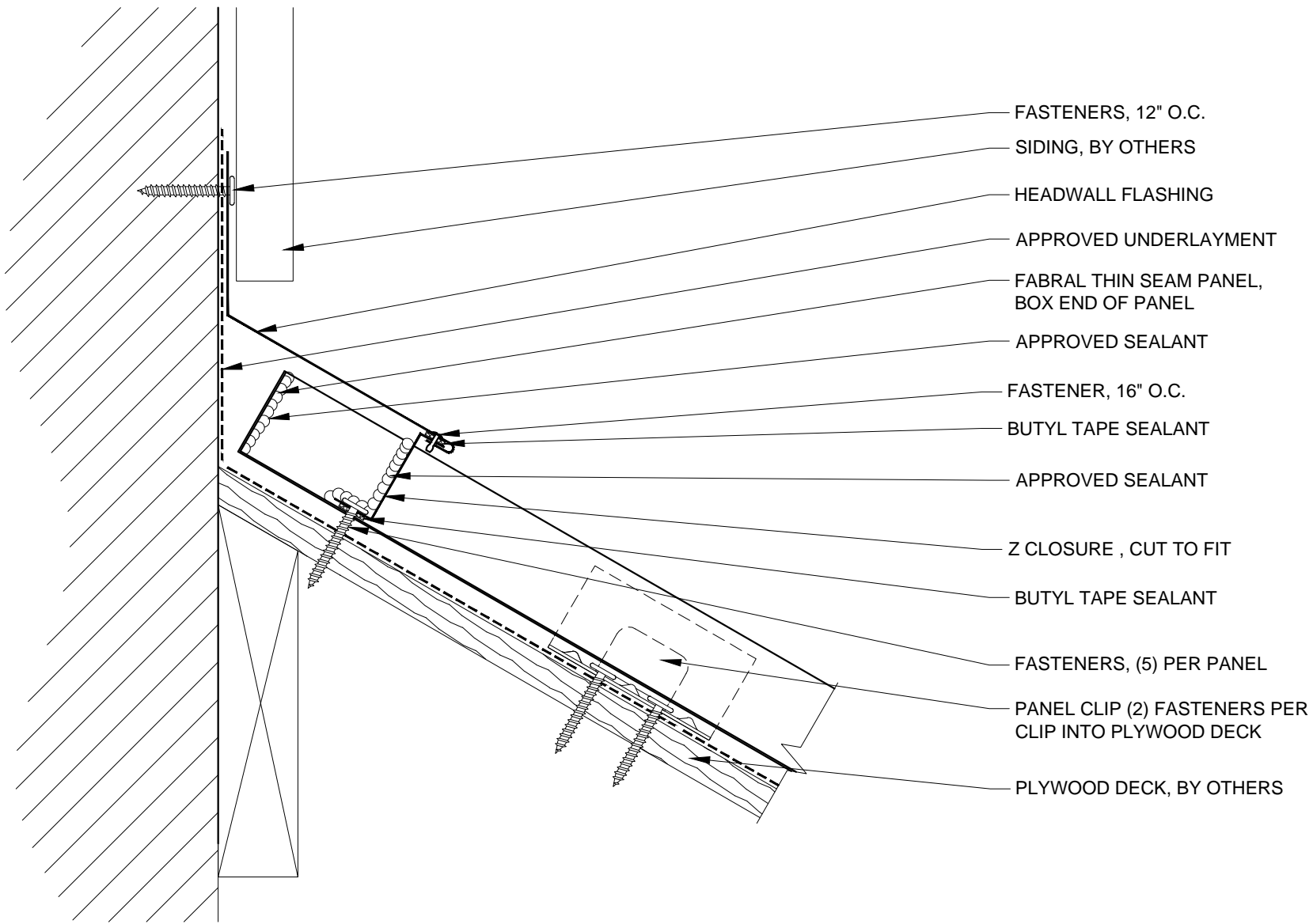
THIS DRAWING IS THE PROPERTY OF FABRAL, INC. THE USE OF THIS DRAWING WITHOUT THE EXPRESS PERMISSION OF FABRAL IS PROHIBITED.

FABRAL, INC.
 3449 Hempland Road
 Lancaster, PA 17601
 800-477-2741

HEADWALL (ENDWALL) DETAIL (HW-2)

THIN SEAM

Issued:
 APRIL 2012



- FASTENERS, 12" O.C.
- SIDING, BY OTHERS
- HEADWALL FLASHING
- APPROVED UNDERLAYMENT
- FABRAL THIN SEAM PANEL, BOX END OF PANEL
- APPROVED SEALANT
- FASTENER, 16" O.C.
- BUTYL TAPE SEALANT
- APPROVED SEALANT
- Z CLOSURE , CUT TO FIT
- BUTYL TAPE SEALANT
- FASTENERS, (5) PER PANEL
- PANEL CLIP (2) FASTENERS PER CLIP INTO PLYWOOD DECK
- PLYWOOD DECK, BY OTHERS

FABRAL

Project:

Contractor:

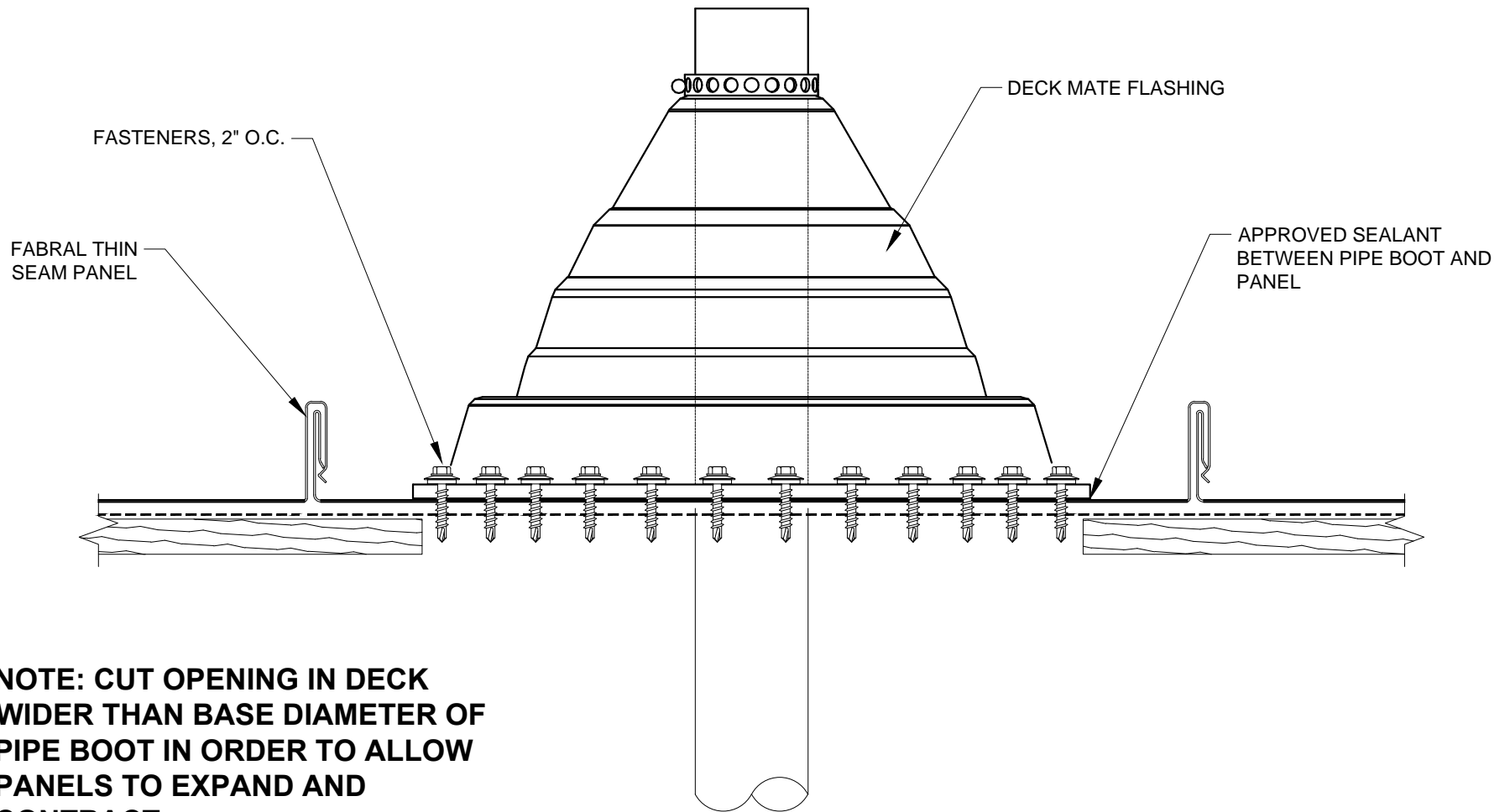
THIS DRAWING IS THE PROPERTY OF FABRAL, INC. THE USE OF THIS DRAWING WITHOUT THE EXPRESS PERMISSION OF FABRAL IS PROHIBITED.

FABRAL, INC.
 3449 Hempland Road
 Lancaster, PA 17601
 800-477-2741

HEADWALL (ENDWALL) DETAIL (HW-3)

THIN SEAM

Issued:
 APRIL 2012



NOTE: CUT OPENING IN DECK WIDER THAN BASE DIAMETER OF PIPE BOOT IN ORDER TO ALLOW PANELS TO EXPAND AND CONTRACT.

FABRAL

Project:

Contractor:

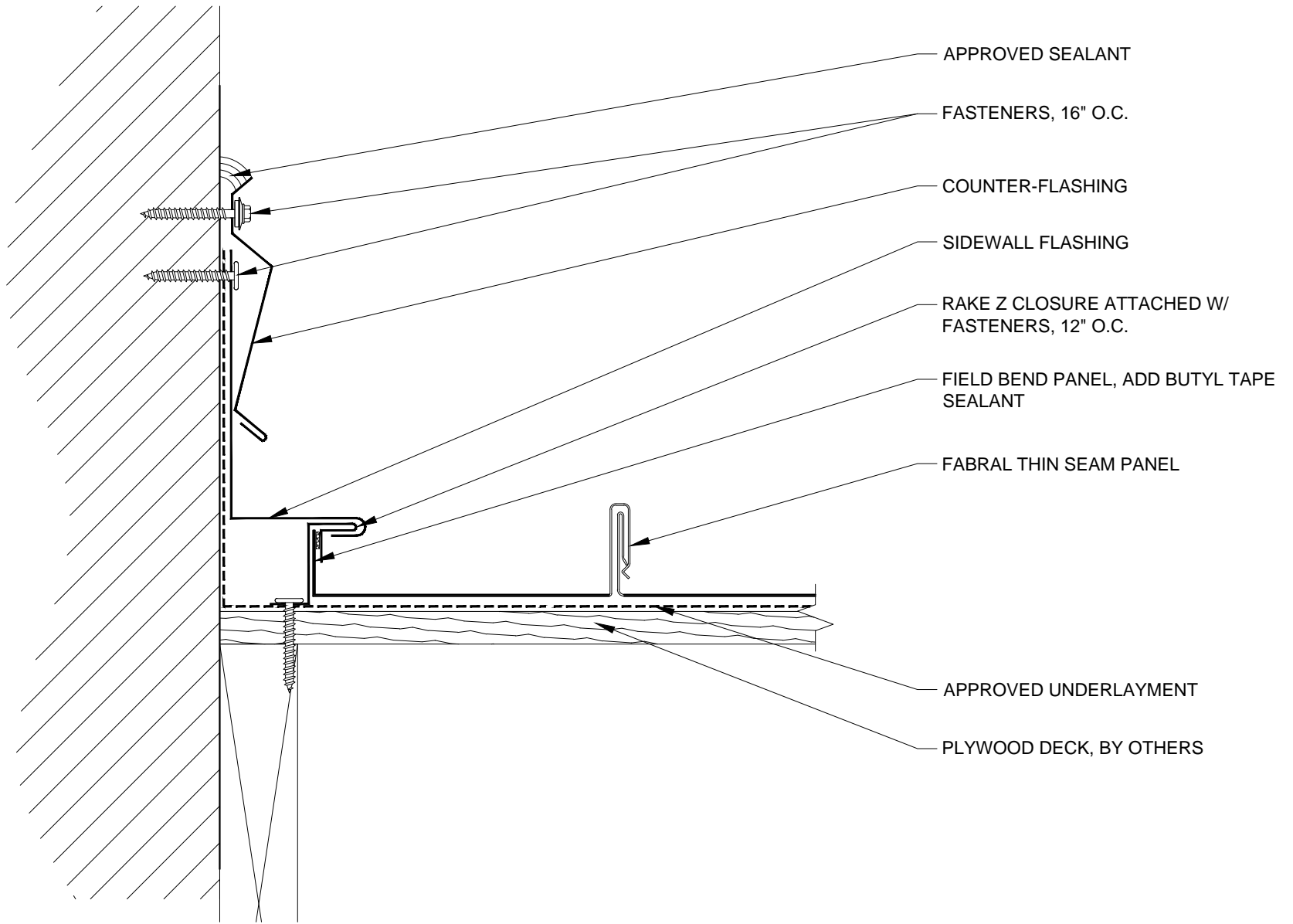
THIS DRAWING IS THE PROPERTY OF FABRAL, INC. THE USE OF THIS DRAWING WITHOUT THE EXPRESS PERMISSION OF FABRAL IS PROHIBITED.

FABRAL, INC.
 3449 Hempland Road
 Lancaster, PA 17601
 800-477-2741

PENETRATION DETAIL (P-1)

THIN SEAM

Issued:
 APRIL 2012



FABRAL

Project:

Contractor:

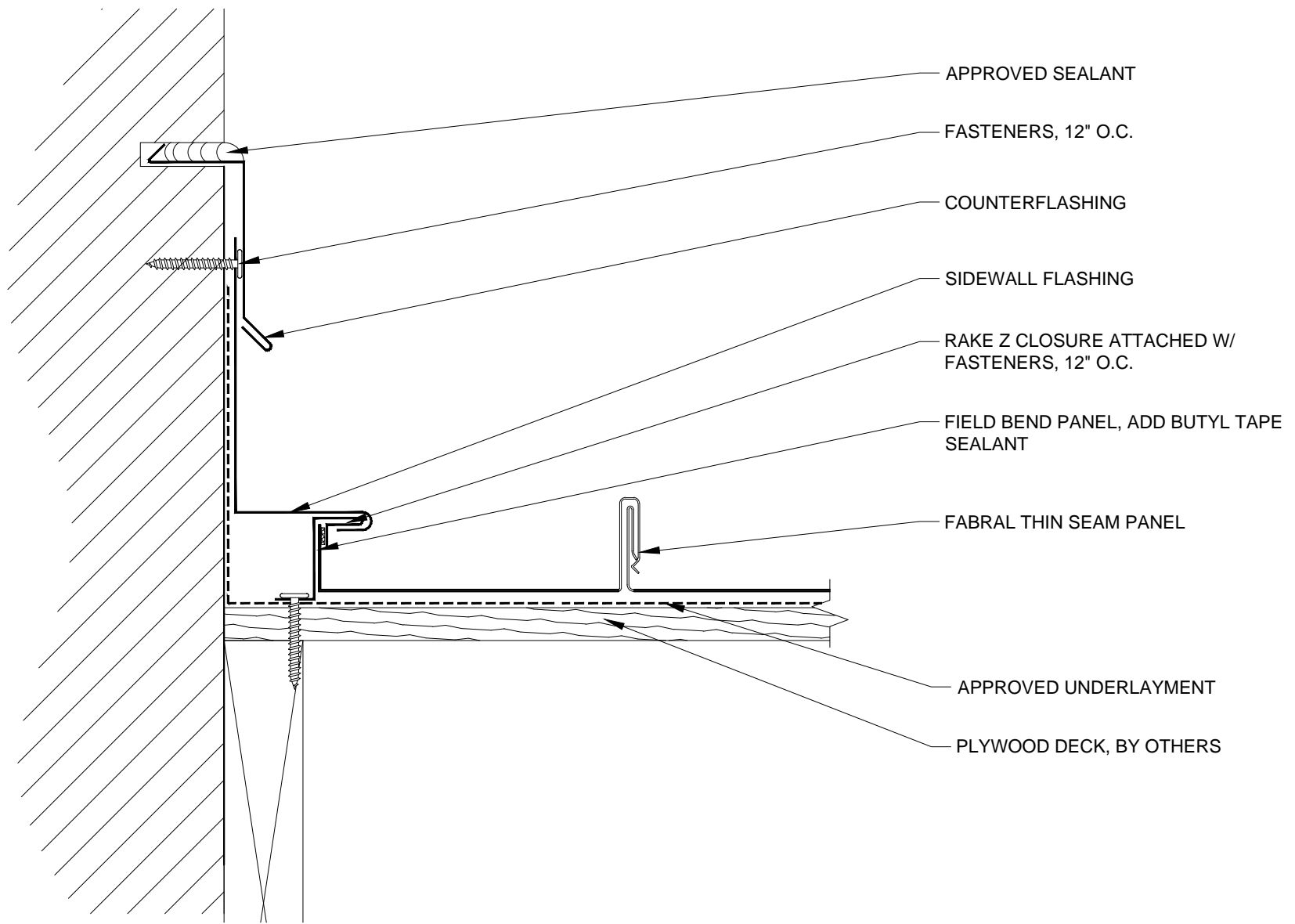
THIS DRAWING IS THE PROPERTY OF FABRAL, INC. THE USE OF THIS DRAWING WITHOUT THE EXPRESS PERMISSION OF FABRAL IS PROHIBITED.

FABRAL, INC.
 3449 Hempland Road
 Lancaster, PA 17601
 800-477-2741

SIDEWALL DETAIL (SW-1)

THIN SEAM

Issued:
 APRIL 2012



FABRAL

Project:

Contractor:

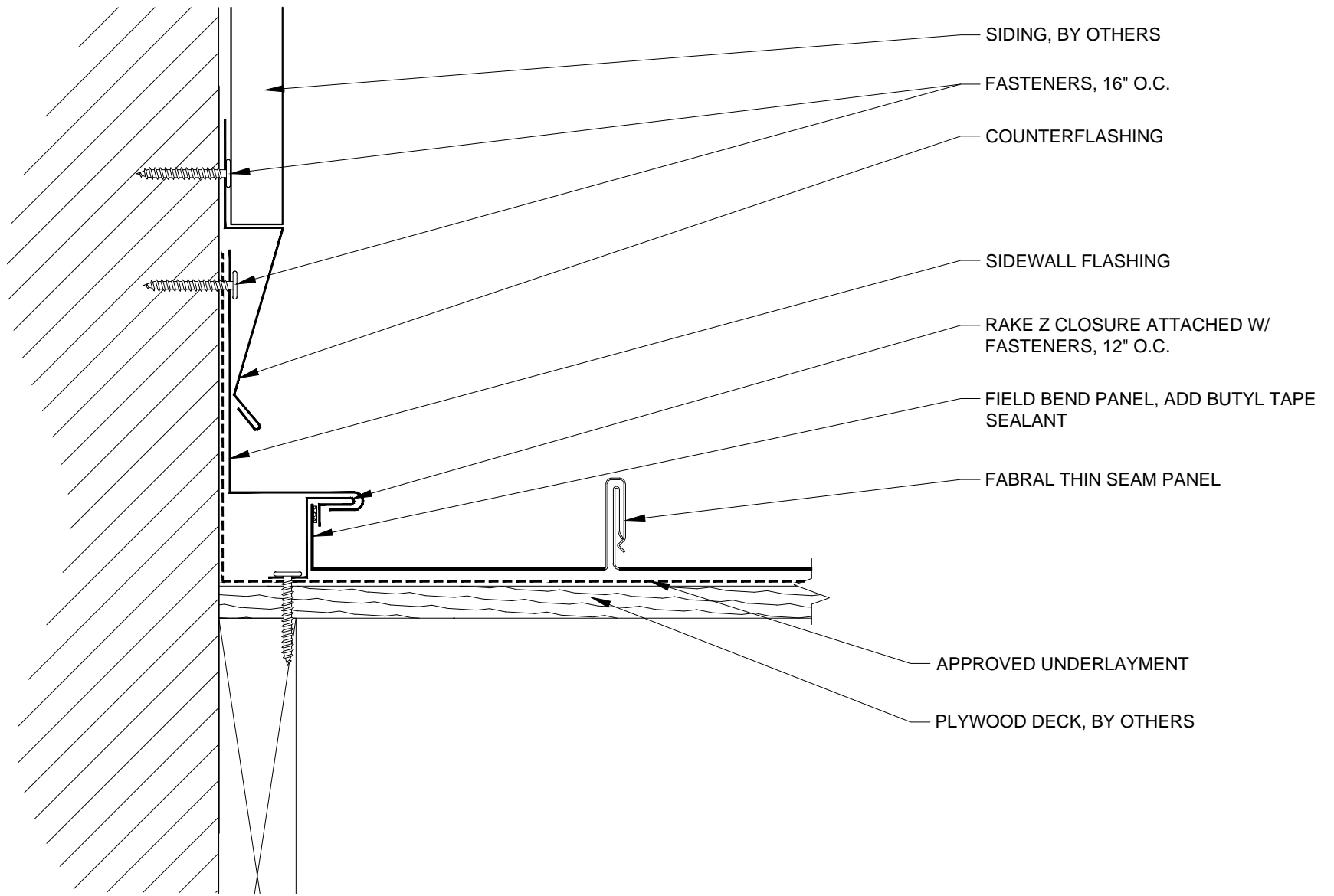
THIS DRAWING IS THE PROPERTY OF FABRAL, INC. THE USE OF THIS DRAWING WITHOUT THE EXPRESS PERMISSION OF FABRAL IS PROHIBITED.

FABRAL, INC.
 3449 Hempland Road
 Lancaster, PA 17601
 800-477-2741

SIDEWALL DETAIL (SW-2)

THIN SEAM

Issued:
 APRIL 2012



FABRAL

Project:

Contractor:

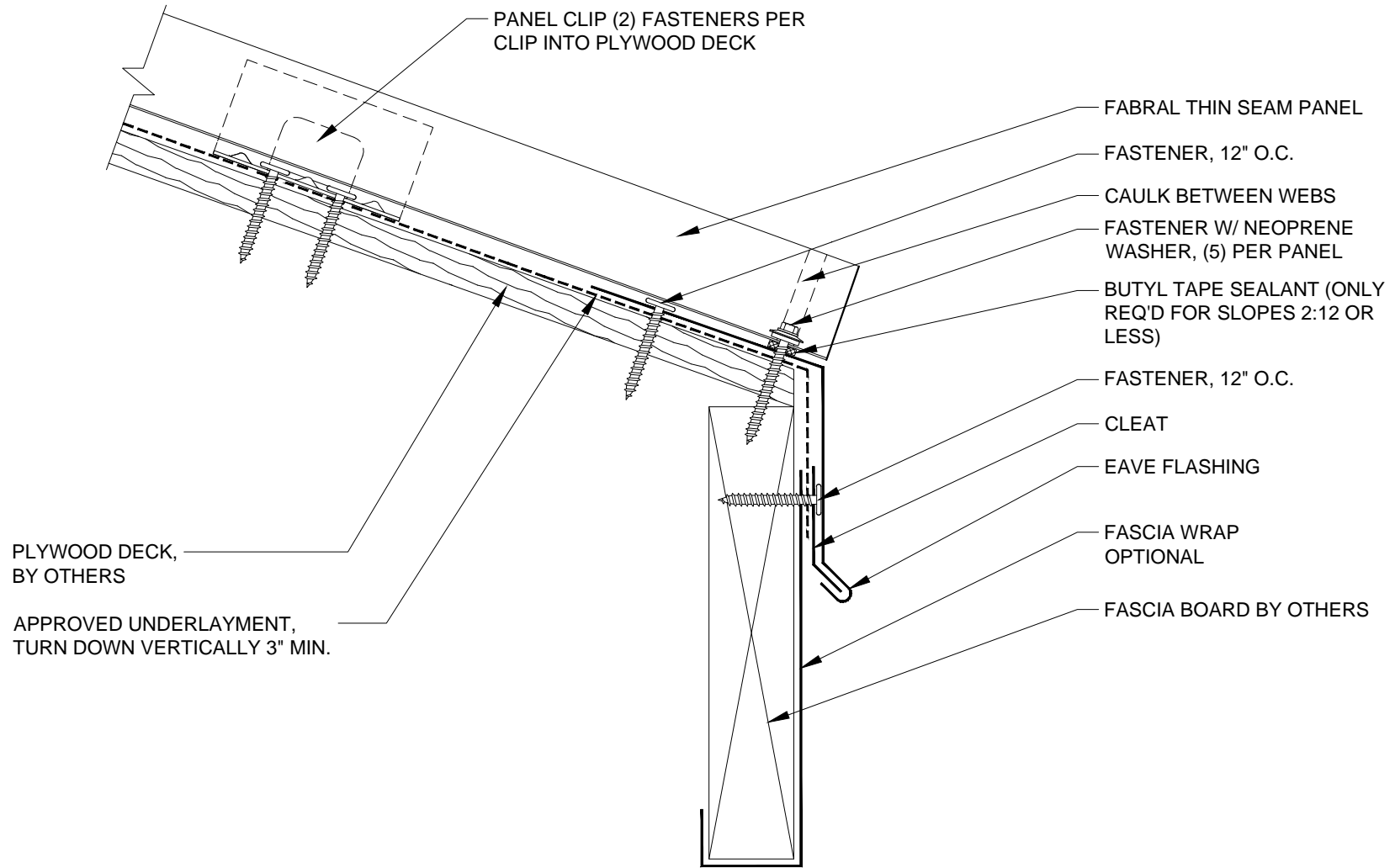
THIS DRAWING IS THE PROPERTY OF FABRAL, INC. THE USE OF THIS DRAWING WITHOUT THE EXPRESS PERMISSION OF FABRAL IS PROHIBITED.

FABRAL, INC.
 3449 Hempland Road
 Lancaster, PA 17601
 800-477-2741

SIDEWALL DETAIL (SW-3)

THIN SEAM

Issued:
 APRIL 2012



FABRAL

Project:

Contractor:

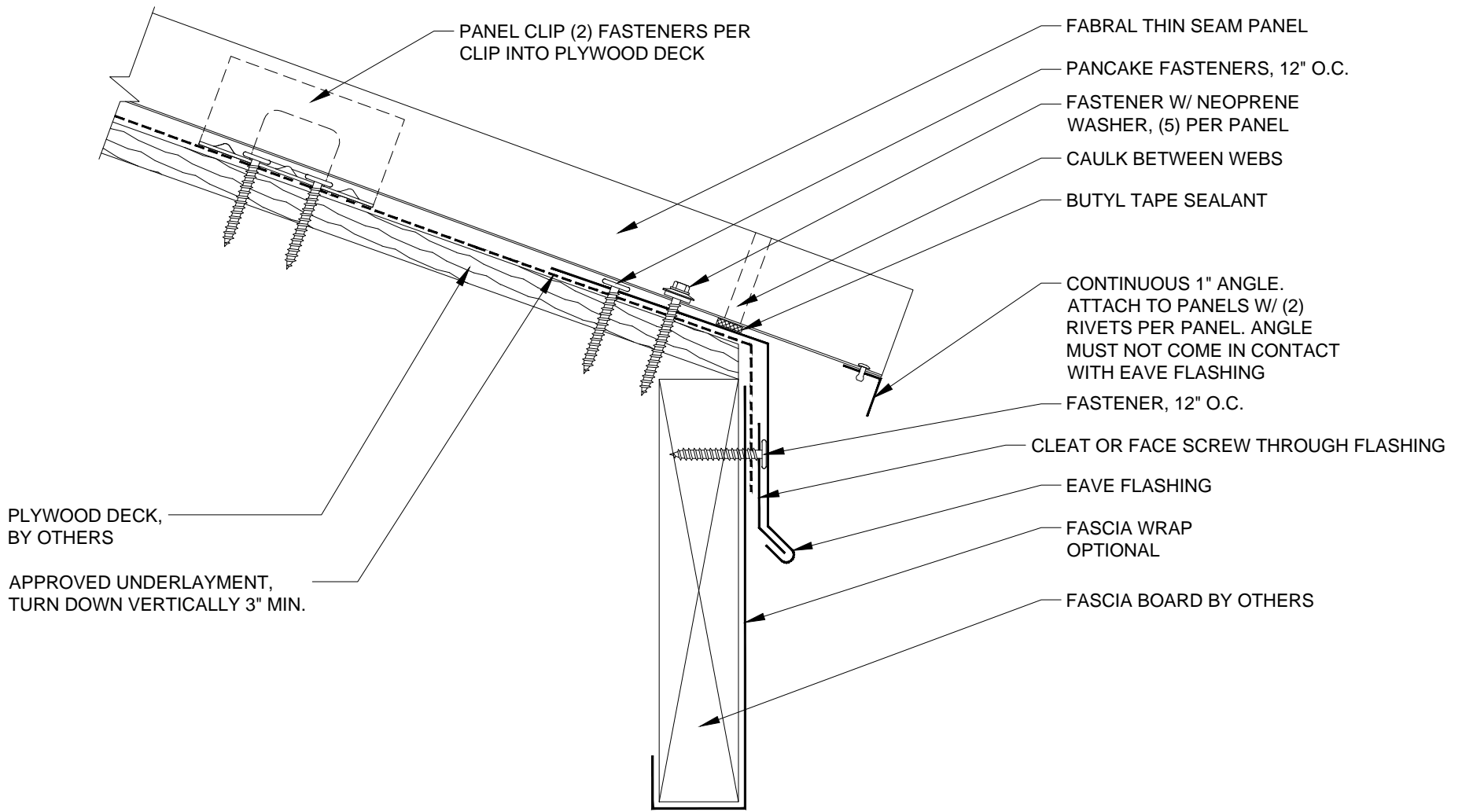
THIS DRAWING IS THE PROPERTY OF FABRAL, INC. THE USE OF THIS DRAWING WITHOUT THE EXPRESS PERMISSION OF FABRAL IS PROHIBITED.

FABRAL, INC.
 3449 Hempland Road
 Lancaster, PA 17601
 800-477-2741

FIXED EAVE DETAIL (FE-2)

THIN SEAM

Issued:
 APRIL 2012



FABRAL

Project:

Contractor:

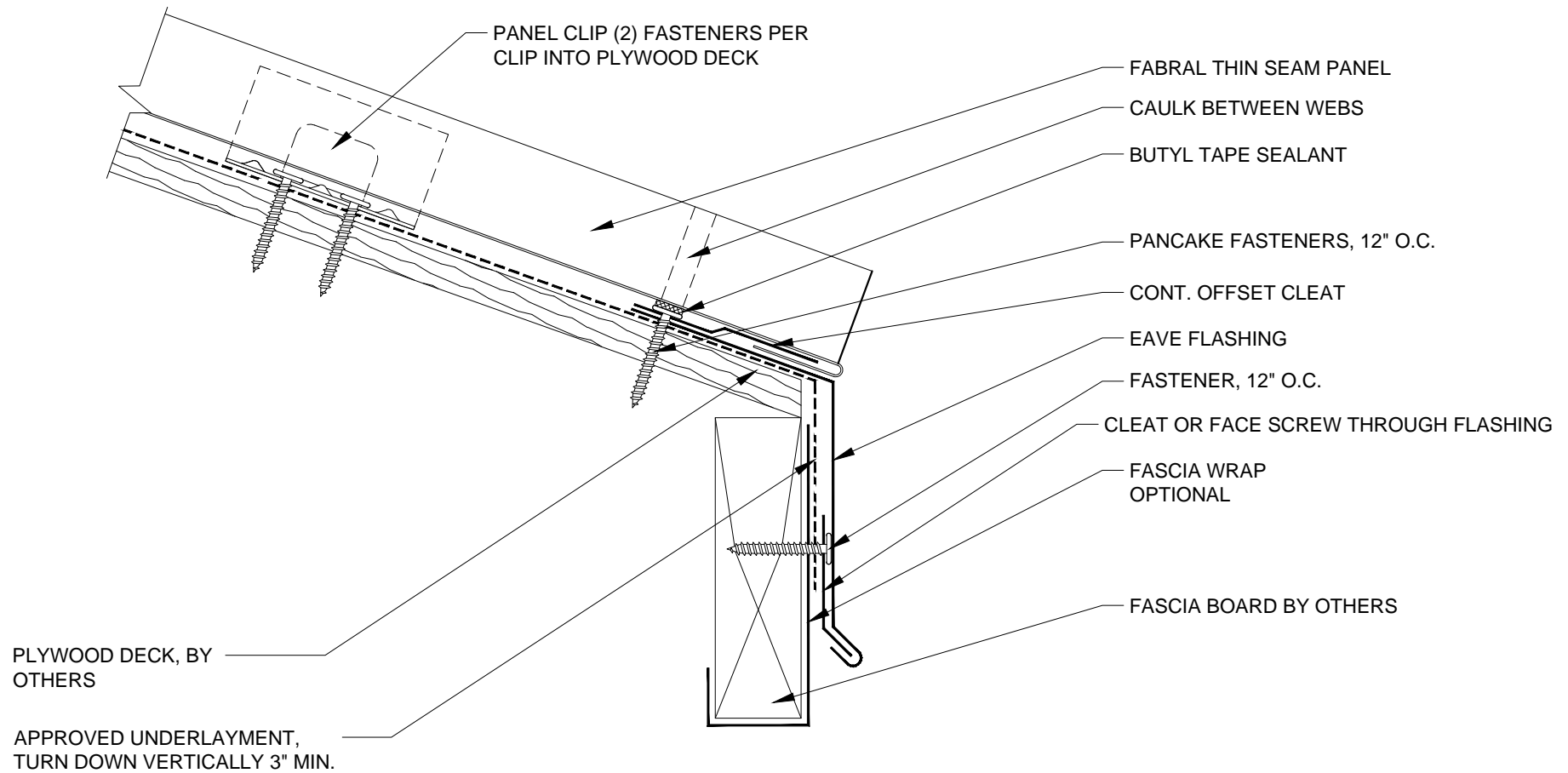
THIS DRAWING IS THE PROPERTY OF FABRAL, INC. THE USE OF THIS DRAWING WITHOUT THE EXPRESS PERMISSION OF FABRAL IS PROHIBITED.

FABRAL, INC.
 3449 Hempland Road
 Lancaster, PA 17601
 800-477-2741

FIXED EAVE DETAIL (FE-1)

THIN SEAM

Issued:
 APRIL 2012



FABRAL

Project:

Contractor:

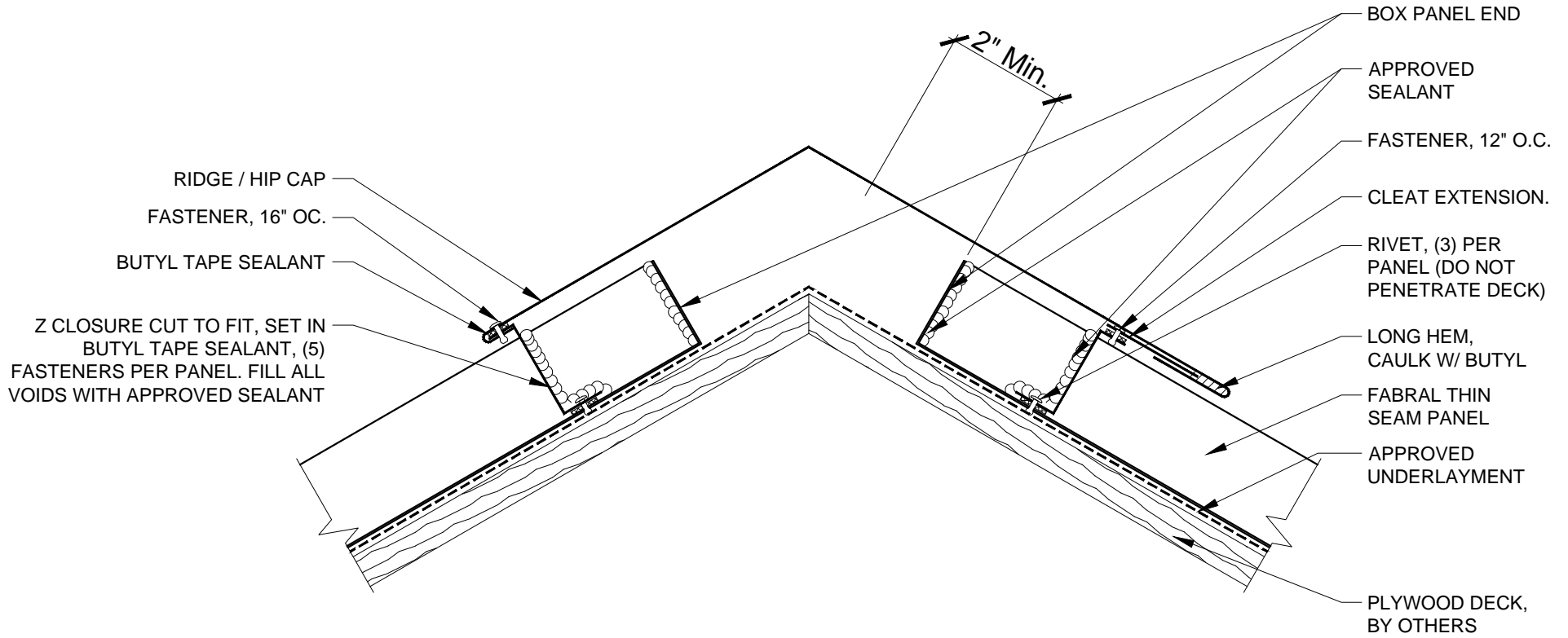
THIS DRAWING IS THE PROPERTY OF FABRAL, INC. THE USE OF THIS DRAWING WITHOUT THE EXPRESS PERMISSION OF FABRAL IS PROHIBITED.

FABRAL, INC.
 3449 Hempland Road
 Lancaster, PA 17601
 800-477-2741

SLIDING EAVE DETAIL (E-2)

THIN SEAM

Issued:
 APRIL 2012



FABRAL

Project: _____
 Contractor: _____

THIS DRAWING IS THE PROPERTY OF FABRAL, INC. THE USE OF THIS DRAWING WITHOUT THE EXPRESS PERMISSION OF FABRAL IS PROHIBITED.

FABRAL, INC.
 3449 Hempland Road
 Lancaster, PA 17601
 800-477-2741

SLIDING HIP/RIDGE DETAIL (HR-2)

THIN SEAM

Issued:
 APRIL 2012