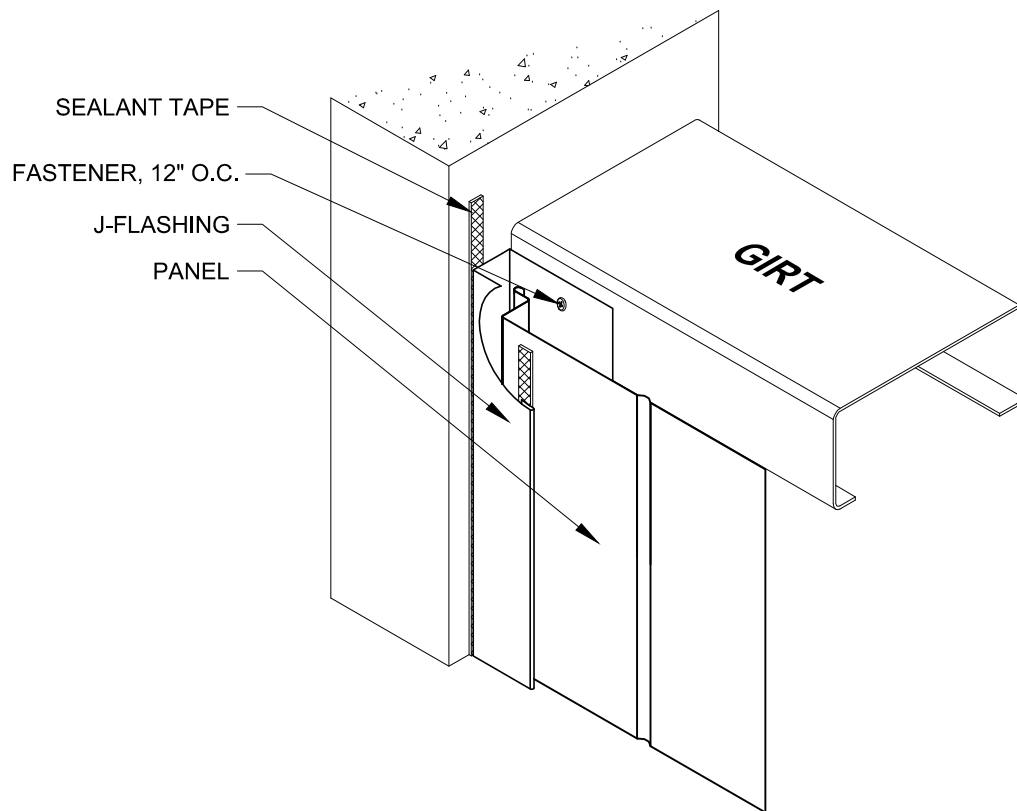
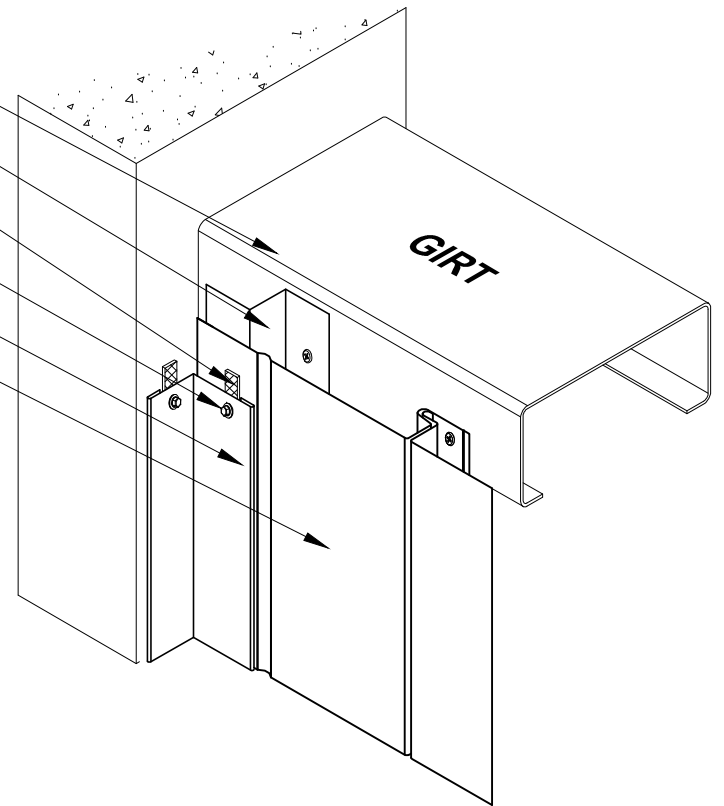


SIDEWALL (HIGH)



- WALL GIRT
- SUBGIRT
- SEALANT TAPE
- FASTENER, 12" O.C.
- FLASHING
- PANEL



SIDEWALL (LOW)

FABRAL

Project:

Contractor:

THIS DRAWING IS THE PROPERTY OF FABRAL, INC. THE USE OF THIS DRAWING WITHOUT THE EXPRESS PERMISSION OF FABRAL IS PROHIBITED.

FABRAL, INC.
 3449 Hempland Road
 Lancaster, PA 17601
 800-477-2741

SIDEWALL LOW / HIGH DETAIL (SWD-1)

SELECT SERIES

Issued:
 APRIL 2012