



Race Pace Bicycles, Ellicott City, MD

What was once a prefabricated metal warehouse and office building is now an eye-catching retail and service outlet that conveys strong brand values. This small project has had a large impact to the intersection and property value, and it has become a thriving location for active cyclists.

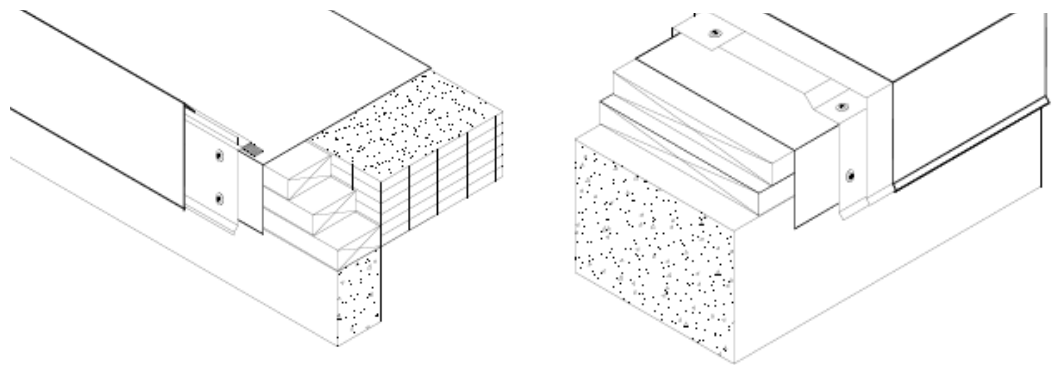
Total System Offering

Edge Metal and Coping

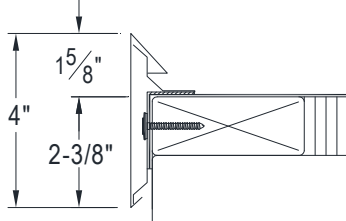
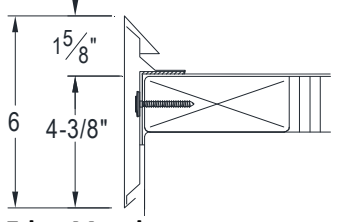
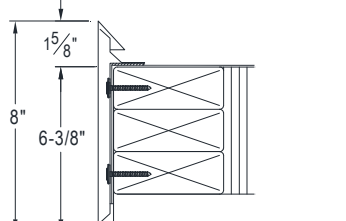
For the desired finished look, Fabral offers flashing, trim and edge metals in a variety of substrates, profiles and finishes. The easy-to-install finishing touches help maintain temperature and create design distinction.

Fabral edge metal offering is ANSI SPRI ES-1 tested and approved and includes:

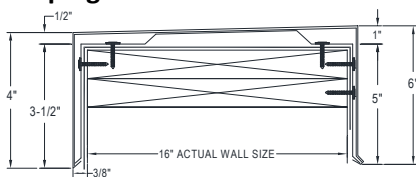
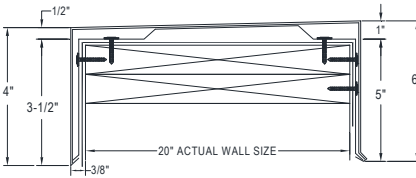
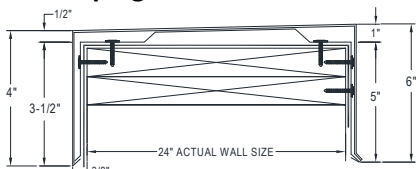
- 4" Face Edge Metal
- 6" Face Edge Metal
- 8" Face Edge Metal
- 16" Coping
- 20" Coping
- 24" Coping
- 6.5" Face Edge Metal
- 7" Face Edge Metal
- 8" Face Edge Metal
- Single 2X wood nailer



FACE EDGE METALS (.050 Continuous Aluminum Cleat)

Profile	Material				
	24 ga Steel	22 ga Steel	0.04 Alum	.050 Alum	
4" Face Edge Metal					
	Front Face	400 PSF	500 PSF	330 PSF	430 PSF
6" Face Edge Metal					
	Front Face	320 PSF	350 PSF	320 PSF	220 PSF
8" Face Edge Metal					
	Front Face	230 PSF	250 PSF	250 PSF	230 PSF

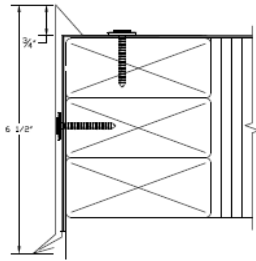
COPING (20 ga. 12" Steel Cleat @ 40" O.C.)

Profile	Material				
	24 ga Steel	22 ga Steel	0.04 Alum	.050 Alum	
16" Coping					
	Front Face	61 PSF	73 PSF	61 PSF	67 PSF
	Top	100 PSF	120 PSF	100 PSF	110 PSF
20 inch Coping					
	Front Face	43 PSF	61 PSF	43 PSF	61 PSF
	Top	70 PSF	100 PSF	70 PSF	100 PSF
24 inch Coping					
	Front Face	37 PSF	49 PSF	37 PSF	43 PSF
	Top	60 PSF	80 PSF	60 PSF	70 PSF

FACE EDGE METALS (24 ga. Continuous Steel Cleat)

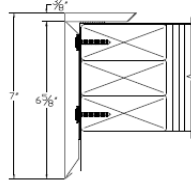
Profile	Material	
	24 ga Steel	0.032 Alum

6.5" Face Edge Metal*



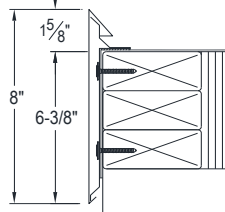
Front Face	273 PSF	250 PSF
------------	---------	---------

7" Face Edge Metal*



Front Face	142 PSF
------------	---------

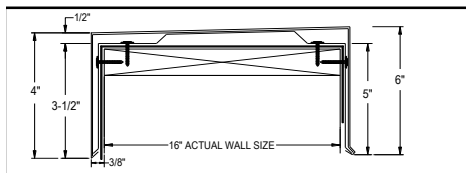
8" Face Edge Metal*



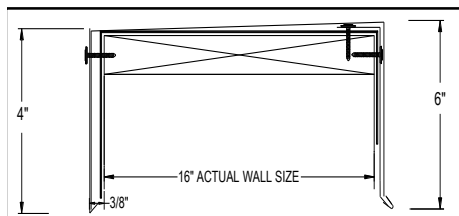
Front Face	92 PSF
------------	--------

Single 2X wood nailer

Profile	Material			
	24 ga Steel	24 ga Steel	0.04 Alum	0.04 Alum
	clips 40"	clips 24"	clips 40"	clips 24"
	12" Cleat	12" Cleat	12" Cleat	12" Cleat



Front face	58 psf	70 psf	40 psf	40 psf
Top	95 psf	115 psf	65 psf	65 psf



	24 ga Steel	0.04 Alum
	continuous cleat in front	continuous cleat in front
	exposed screws in back	exposed screws in back
Front face	98 psf	49 psf
Top	160 psf	80 psf

note: all screws into a single 2 X