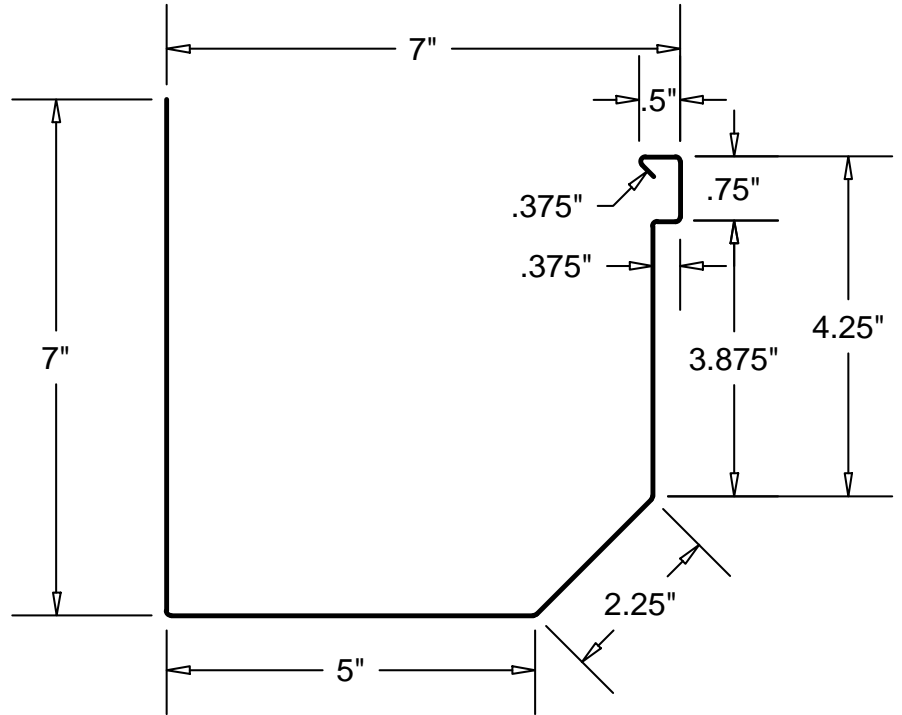
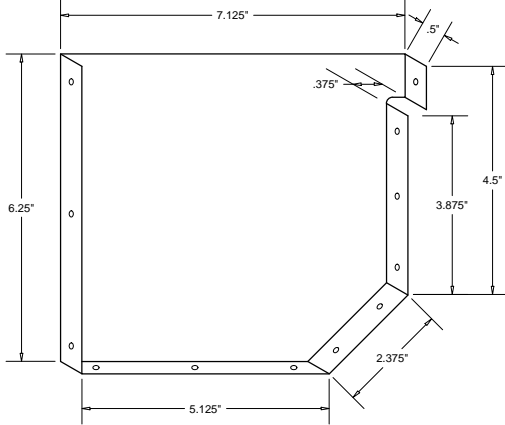
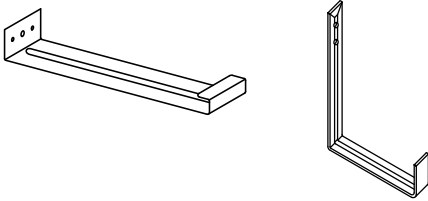


7-D STYLE GUTTER + ACCESSORIES

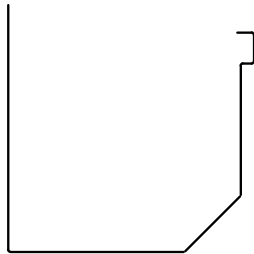
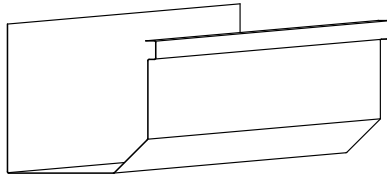
END CAPS



GUTTER SUPPORT BRACKETS



SPLICE PLATES



NOTES:

- ① Subject to minimum requirements
- ② Custom lengths available

MATERIAL:

22GA STEEL
24GA STEEL
26GA STEEL (limited color availability)

.032 ALUMINUM
.040 ALUMINUM
.050 ALUMINUM

16OZ COPPER
20OZ COPPER

COLOR:

QUANTITIES:

- ___ LINEAL FEET @ 10'-0" LENGTHS ②
- ___ LINEAL FEET @ 20'-0" LENGTHS ①②
- ___ OUTSIDE MITERS @ 90°
- ___ INSIDE MITERS @ 90°
- ___ ENDCAPS: RIGHT ___ LEFT ___
- ___ SPLICE PLATES
- ___ EXPANSION JOINTS
- ___ HIDDEN HANGERS
- ___ GUTTER SUPPORT BRACKETS

PRINT APPROVED BY:

(SIGNATURE) (DATE)

A SIGNED PRINT APPROVAL SIGNIFIES A CUSTOMER HAS VERIFIED ALL DIMENSIONS, SIZES, QUANTITIES, AND MATERIAL TYPES.

FABRICATION WILL PROCEED ONLY AFTER RECEIPT OF SIGNED PRINT APPROVAL

PROJECT INFORMATION

(PROJECT NAME)

(ARCHITECT)

(CUSTOMER)

(REPRESENTATIVE/ DISTRIBUTOR)

FABRAL

METAL WALL AND ROOF SYSTEMS

30 Technology Pkwy S, Suite 400
Norcross, GA 30092

1-800-884-4484

sales@fabral.com

www.fabral.com