

FABRAL® 2 1/2" SSR

BRIEF PRODUCT SPECIFICATION

FABRAL
CORE™

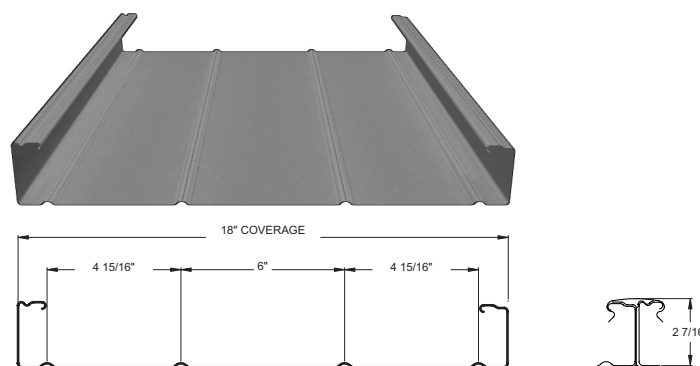
**You challenge us.
And we like it.**

Your vision for a building and what you want to achieve makes us think harder. It'd be easy to say - That won't work. Instead we go with - Let's see what we can do.

Fabral.com
800.884.4484

STANDING SEAM ROOF PANEL 2 1/2" SSR

For the most demanding applications, Fabral® offers 2 1/2" SSR. This classic style, wide batten seam system boasts great test results for Air Infiltration and Water Penetration. The 2 1/2" SSR may be installed as well as disassembled easily making it a versatile solution for any project.



MANUFACTURER DESCRIPTION

- Fabral®, 308 Alabama Blvd, Jackson, GA 30233
- **Telephone:** 800.884.4484
- **Email:** sales@fabral.com
- **Website:** Fabral.com

PRODUCT DESCRIPTION

Acceptable Product:	Fabral® 2 1/2" SSR	
Air Infiltration:	ASTM E1680	.019 cfm/ft ² @ 20 psf; 0.0 cfm/ft ² @ 1.57 psf; 0.008 cfm/ft ² @ 4.0 psf
	ASTM E283	no air penetration @ 20 psf
Water Penetration:	ASTM E1546	No water leakage @ 20 psf
	ASTM E331	No water leakage @ 20 psf
Wind Uplift:	UL580	Class 90, #190, 190B
Class 4 impact:	UL2218	
Class A fire:	UL790	

DESIGN INFORMATION

- **Roof Slope:** Minimum required - 1/2 :12
- **Purlin Spacing:** Maximum – 5' on-center
- **Panel Length:** Maximum - 47' Minimum - 6'
- **Panel Width:** 18"

PRODUCT INSTALLATION

Install panels plumb, level and straight so it is watertight and without waves or other distortions, allowing for thermal movement considerations. Apply sealant tape or caulking as necessary at flashing and panel joints to prevent water penetration.

PRODUCT MAINTENANCE AND WARRANTY

Fabral® provides a 30 year paint-finish warranty for cracking, chipping, peeling, fading and chalking, and a wide selection of weathertightness warranties are available for up to 20 years – providing confidence in a long-lasting application.

To ensure the durability of your 2 1/2" SSR panels, use proper care. Remove filings, grease, stains, marks or excess sealants from roof panels system to prevent staining. Store panels and flashings in a safe, dry environment.

FABRAL®

