

FABRAL® STAND 'N SEAM®

BRIEF PRODUCT SPECIFICATION



Georgia Institute of Technology, Atlanta GA, USA

Stand 'N Seam® was ideal for creating the large curved roof of the GA Tech indoor football facility. Not only is it durable, the panels were roll-formed on-site so that they could span the roof without end seams.

FABRAL CORE™

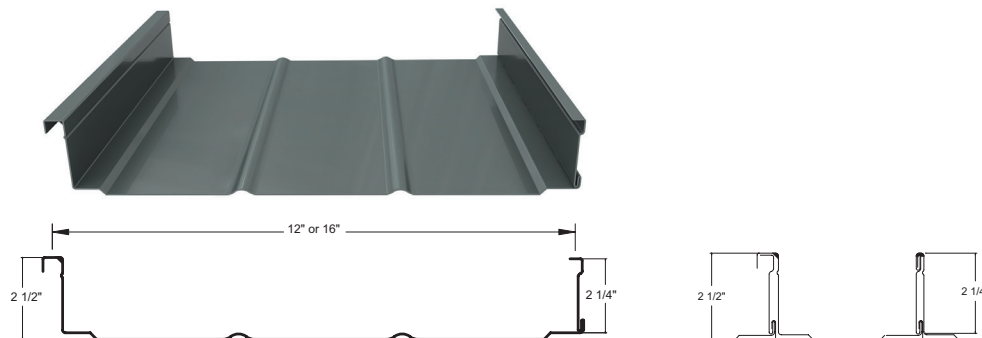
**You challenge us.
And we like it.**

Your vision for a building and what you want to achieve makes us think harder. It'd be easy to say - That won't work. Instead we go with - Let's see what we can do.

Fabral.com
800.884.4484

MECHANICALLY SEAMED, STANDING SEAM ROOF PANEL STAND 'N SEAM®

For the most demanding applications, Fabral® offers Stand 'N Seam®. This high-performance, structural roof system boasts the highest wind uplift resistance of any standing seam panel available in the market. A unique one-piece stainless steel clip design allows for unlimited thermal movement. Side joints are double lock-seamed to ensure weathertightness. This workhorse panel is factory or field-formed to yield continuous long length panels, eliminating unsightly end-laps from ridge to eave.



(Product details on reverse)

FABRAL® STAND 'N SEAM®

BRIEF PRODUCT SPECIFICATION

MANUFACTURER DESCRIPTION

- Fabral®, 308 Alabama Blvd, Jackson, GA 30233
- **Telephone:** 800.884.4484
- **Email:** sales@fabral.com
- **Website:** Fabral.com

PRODUCT DESCRIPTION

Acceptable Product:	Fabral® Stand 'N Seam®	
Air Infiltration:	ASTM E1680	No air penetration @ 20 psf
	ASTM E283	0.006 cfm/ft ² @ 20 psf
Water Penetration:	ASTM E1646	No water leakage @ 20 psf
	ASTM E331	No water leakage @ 20 psf
	ASTM E2140	No leakage of standing water
Wind Uplift:	ASTM E1592	Test results vary depending on gauge and panel thickness
	UL580	Class 90, #275, 275A, 275B, 319
Class 4 impact:	UL2218	
Class A fire:	UL790	
Miami Dade Noa (steel & alum.)		

WIND UPLIFT LOAD TABLE (PSF)

Substrate	Width	2'-6"	3'-0"	3'-6"	4'-0"	4'-6"	5'-0"
24 ga. Steel	16"	96	90	85	80	75	70
22 ga. Steel	16"	121	114	107	101	94	88
.032" alum.	16"	67	63	59	55	51	48
.040" alum.	16"	82	79	76	73	70	67

DESIGN INFORMATION

- Roof Slope: Minimum required - ½ :12
- Purlin Spacing: Maximum – 5' on-center
- Field Curving: Minimum radius 150'
- Panel Length: Maximum - 47' Minimum - 6'
- Panel Width: Maximum - 16" Minimum - 12"
- Field forming available up to 300' (16' panel only)

PRODUCT INSTALLATION

Install panels plumb, level and straight so it is watertight and without waves or other distortions, allowing for thermal movement considerations. Apply sealant tape or caulking as necessary at flashing and panel joints to prevent water penetration.

PRODUCT MAINTENANCE AND WARRANTY

Fabral® provides a 30 year paint-finish warranty for cracking, chipping, peeling, fading and chalking, and a wide selection of weathertightness warranties are available for up to 20 years – providing confidence in a long-lasting application.

To ensure the durability of your Stand 'N Seam® panels, use proper care. Remove filings, grease, stains, marks or excess sealants from roof panels system to prevent staining. Store panels and flashings in a safe, dry environment.

RECENT PROJECTS

Segment	Project Name	Location	Architect/Distributor
Education	University of WI, Kress Event Center	Green Bay, WI	Kahler Slater Architects
Government	VA Outpatient Clinic	Cape Coral, FL	Orion Associates, Inc.
Healthcare	Legacy Salmon Creek Hospital	Vancouver, WA	Streiner Sheet Metal
Religious	First Baptist Church of Woodstock	Woodstock, GA	Architectural Product Specialists, Inc.