

# FABRAL® 4" RIB

## BRIEF PRODUCT SPECIFICATION



Kennesaw State University Soccer Stadium, Kennesaw, GA, USA

Completed in record time, over 200 squares of 4" Rib panels were used in a custom black to match the university's school color in a design to reflect the surrounding mountains.



### FABRAL CORE™

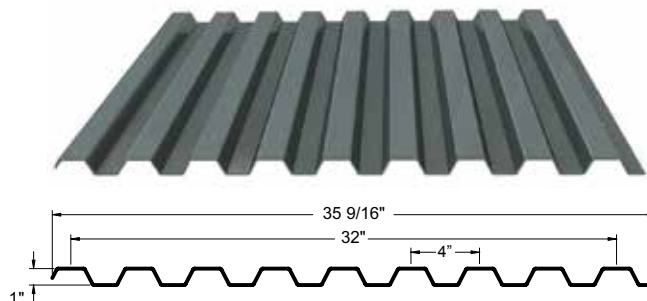
**You challenge us.  
And we like it.**

Your vision for a building and what you want to achieve makes us think harder. It'd be easy to say - That won't work. Instead we go with - Let's see what we can do.

**Fabral.com**  
800.884.4484

## EXPOSED FASTENER ROOFING & SIDING PANEL 4" RIB

Fabral® 4" Rib is a classically designed exposed fastener panel with 4" Rib spacing. With exceptional durability and unlimited color options, 4" Rib is a preferred choice for function and creativity. The unique construction of 4" Rib allows panels to follow every curve of your design. And it's suitable for use on both wall and roof applications (in siding only, can be applied in vertical and horizontal orientation). With 4" Rib your vision is limitless.



(Product details on reverse)

# FABRAL® 4" RIB

## BRIEF PRODUCT SPECIFICATION

### MANUFACTURER DESCRIPTION

- Fabral®, 308 Alabama Blvd, Jackson, GA 30233
- Telephone: 800.884.4484
- Email: sales@fabral.com
- Website: www.fabral.com

### PRODUCT DESCRIPTION

Acceptable Product: Fabral® 4" Rib  
 Class 4 impact: UL2218  
 Class A fire: UL790

Wind Uplift & Fastener Spacing calculations are available upon request

### GRAVITY LOAD TABLE (PSF)

Substrate	Span	6'-0"	7'-0"	8'-0"	9'-0"	10'-0"	11'-0"	12'-0"
26 ga. Steel	3	58	43	33	26	-	-	-
24 ga. Steel	3	58	42	32	26	-	-	-
22 ga. Steel	3	78	57	44	35	28	23	-
20 ga. Steel	3	96	71	54	43	35	29	24
18 ga. Steel	3	126	93	71	56	45	38	32
.032" alum.	3	53	39	30	23	-	-	-
.040" alum.	3	73	53	41	32	26	22	-
.050" alum.	3	97	71	55	43	35	29	24

Note: Allowable loads based on AISI and Aluminum Association Specifications. Allowable loads are based on stress only.

### DESIGN INFORMATION

- Roof Slope: Minimum required - 2 1/2:12
- Panel Length: Maximum - 45' Minimum - 6'
- Panel Width: 48", 32"

### PRODUCT INSTALLATION

Install panels plumb, level and straight so it is watertight and without waves or other distortions, allowing for thermal movement considerations. Apply sealant tape or caulking as necessary at flashing and panel joints to prevent water penetration.

### PRODUCT MAINTENANCE AND WARRANTY

Fabral® provides a 20 year paint-finish warranty for cracking, chipping, peeling, fading and chalking – providing confidence in a long-lasting application.

To ensure the durability of your 4" Rib panels, use proper care. Remove filings, grease, stains, marks or excess sealants from roof panels system to prevent staining. Store panels and flashings in a safe, dry environment.

### RECENT PROJECTS TO REFERENCE

Segment	Project Name	Location	Quantity	Architect/Distributor
Education	Kennesaw State University Soccer Stadium	Kennesaw, GA	200 sq	Gregory T Sweeny, Rossetti
Industrial	C.E. Storage Building - Air National Guard	Lincoln, NE	135 sq	Caspers Construction
Religious	Mt Bethel United Methodist Church	Marietta, GA	392 sq	Orion Associates, Inc
Office Building	Tumwater Office Building	Tumwater, WA	160 sq	Northshore Sheet Metal