

FABRAL® DEEP RIB IV

BRIEF PRODUCT SPECIFICATION



Lynx Regional Transportation Authority, Orlando, FL, USA

LYNX Central Florida Regional Transportation Authority is the hub of the area's public transportation system. Undulating space-frame roofs clad in Fabral Deep Rib IV custom curved metal panels protect the platforms from the elements.

FABRAL CORE™

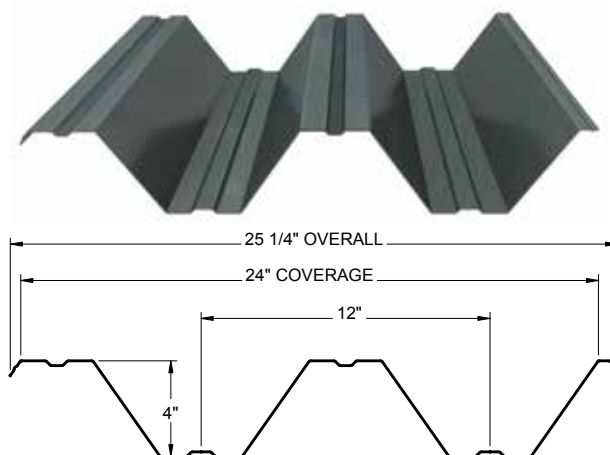
**You challenge us.
And we like it.**

Your vision for a building and what you want to achieve makes us think harder. It'd be easy to say - That won't work. Instead we go with - Let's see what we can do.

Fabral.com
800.884.4484

EXPOSED FASTENER ROOFING & SIDING PANEL DEEP RIB IV

Fabral® Deep Rib IV panel is a boldly designed exposed fastener panel for a dramatic finished look. With exceptional durability and unlimited color options, Fabral's Deep Rib IV panel is the perfect choice for function and creativity. The construction of the Deep Rib IV panels, with its 4" deep ribs, provide excellent strength and spanning capacity when installed on your project. With Deep Rib IV panels your vision is limitless.



(Product details on reverse)

FABRAL®

FABRAL® DEEP RIB IV

BRIEF PRODUCT SPECIFICATION

MANUFACTURER DESCRIPTION

- Fabral®, 308 Alabama Blvd, Jackson, GA 30233
- Telephone: 800.884.4484
- Email: sales@fabral.com
- Website: www.fabral.com

PRODUCT DESCRIPTION

Acceptable Product: Fabral® Deep Rib IV
 Class 4 impact: UL2218
 Class A fire: UL790
 Wind Uplift & Fastener Spacing calculations are available upon request

GRAVITY LOAD TABLE (PSF)

Substrate	Span	10'-0"	11'-0"	12'-0"	13'-0"	14'-0"	15'-0"	16'-0"
22 ga. Steel	3	125	103	94	74	64	55	49
20 ga. Steel	3	146	121	110	93	74	65	57
18 ga. Steel	3	182	151	127	108	93	81	67
Substrate	Span	4'-0"	5'-0"	6'-0"	7'-0"	8'-0"	9'-0"	10'-0"
.032" alum.	3	217	139	97	71	54	43	35
.040" alum.	3	340	269	151	111	75	67	54
.050" alum.	3	526	336	234	172	131	104	84

Note: Allowable loads based on AISI and Aluminum Association Specifications. Allowable loads are based on stress only.

DESIGN INFORMATION

- Roof Slope: Minimum required - 1:12
- Inverted Panel Option Available
- Factory Curving: Minimum radius 15'
- Panel Length: Maximum - 45' (wall) 32' (roof) Minimum - 6'
- Panel Width: 24"

PRODUCT INSTALLATION

Install panels plumb, level and straight so it is watertight and without waves or other distortions, allowing for thermal movement considerations. Apply sealant tape or caulking as necessary at flashing and panel joints to prevent water penetration.

PRODUCT MAINTENANCE AND WARRANTY

Fabral® provides a 20 year paint-finish warranty for cracking, chipping, peeling, fading and chalking – providing confidence in a long-lasting application.

To ensure the durability of your Deep Rib IV panels, use proper care. Remove filings, grease, stains, marks or excess sealants from roof panels system to prevent staining. Store panels and flashings in a safe, dry environment.

RECENT PROJECTS TO REFERENCE

Segment	Project Name	Location	Quantity	Architect/Distributor
Government	Lynx Regional Transportation Authority	Orlando, FL	917 sq	Helman Hurley Carvat Peacock
Mixed Use	Purdue Research Foundation	Lafayette, IN	234 sq	ProClad Inc.
Recreation	Grand Rapids Convention Center	Grand Rapids, MI	150 sq	Architectural Glass & Metals Inc.
Education	Auburn University Basketball Arena	Auburn, AL		360 Architecture