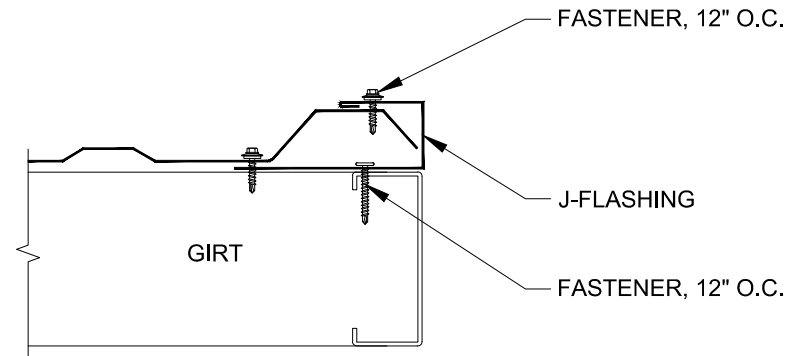
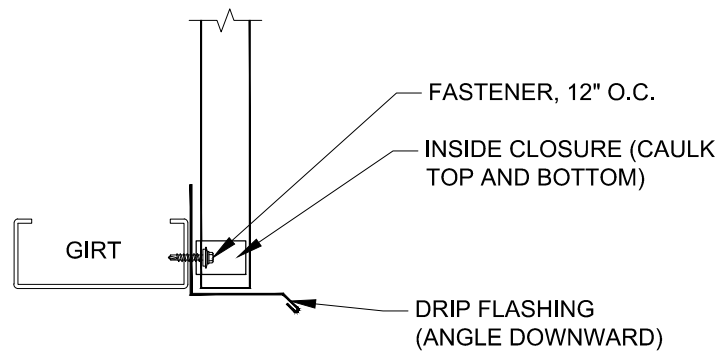


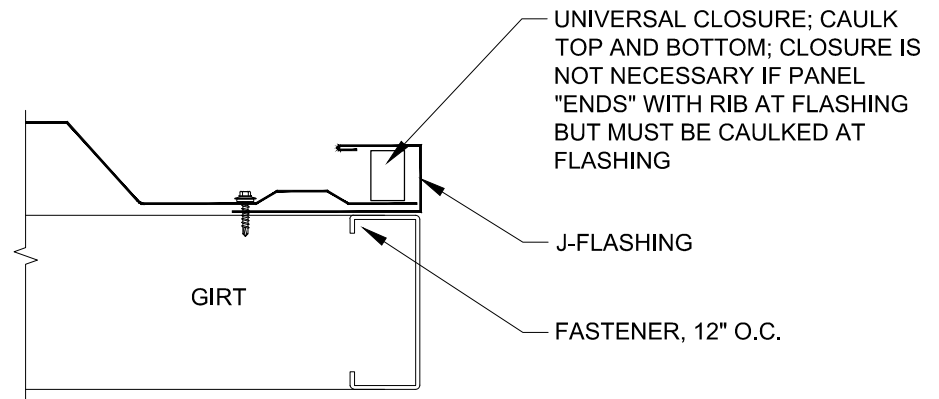
SECTION B-B



SECTION C-C



SECTION A-A



FABRAL

Project:
Contractor:

THIS DRAWING IS THE PROPERTY OF FABRAL, INC. THE USE OF THIS DRAWING WITHOUT THE EXPRESS PERMISSION OF FABRAL IS PROHIBITED.

FABRAL, INC.
3449 Hempland Road
Lancaster, PA 17601
800-477-2741

WALL SECTIONS A-A, B-B, C-C

INDUSTRIAL PANEL

Issued:
APRIL 2012