

FABRAL®

Project: _____

Contractor: _____

THIS DRAWING IS THE PROPERTY OF FABRAL, INC. THE USE OF THIS DRAWING WITHOUT THE EXPRESS PERMISSION OF FABRAL IS PROHIBITED.

FABRAL, INC.
 3449 Hempland Road
 Lancaster, PA 17601
 800-477-2741

FIXED HIP/RIDGE DETAIL (HR-1)

SNAP-ON-SEAM

Issued:
 APRIL 2012

RIDGE / HIP CAP
 COR-A-VENT V-600
 Z CLOSURE, CUT TO FIT
 BUTYL TAPE SEALANT

AIR-DAM
 FASTENER, 12" O.C.
 APPROVED SEALANT
 FASTENERS, (5) PER PANEL
 FABRAL SNAP ON SEAM PANEL
 APPROVED UNDERLAYMENT

BOX END OF PANEL

PLYWOOD DECK, BY OTHERS

FABRAL

Project:
 Contractor:

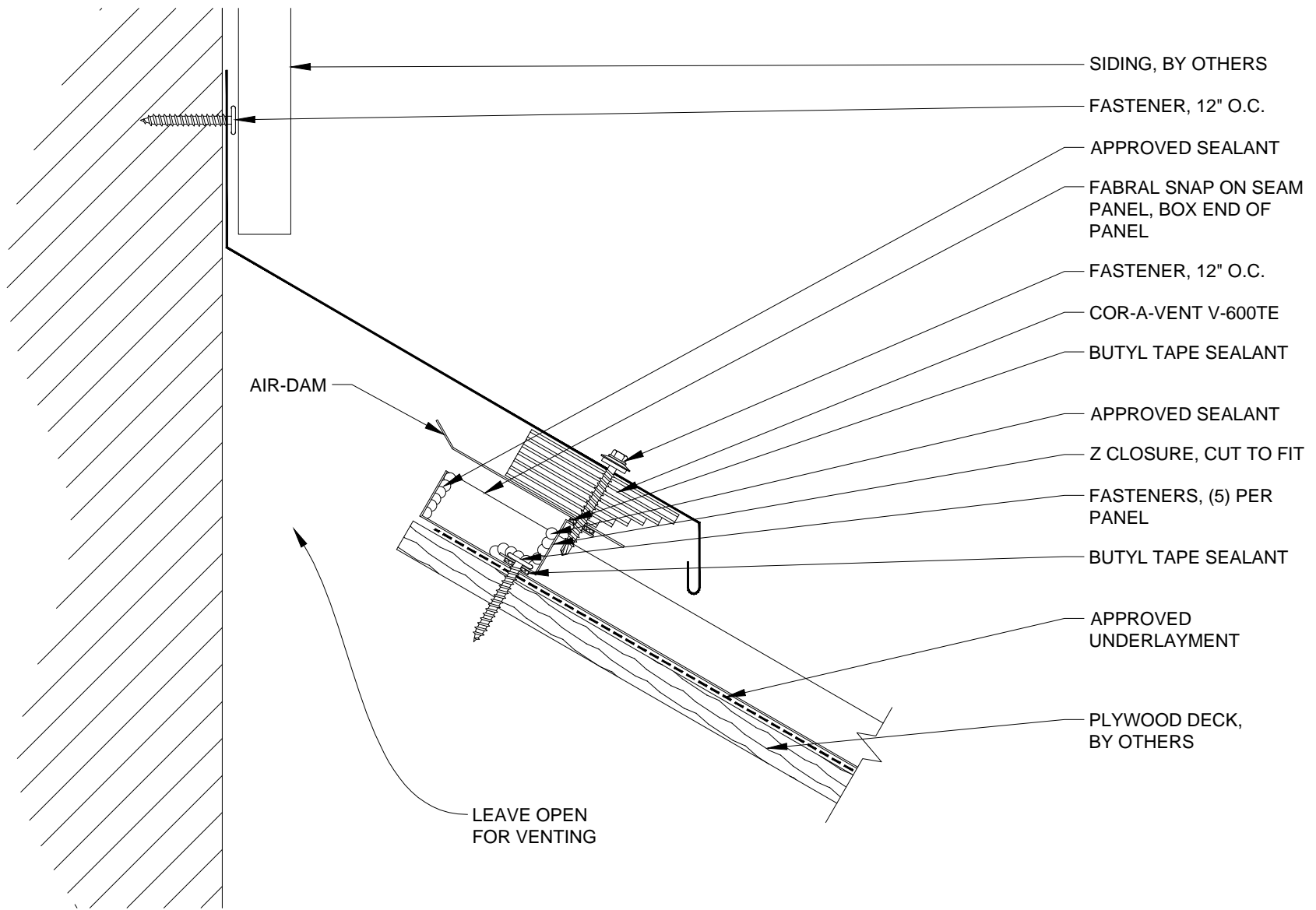
THIS DRAWING IS THE PROPERTY OF FABRAL, INC. THE USE OF THIS DRAWING WITHOUT THE EXPRESS PERMISSION OF FABRAL IS PROHIBITED.

FABRAL, INC.
 3449 Hempland Road
 Lancaster, PA 17601
 800-477-2741

VENTED FIXED HIP/RIDGE DETAIL (HR-1)

SNAP-ON-SEAM

Issued:
 APRIL 2012



FABRAL®

Project:

Contractor:

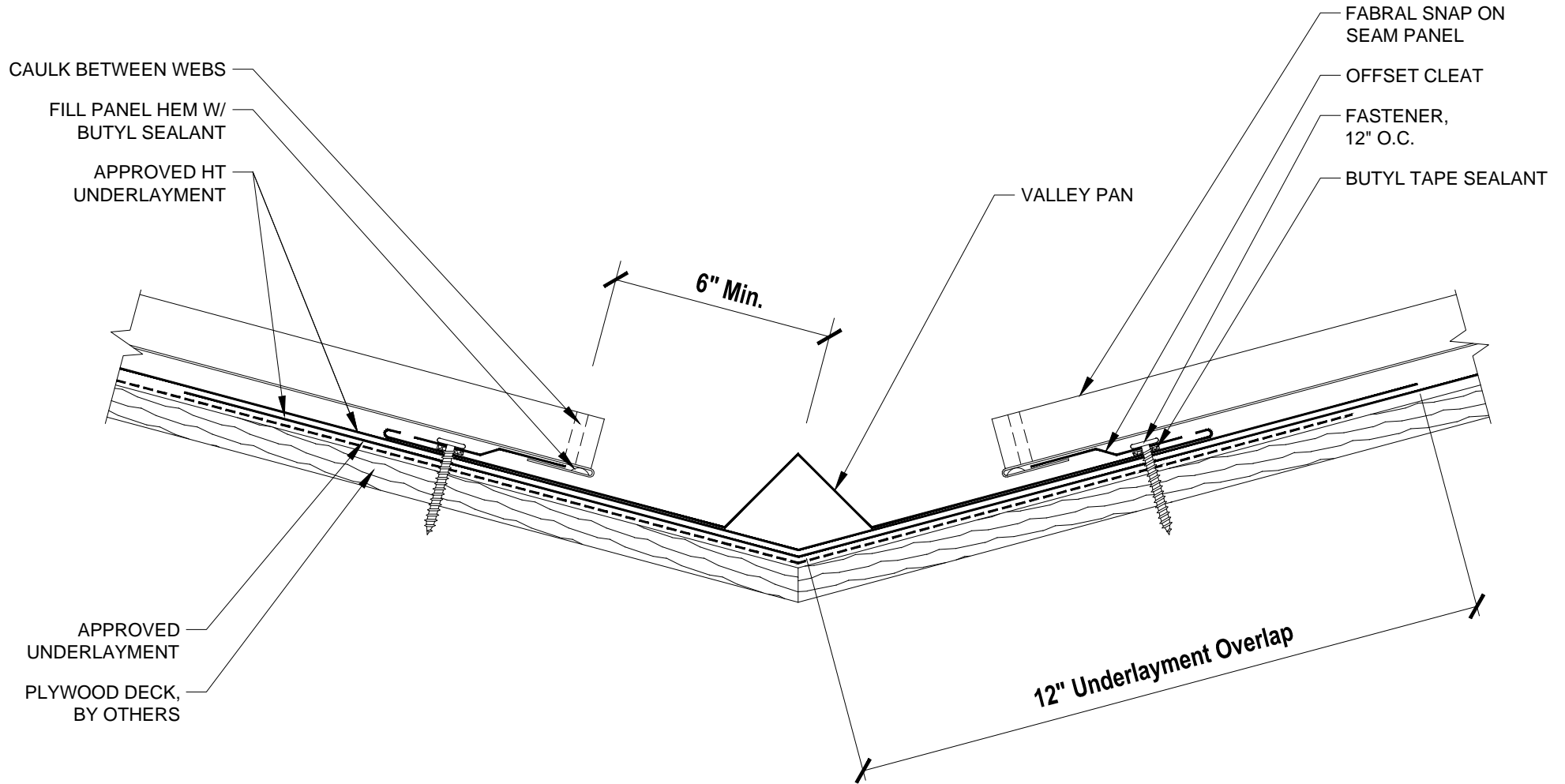
THIS DRAWING IS THE PROPERTY OF FABRAL, INC. THE USE OF THIS DRAWING WITHOUT THE EXPRESS PERMISSION OF FABRAL IS PROHIBITED.

FABRAL, INC.
 3449 Hempland Road
 Lancaster, PA 17601
 800-477-2741

VENTED HEADWALL DETAIL (VHW-1)

SNAP-ON-SEAM

Issued:
 APRIL 2012



FABRAL®

Project:

Contractor:

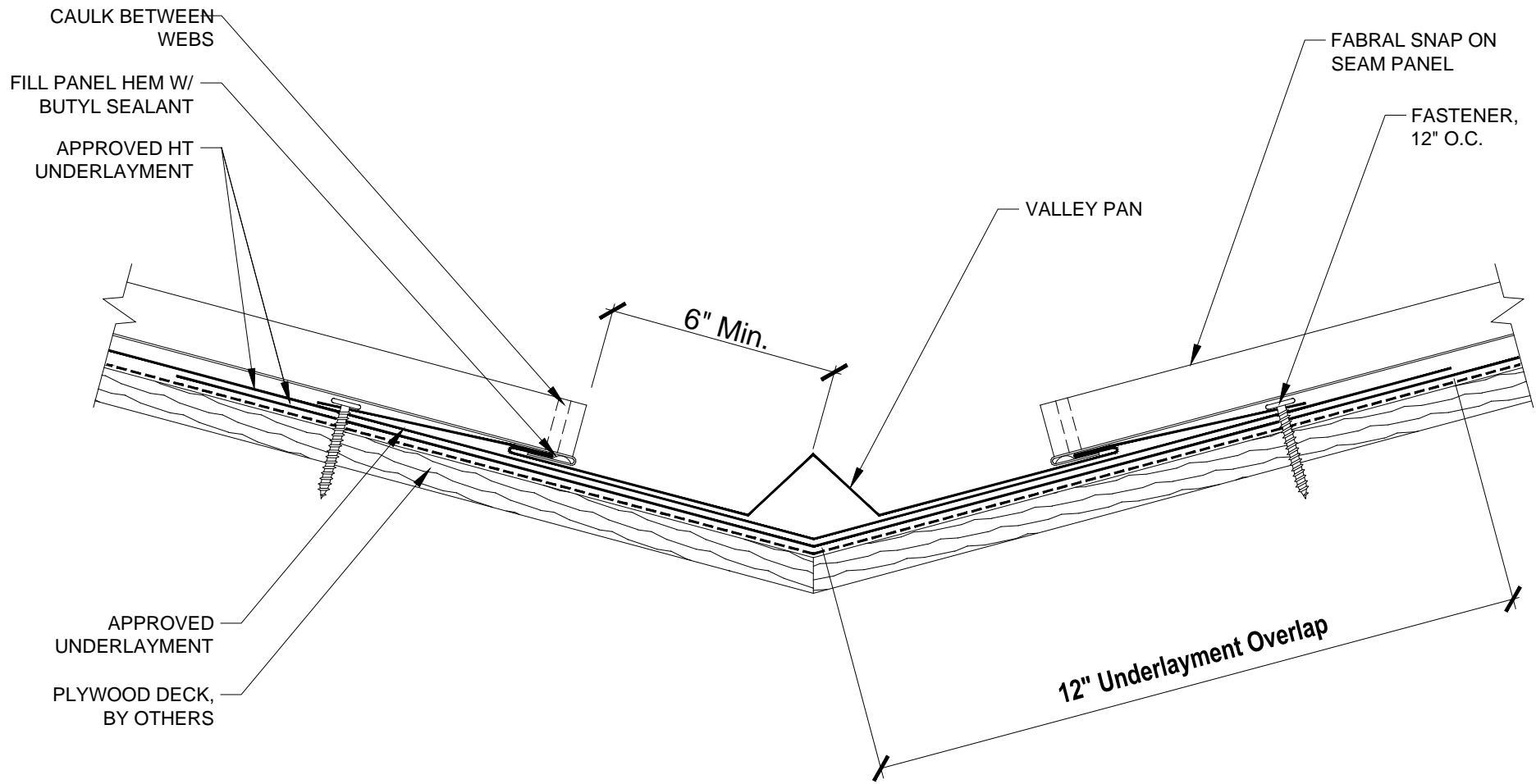
THIS DRAWING IS THE PROPERTY OF FABRAL, INC. THE USE OF THIS DRAWING WITHOUT THE EXPRESS PERMISSION OF FABRAL IS PROHIBITED.

FABRAL, INC.
 3449 Hempland Road
 Lancaster, PA 17601
 800-477-2741

VALLEY DETAIL (V-1)

SNAP-ON-SEAM

Issued:
 APRIL 2012



FABRAL®

Project:

Contractor:

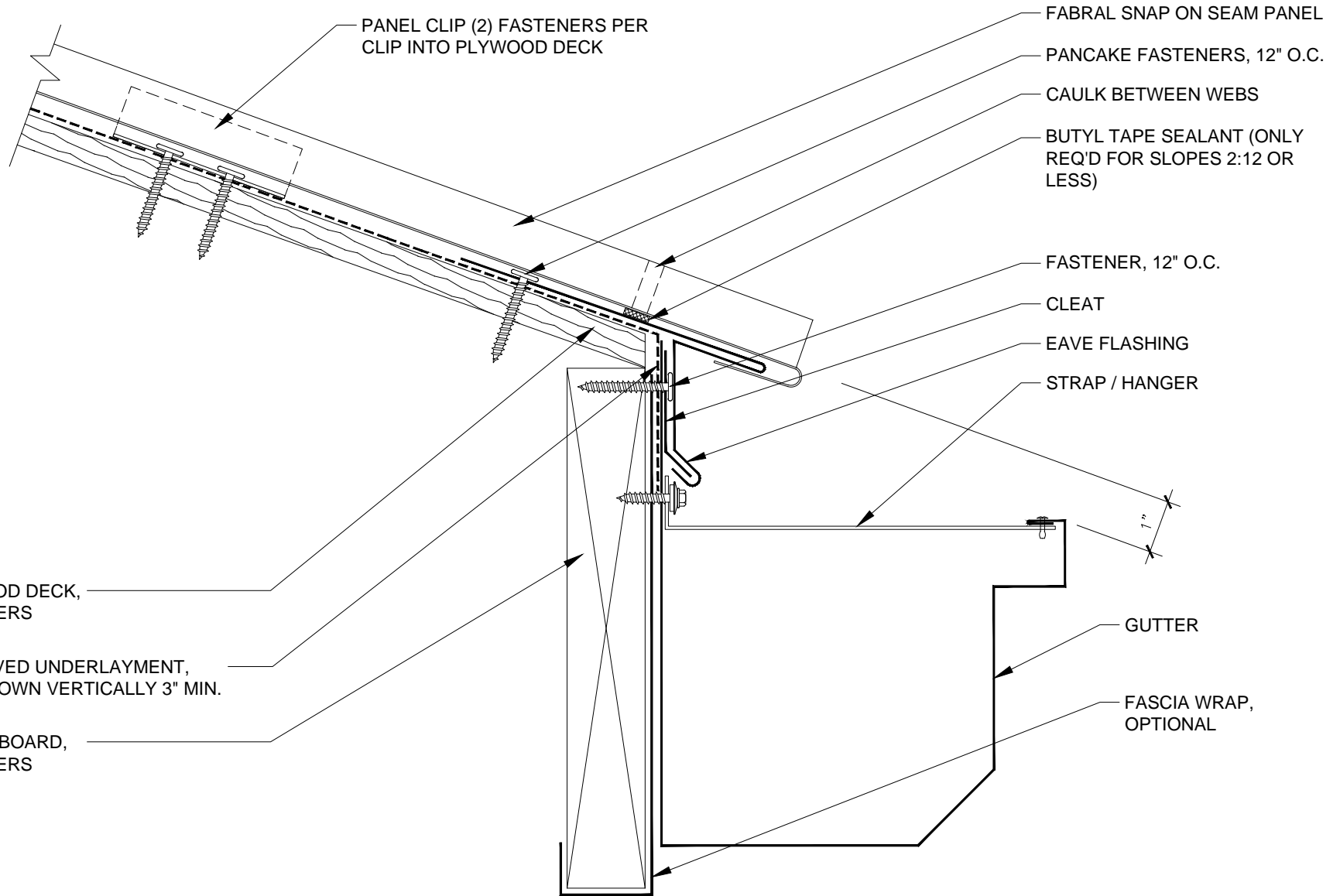
THIS DRAWING IS THE PROPERTY OF FABRAL, INC. THE USE OF THIS DRAWING WITHOUT THE EXPRESS PERMISSION OF FABRAL IS PROHIBITED.

FABRAL, INC.
 3449 Hempland Road
 Lancaster, PA 17601
 800-477-2741

VALLEY DETAIL (V-2)

SNAP-ON-SEAM

Issued:
 APRIL 2012



PLYWOOD DECK,
BY OTHERS

APPROVED UNDERLAYMENT,
TURN DOWN VERTICALLY 3" MIN.

FASCIA BOARD,
BY OTHERS

PANEL CLIP (2) FASTENERS PER
CLIP INTO PLYWOOD DECK

FABRAL SNAP ON SEAM PANEL

PANCAKE FASTENERS, 12" O.C.

CAULK BETWEEN WEBS

BUTYL TAPE SEALANT (ONLY
REQ'D FOR SLOPES 2:12 OR
LESS)

FASTENER, 12" O.C.

CLEAT

EAVE FLASHING

STRAP / HANGER

GUTTER

FASCIA WRAP,
OPTIONAL

FABRAL[®]

Project:

Contractor:

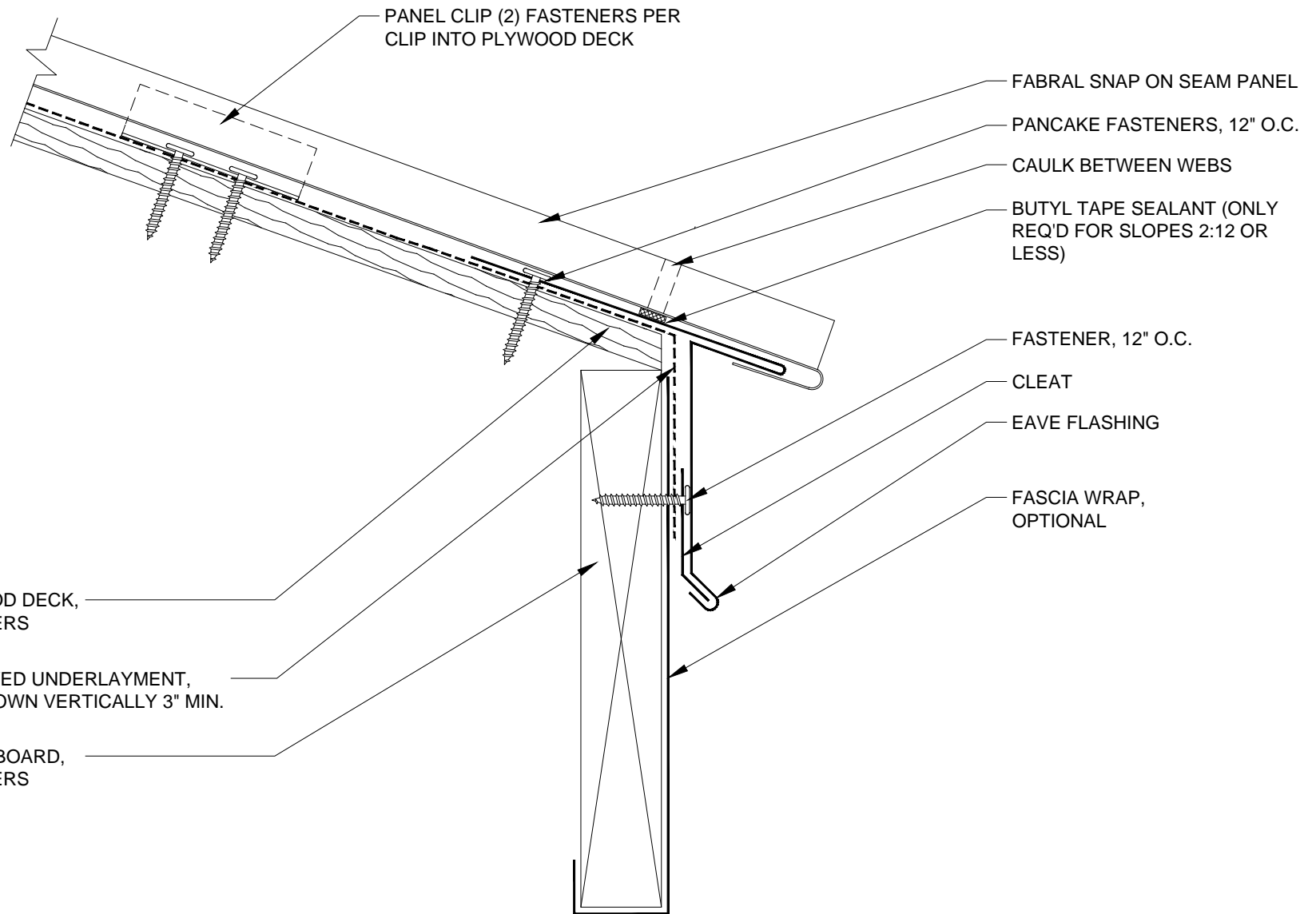
THIS DRAWING IS THE
PROPERTY OF FABRAL,
INC. THE USE OF THIS
DRAWING WITHOUT THE
EXPRESS PERMISSION OF
FABRAL IS PROHIBITED.

FABRAL, INC.
3449 Hempland Road
Lancaster, PA 17601
800-477-2741

SLIDING EAVE W/ GUTTER DETAIL (EG-1)

SNAP-ON-SEAM

Issued:
APRIL 2012



FABRAL®

Project:

Contractor:

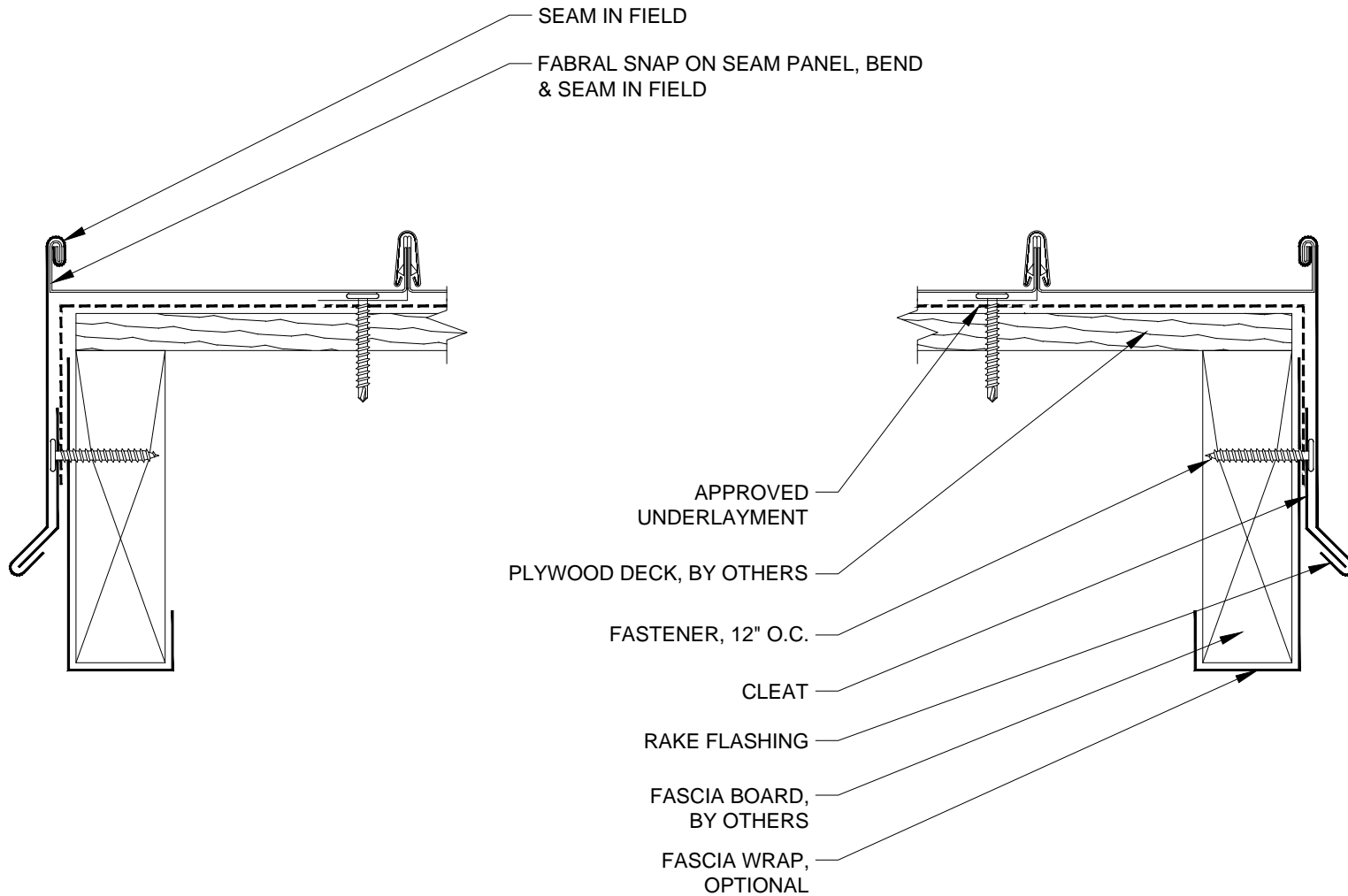
THIS DRAWING IS THE PROPERTY OF FABRAL, INC. THE USE OF THIS DRAWING WITHOUT THE EXPRESS PERMISSION OF FABRAL IS PROHIBITED.

FABRAL, INC.
 3449 Hempland Road
 Lancaster, PA 17601
 800-477-2741

SLIDING EAVE DETAIL (E-1)

SNAP-ON-SEAM

Issued:
 APRIL 2012



FABRAL®

Project:

Contractor:

THIS DRAWING IS THE PROPERTY OF FABRAL, INC. THE USE OF THIS DRAWING WITHOUT THE EXPRESS PERMISSION OF FABRAL IS PROHIBITED.

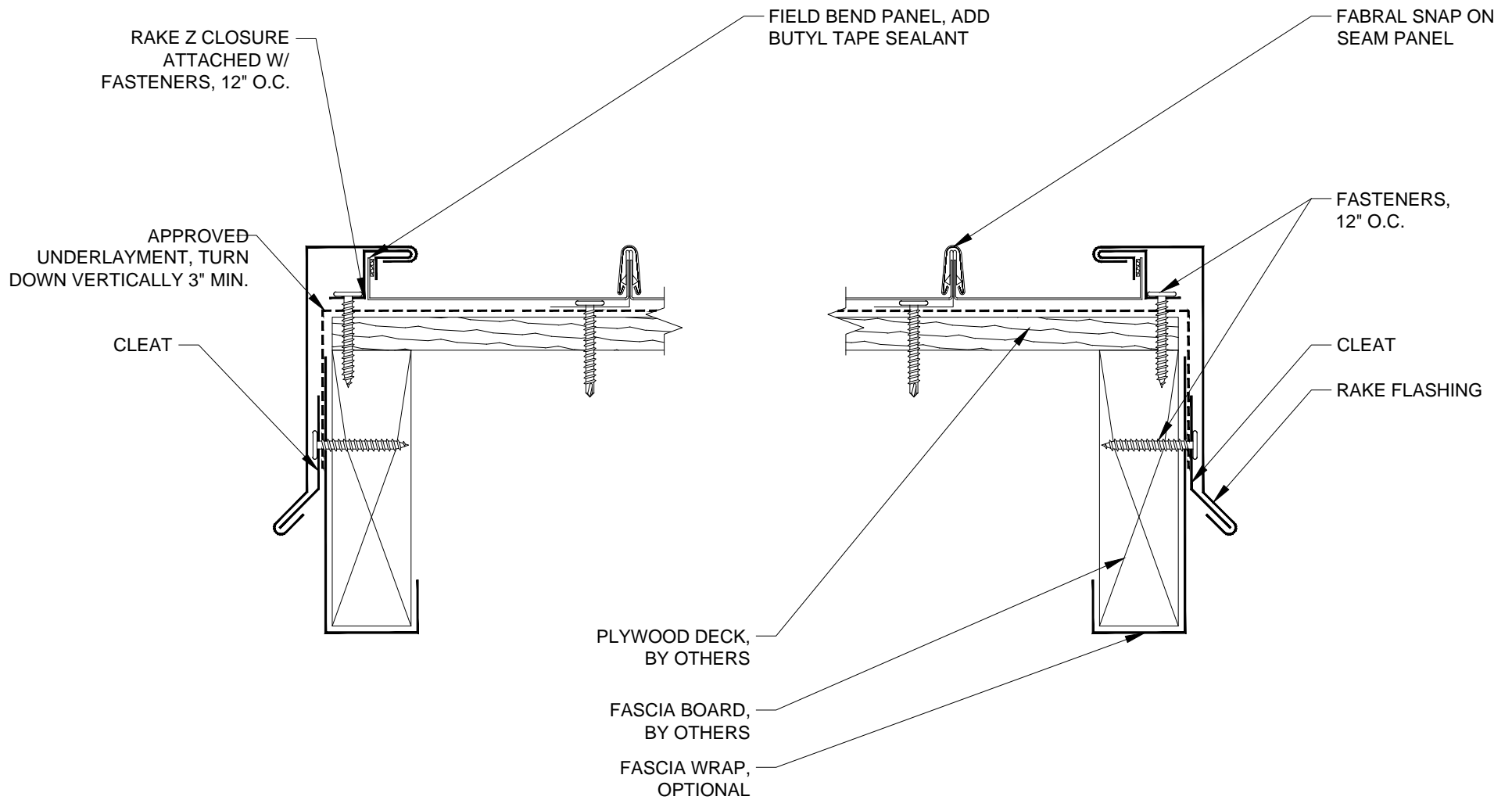
FABRAL, INC.
 3449 Hempland Road
 Lancaster, PA 17601
 800-477-2741

SLIDING GABLE DETAIL (G-1)

SNAP-ON-SEAM

Issued:

APRIL 2012



FABRAL®

Project: _____

Contractor: _____

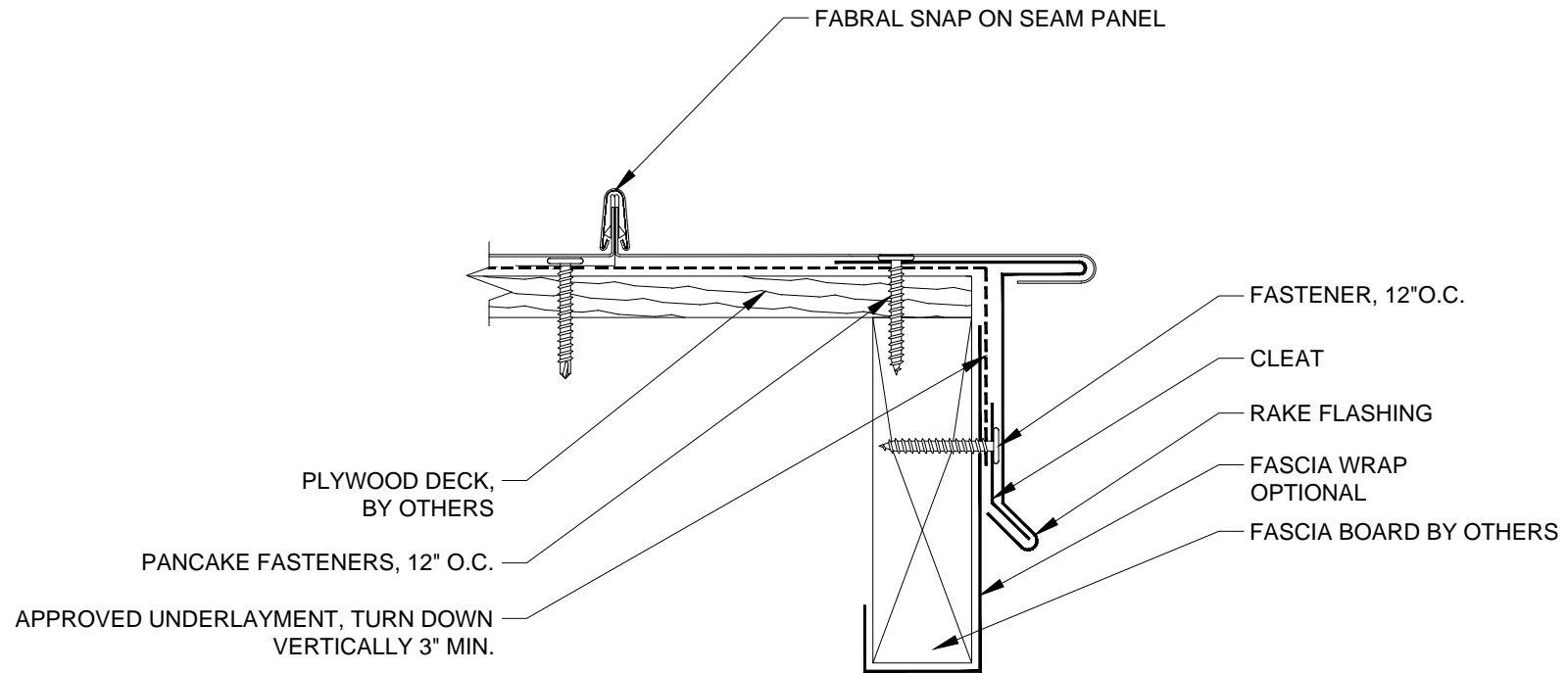
THIS DRAWING IS THE PROPERTY OF FABRAL, INC. THE USE OF THIS DRAWING WITHOUT THE EXPRESS PERMISSION OF FABRAL IS PROHIBITED.

FABRAL, INC.
 3449 Hempland Road
 Lancaster, PA 17601
 800-477-2741

SLIDING GABLE DETAIL (G-2)

SNAP-ON-SEAM

Issued:
 APRIL 2012



FABRAL[®]

Project:

Contractor:

THIS DRAWING IS THE PROPERTY OF FABRAL, INC. THE USE OF THIS DRAWING WITHOUT THE EXPRESS PERMISSION OF FABRAL IS PROHIBITED.

FABRAL, INC.
 3449 Hempland Road
 Lancaster, PA 17601
 800-477-2741

SLIDING GABLE DETAIL (G-3)

SNAP-ON-SEAM

Issued:
 APRIL 2012

FABRAL SNAP ON SEAM PANEL, BOX
PANEL END

FASTENER, 12" O.C.

BUTYL TAPE SEALANT

Z CLOSURE CUT TO FIT, SET IN
BUTYL TAPE SEALANT, (5)
FASTENERS PER PANEL. FILL
ALL VOIDS WITH APPROVED
SEALANT.

PANEL CLIP (2) FASTENERS PER
CLIP INTO PLYWOOD DECK

PLYWOOD DECK BY OTHERS

STRUCTURE BY OTHERS

PEAK FLASHING

APPROVED SEALANT

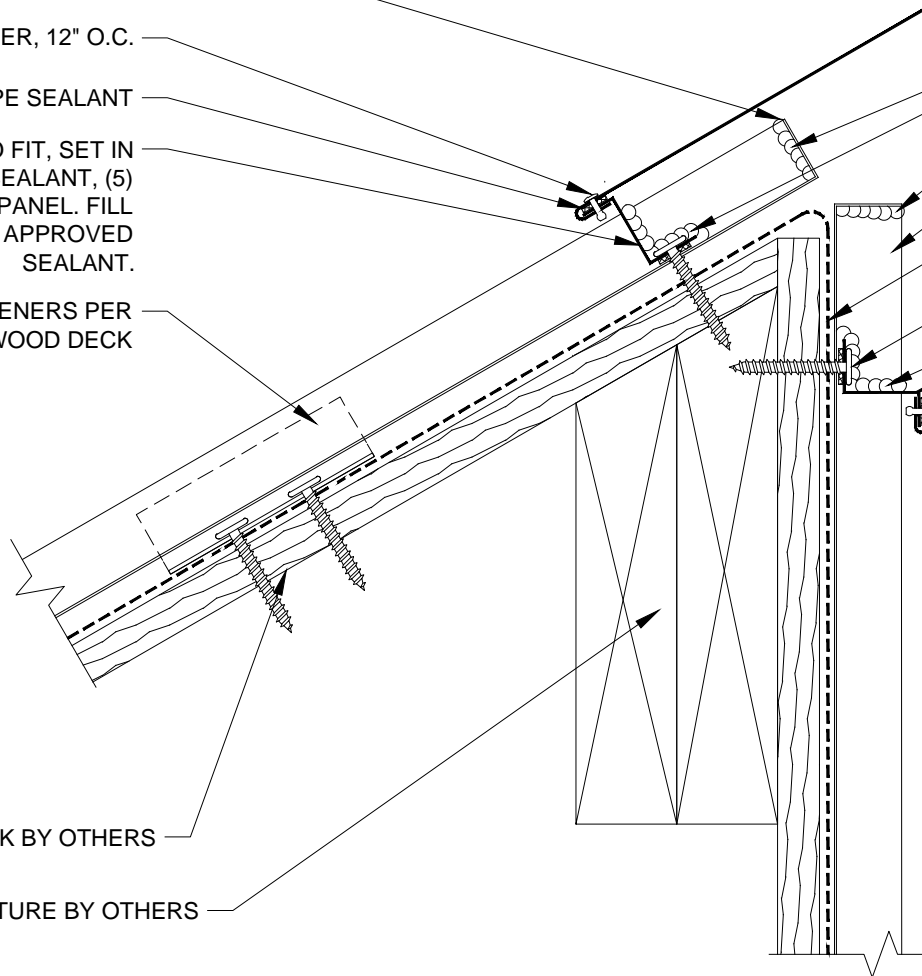
FABRAL SNAP ON SEAM PANEL, BOX
PANEL END

APPROVED UNDERLAYMENT, TURN
DOWN VERTICALLY 3" MIN.

SD FASTENERS, (5)
PER PANEL

APPROVED SEALANT

Z CLOSURE SET IN BUTYL TAPE
SEALANT ATTACHED W/ (5)
FASTENERS PER PANEL



FABRAL[®]

Project:

Contractor:

THIS DRAWING IS THE
PROPERTY OF FABRAL,
INC. THE USE OF THIS
DRAWING WITHOUT THE
EXPRESS PERMISSION OF
FABRAL IS PROHIBITED.

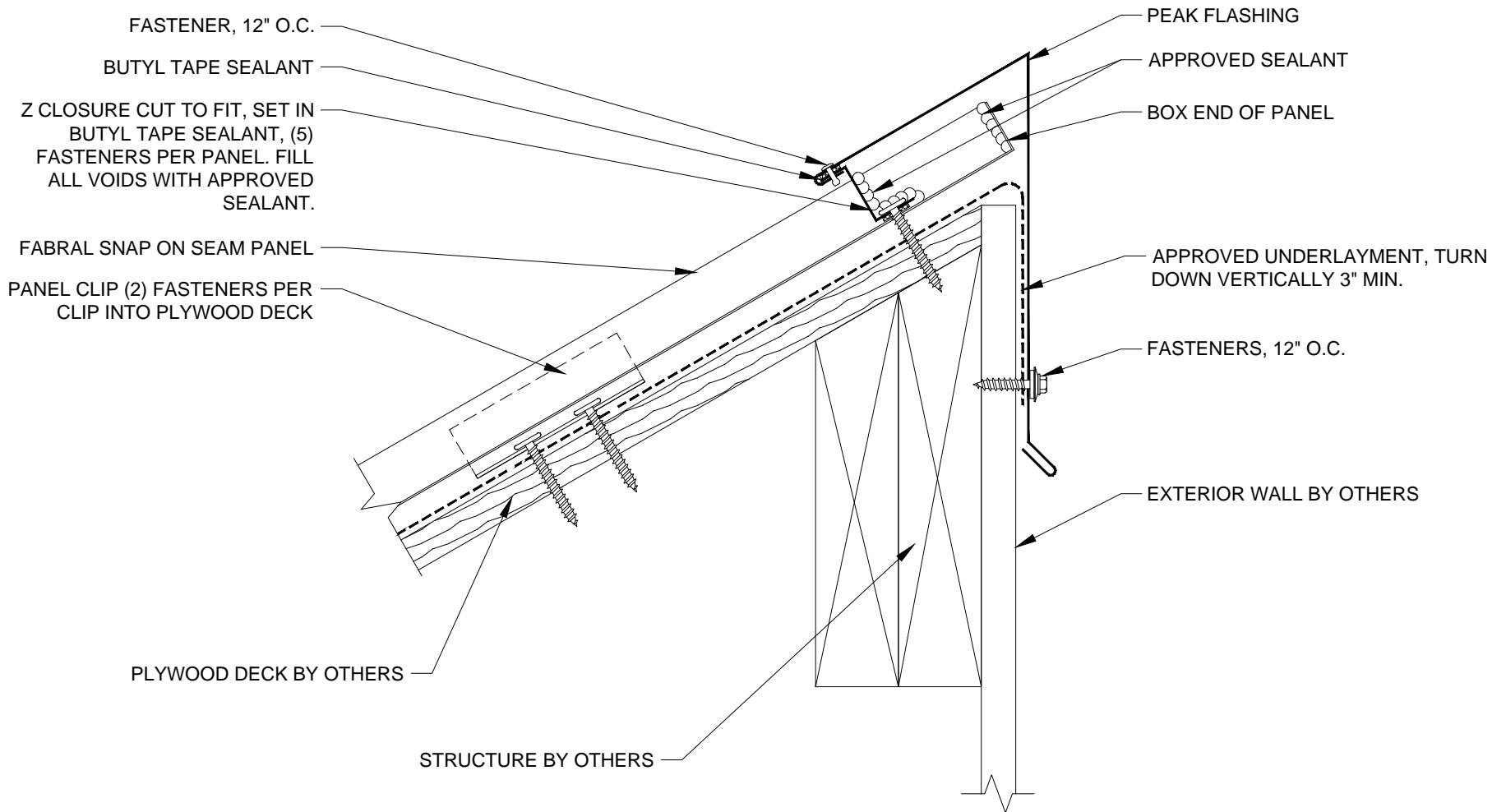
FABRAL, INC.
3449 Hempland Road
Lancaster, PA 17601
800-477-2741

HIGH SIDE EAVE DETAIL (HSE-1)

SNAP-ON-SEAM

Issued:

APRIL 2012



FABRAL®

Project:

Contractor:

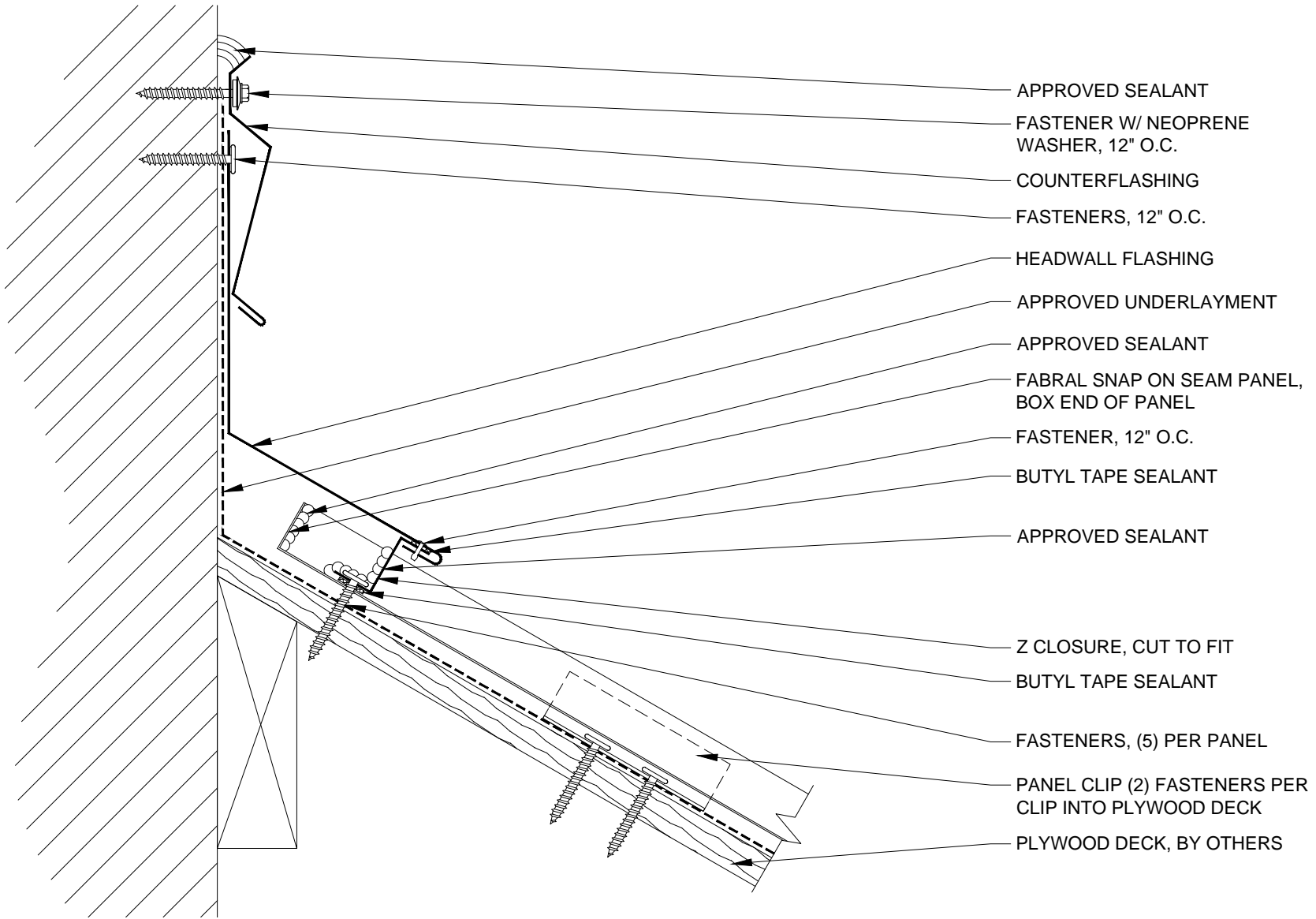
HIGH SIDE EAVE DETAIL (HSE-2)

THIS DRAWING IS THE PROPERTY OF FABRAL, INC. THE USE OF THIS DRAWING WITHOUT THE EXPRESS PERMISSION OF FABRAL IS PROHIBITED.

FABRAL, INC.
 3449 Hempland Road
 Lancaster, PA 17601
 800-477-2741

SNAP-ON-SEAM

APRIL 2012



FABRAL®

Project:

Contractor:

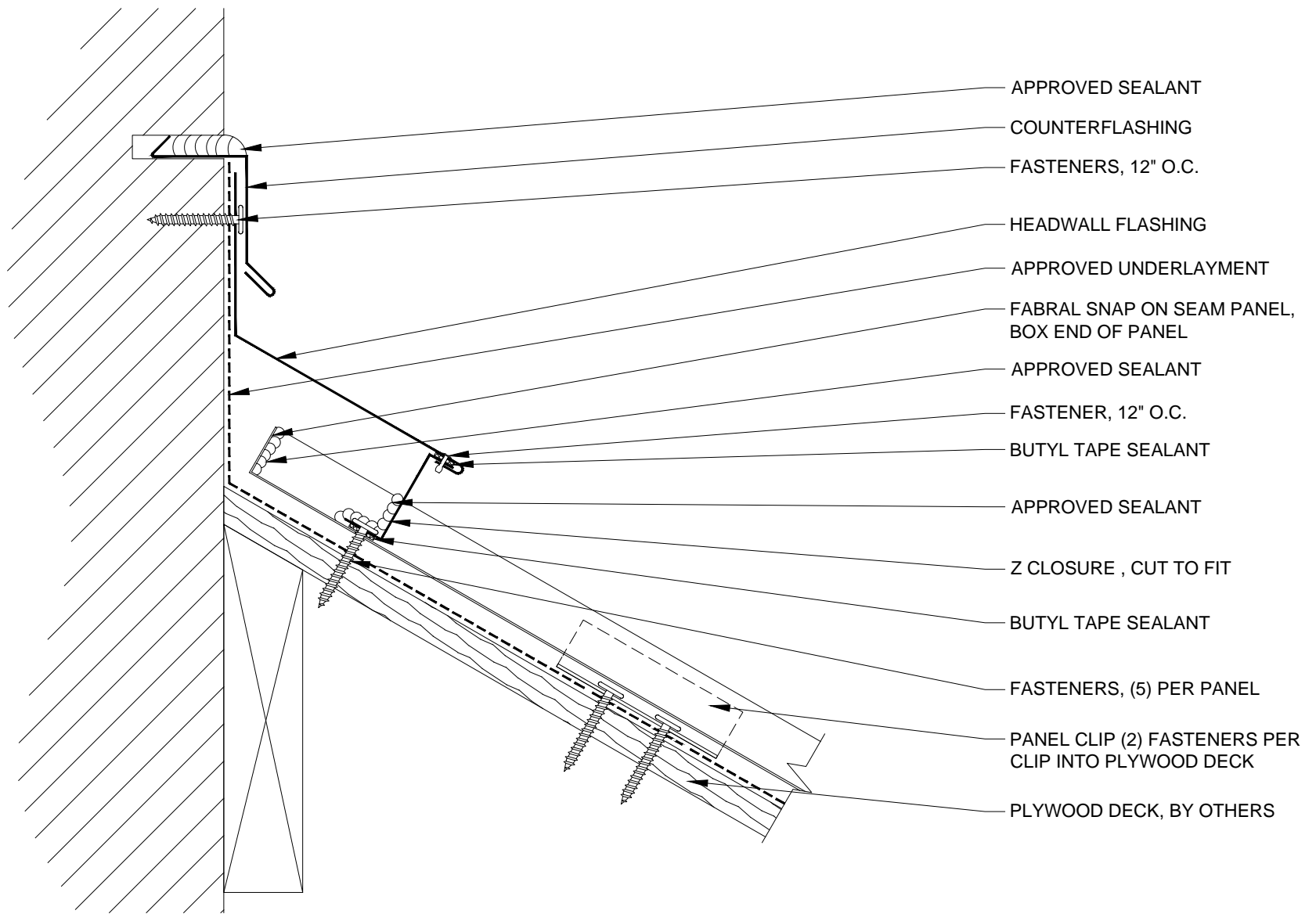
THIS DRAWING IS THE PROPERTY OF FABRAL, INC. THE USE OF THIS DRAWING WITHOUT THE EXPRESS PERMISSION OF FABRAL IS PROHIBITED.

FABRAL, INC.
 3449 Hempland Road
 Lancaster, PA 17601
 800-477-2741

HEADWALL DETAIL (HW-1)

SNAP-ON-SEAM

Issued:
 APRIL 2012



FABRAL®

Project:

Contractor:

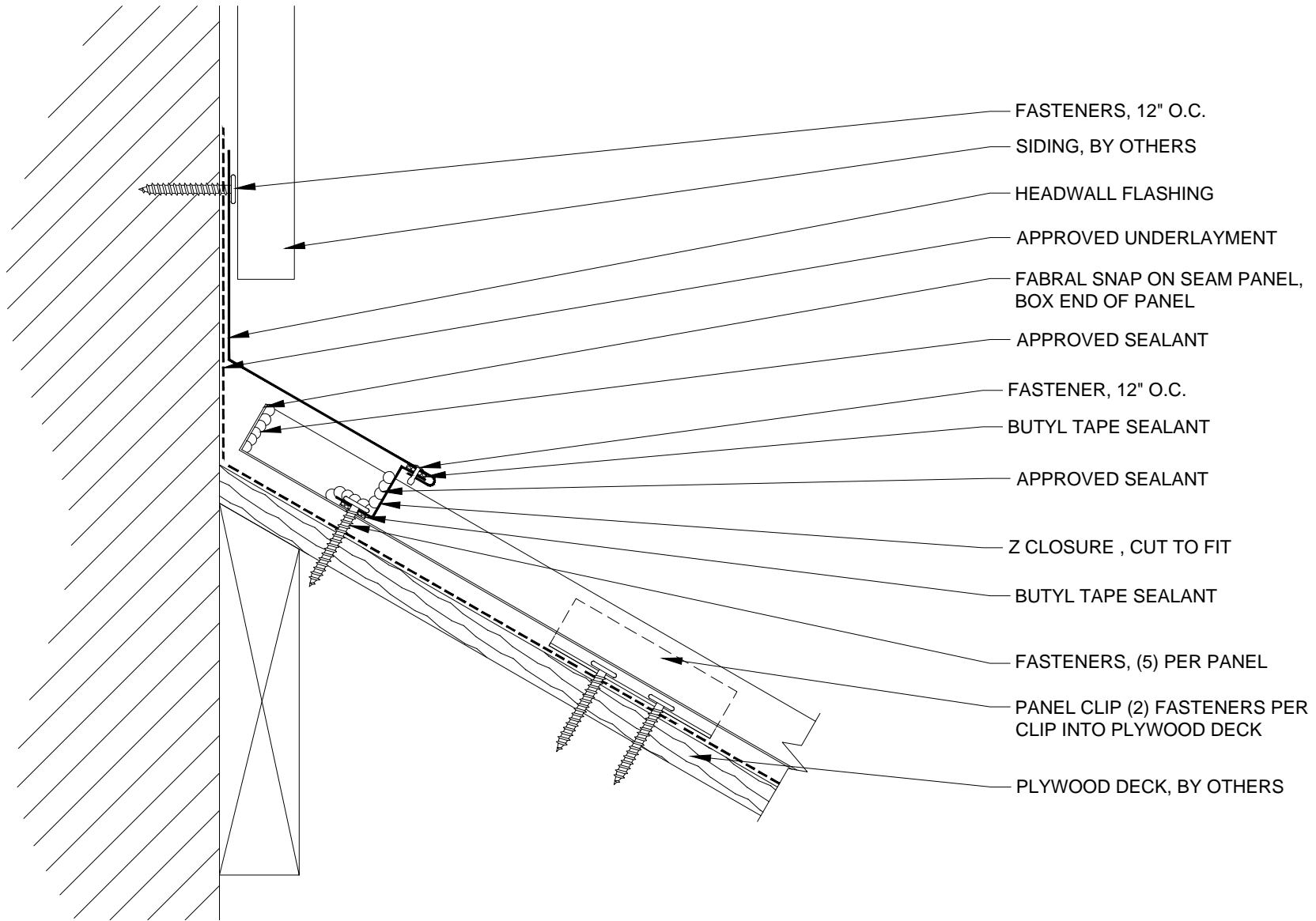
THIS DRAWING IS THE PROPERTY OF FABRAL, INC. THE USE OF THIS DRAWING WITHOUT THE EXPRESS PERMISSION OF FABRAL IS PROHIBITED.

FABRAL, INC.
 3449 Hempland Road
 Lancaster, PA 17601
 800-477-2741

HEADWALL DETAIL (HW-2)

SNAP-ON-SEAM

Issued:
 APRIL 2012



FABRAL®

Project:

Contractor:

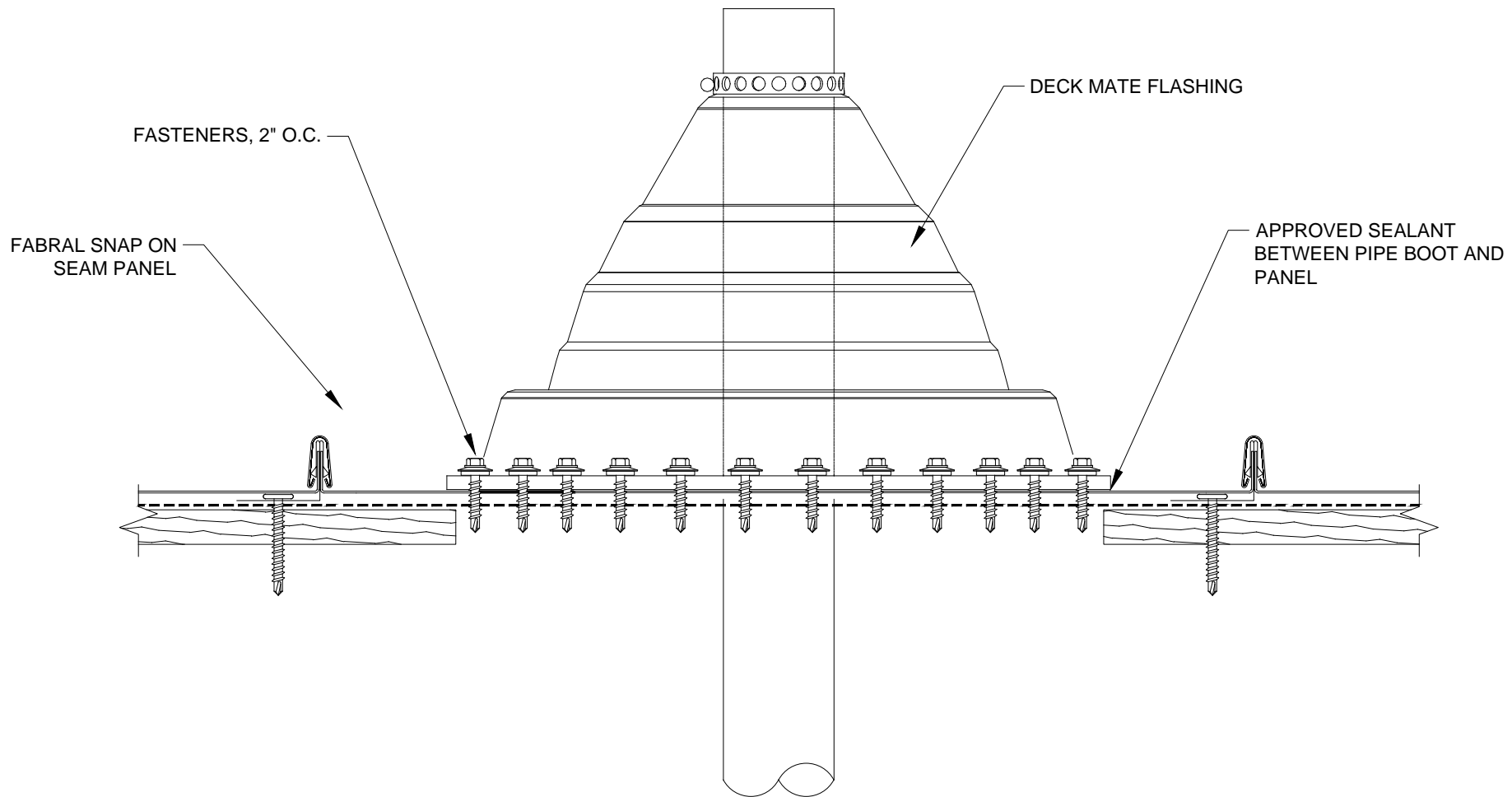
THIS DRAWING IS THE PROPERTY OF FABRAL, INC. THE USE OF THIS DRAWING WITHOUT THE EXPRESS PERMISSION OF FABRAL IS PROHIBITED.

FABRAL, INC.
 3449 Hempland Road
 Lancaster, PA 17601
 800-477-2741

HEADWALL DETAIL (HW-3)

SNAP-ON-SEAM

Issued:
 APRIL 2012



FABRAL®

Project: _____

Contractor: _____

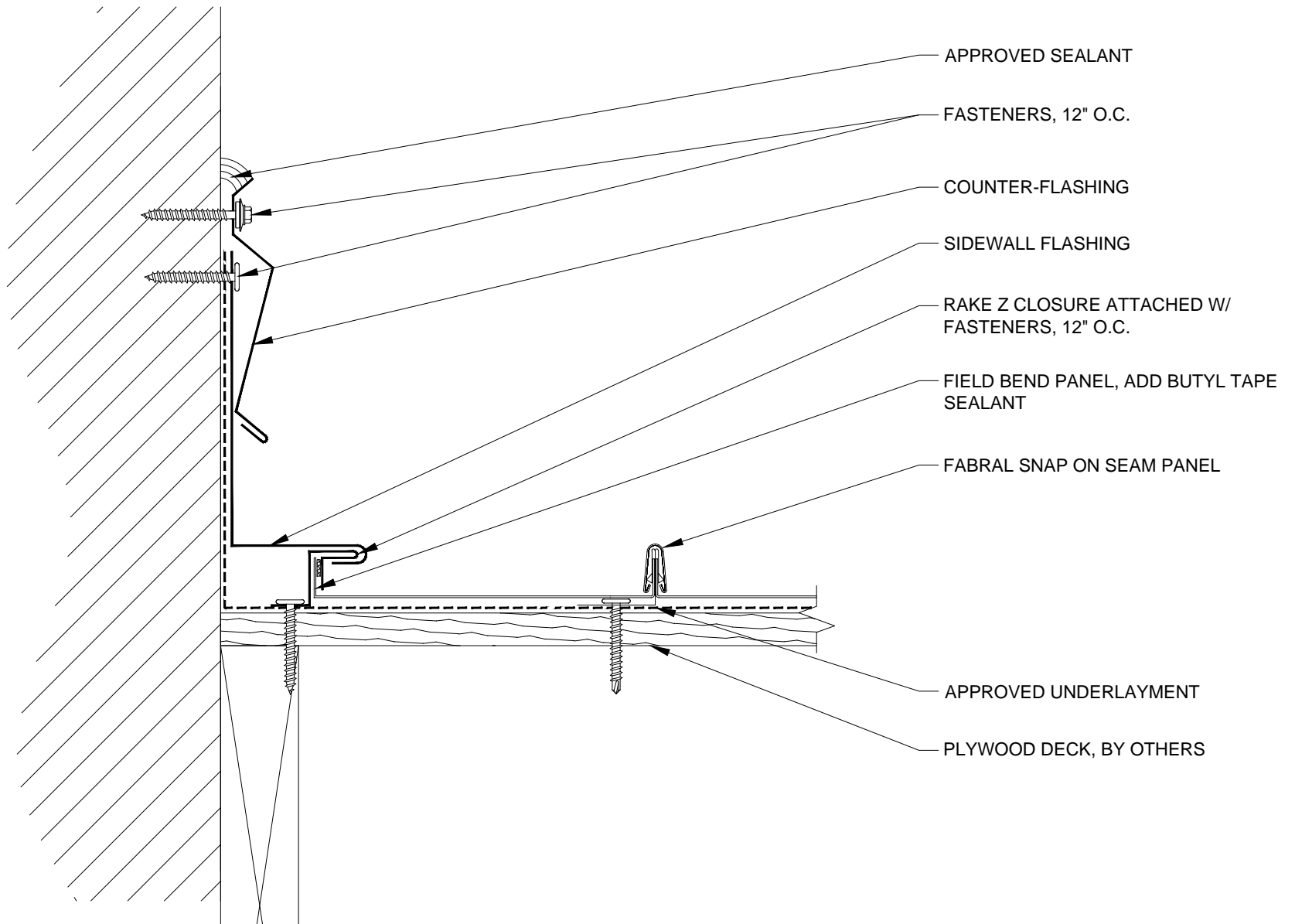
THIS DRAWING IS THE
PROPERTY OF FABRAL,
INC. THE USE OF THIS
DRAWING WITHOUT THE
EXPRESS PERMISSION OF
FABRAL IS PROHIBITED.

FABRAL, INC.
3449 Hempland Road
Lancaster, PA 17601
800-477-2741

PENETRATION DETAIL (P-1)

SNAP-ON-SEAM

Issued:
APRIL 2012



FABRAL®

Project:

Contractor:

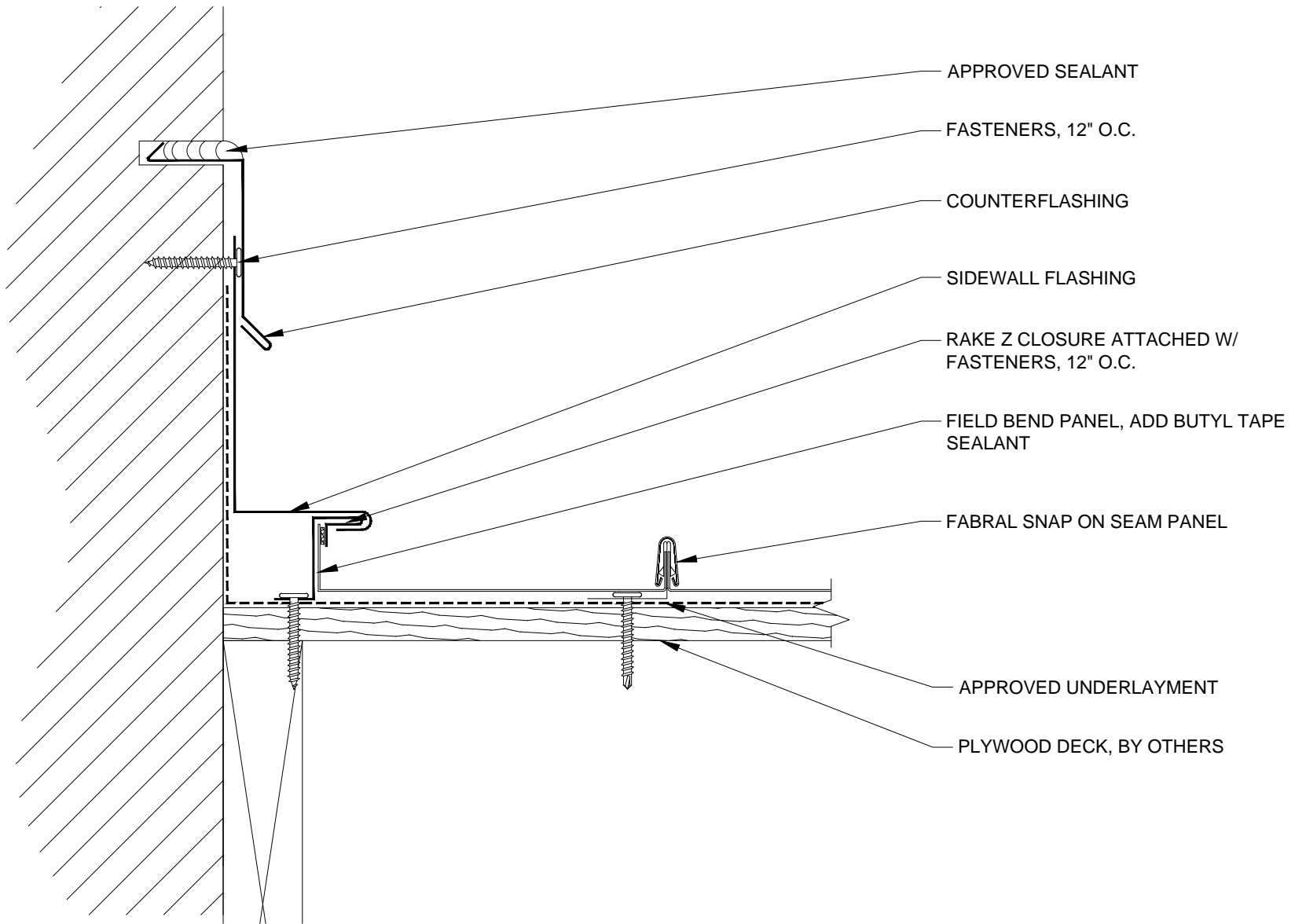
THIS DRAWING IS THE PROPERTY OF FABRAL, INC. THE USE OF THIS DRAWING WITHOUT THE EXPRESS PERMISSION OF FABRAL IS PROHIBITED.

FABRAL, INC.
 3449 Hempland Road
 Lancaster, PA 17601
 800-477-2741

SIDEWALL DETAIL (SW-1)

SNAP-ON-SEAM

Issued:
 APRIL 2012



FABRAL®

Project:

Contractor:

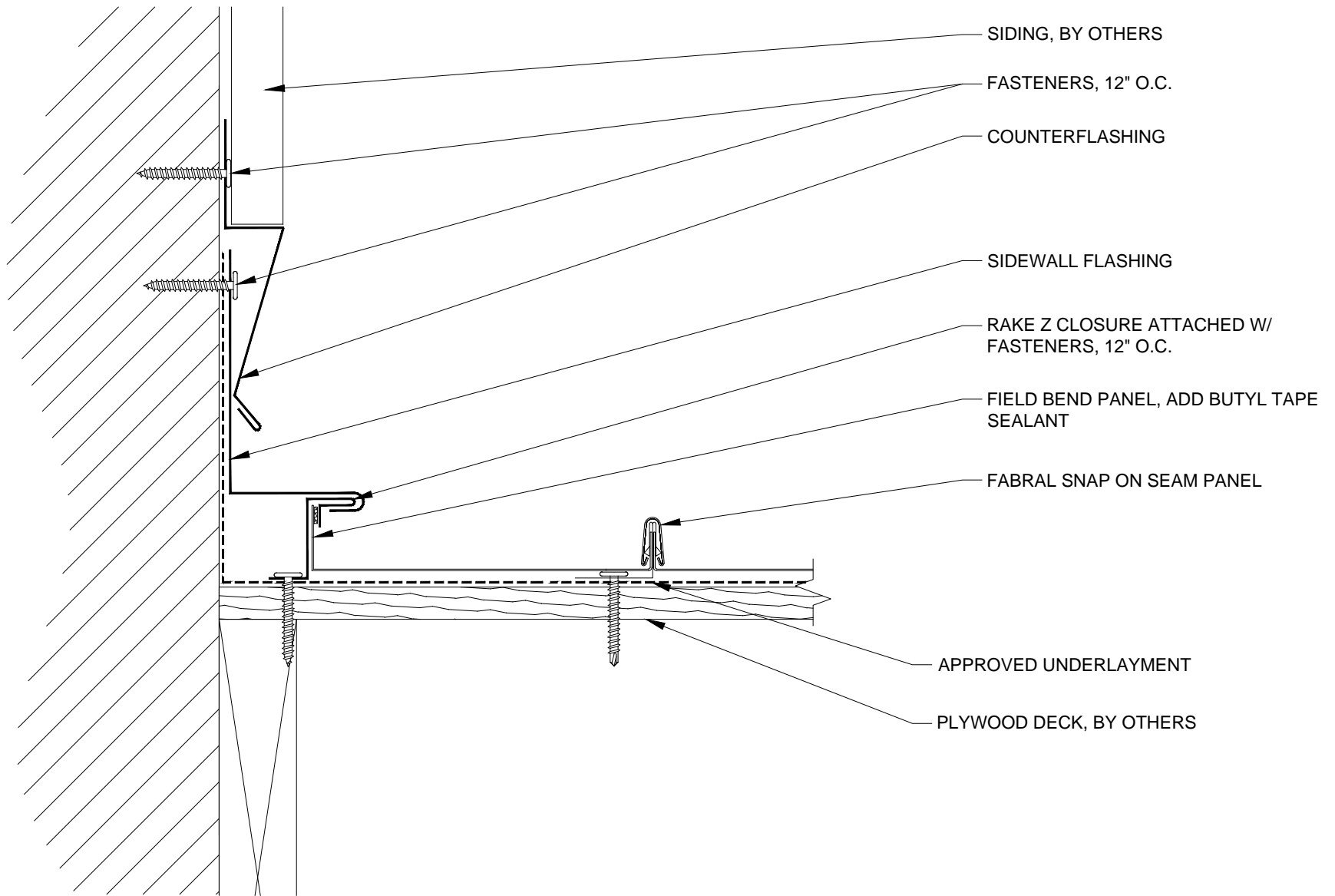
THIS DRAWING IS THE PROPERTY OF FABRAL, INC. THE USE OF THIS DRAWING WITHOUT THE EXPRESS PERMISSION OF FABRAL IS PROHIBITED.

FABRAL, INC.
 3449 Hempland Road
 Lancaster, PA 17601
 800-477-2741

SIDEWALL DETAIL (SW-2)

SNAP-ON-SEAM

Issued:
 APRIL 2012



FABRAL®

Project:

Contractor:

THIS DRAWING IS THE
 PROPERTY OF FABRAL,
 INC. THE USE OF THIS
 DRAWING WITHOUT THE
 EXPRESS PERMISSION OF
 FABRAL IS PROHIBITED.

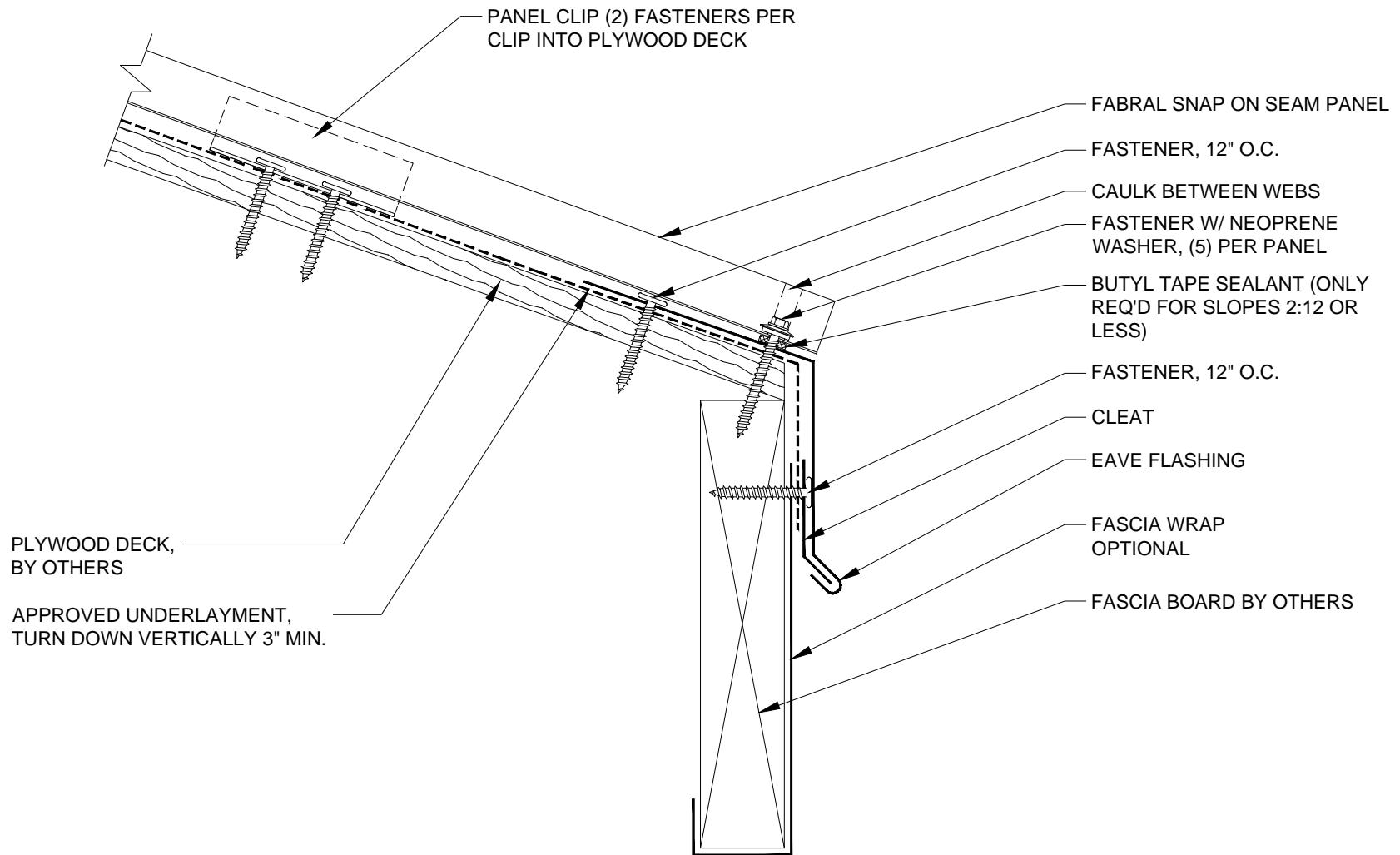
FABRAL, INC.
 3449 Hempland Road
 Lancaster, PA 17601
 800-477-2741

SIDEWALL DETAIL (SW-3)

SNAP-ON-SEAM

Issued:

APRIL 2012



FABRAL®

Project: _____

Contractor: _____

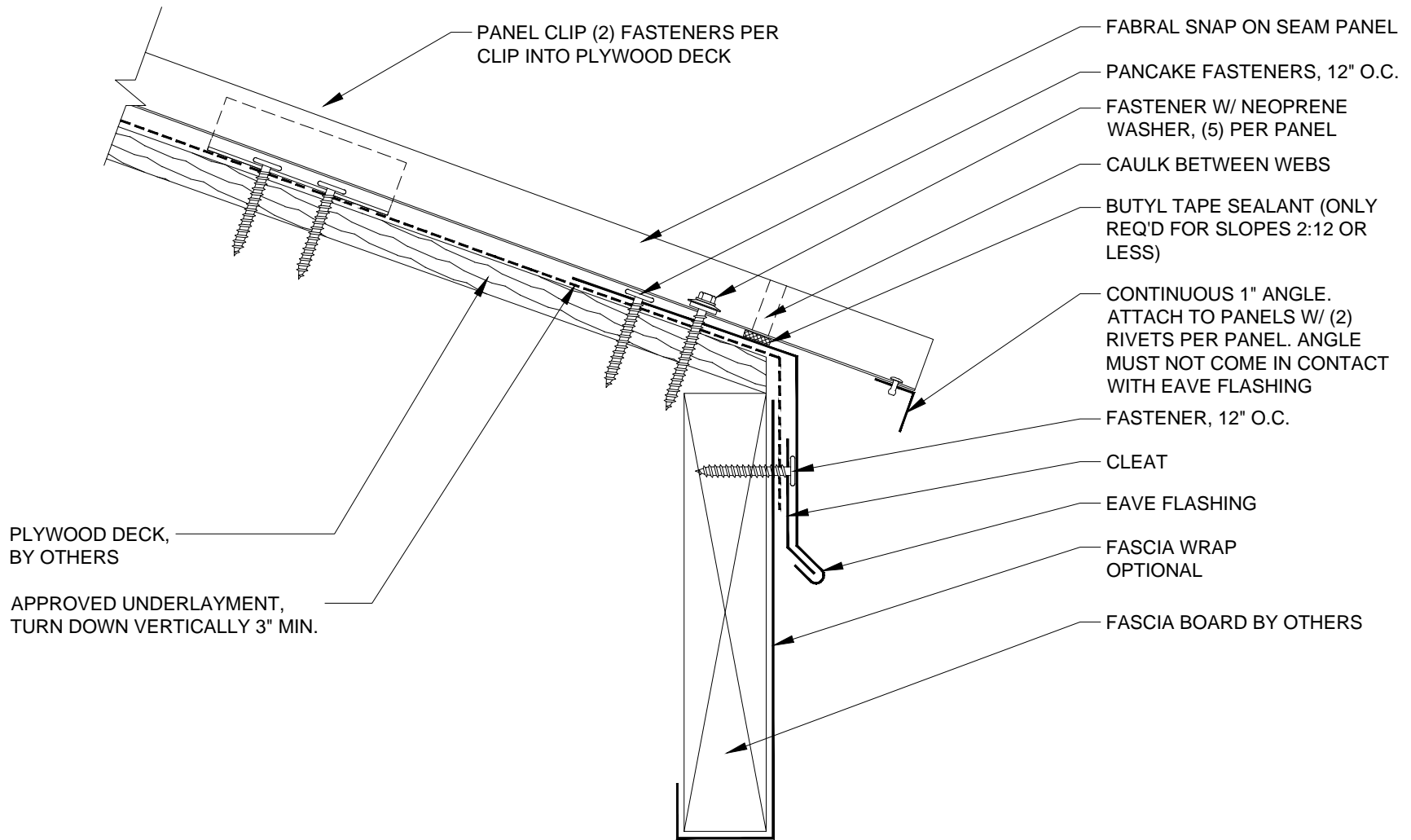
THIS DRAWING IS THE PROPERTY OF FABRAL, INC. THE USE OF THIS DRAWING WITHOUT THE EXPRESS PERMISSION OF FABRAL IS PROHIBITED.

FABRAL, INC.
 3449 Hempland Road
 Lancaster, PA 17601
 800-477-2741

FIXED EAVE DETAIL (FE-1)

SNAP-ON-SEAM

Issued:
 APRIL 2012



FABRAL[®]

Project:

Contractor:

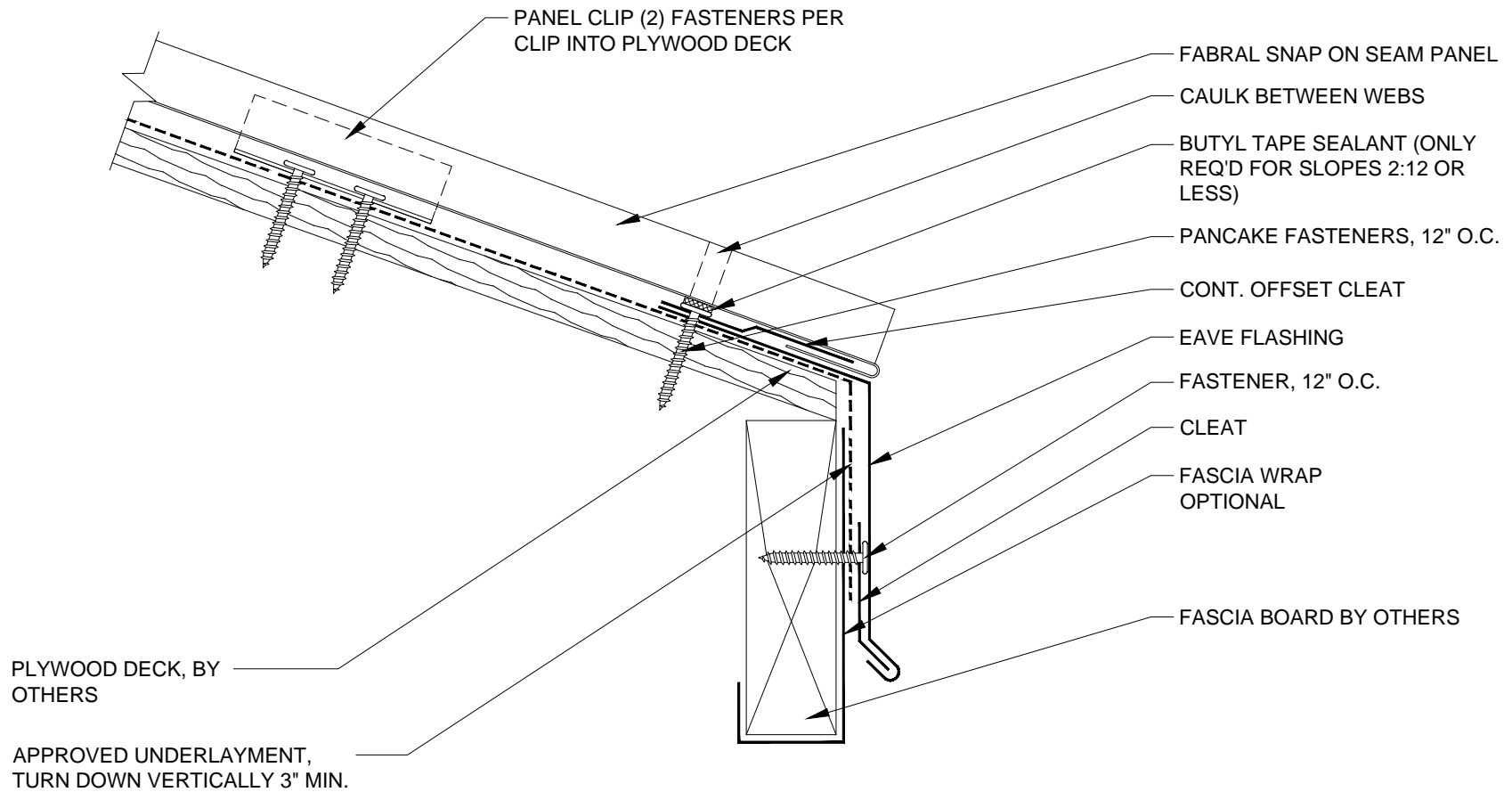
THIS DRAWING IS THE PROPERTY OF FABRAL, INC. THE USE OF THIS DRAWING WITHOUT THE EXPRESS PERMISSION OF FABRAL IS PROHIBITED.

FABRAL, INC.
 3449 Hempland Road
 Lancaster, PA 17601
 800-477-2741

FIXED EAVE DETAIL (FE-2)

SNAP-ON-SEAM

Issued:
 APRIL 2012



FABRAL[®]

Project:

Contractor:

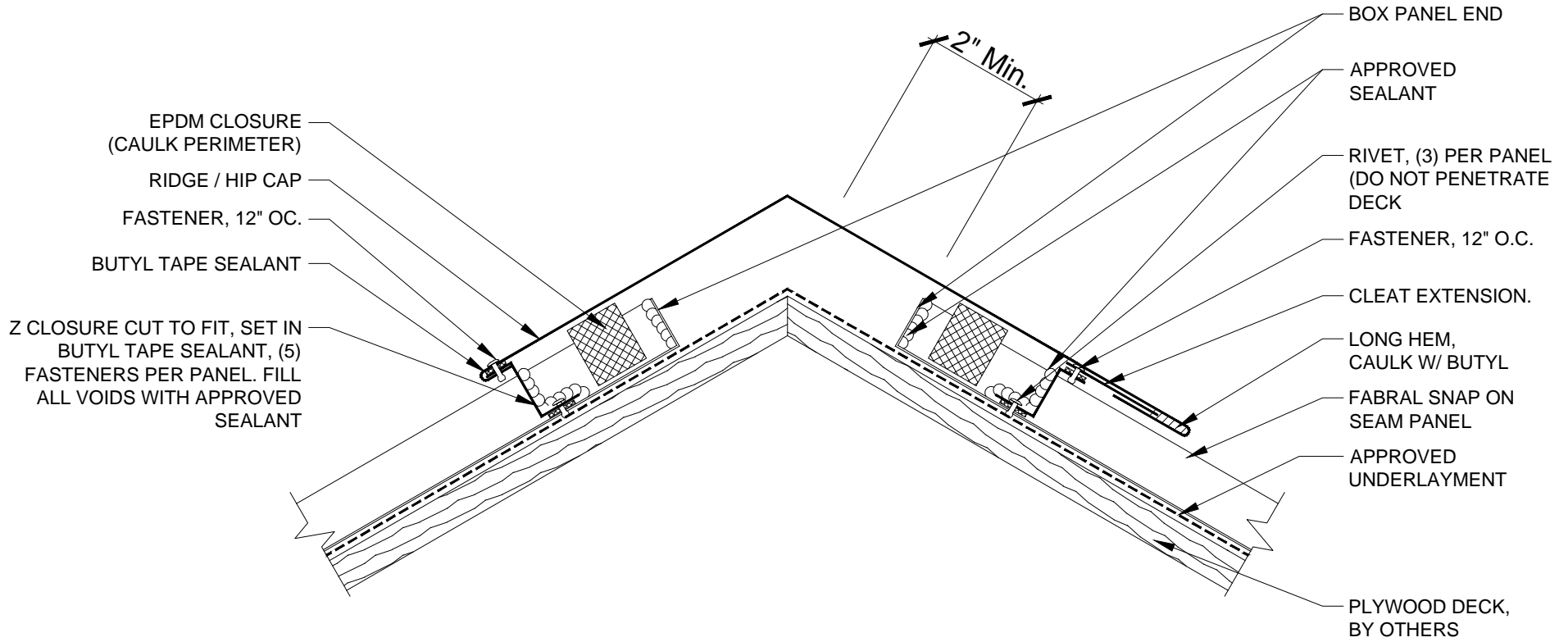
THIS DRAWING IS THE PROPERTY OF FABRAL, INC. THE USE OF THIS DRAWING WITHOUT THE EXPRESS PERMISSION OF FABRAL IS PROHIBITED.

FABRAL, INC.
 3449 Hempland Road
 Lancaster, PA 17601
 800-477-2741

SLIDING EAVE DETAIL (E-2)

SNAP-ON-SEAM

Issued:
 APRIL 2012



FABRAL®

Project:

Contractor:

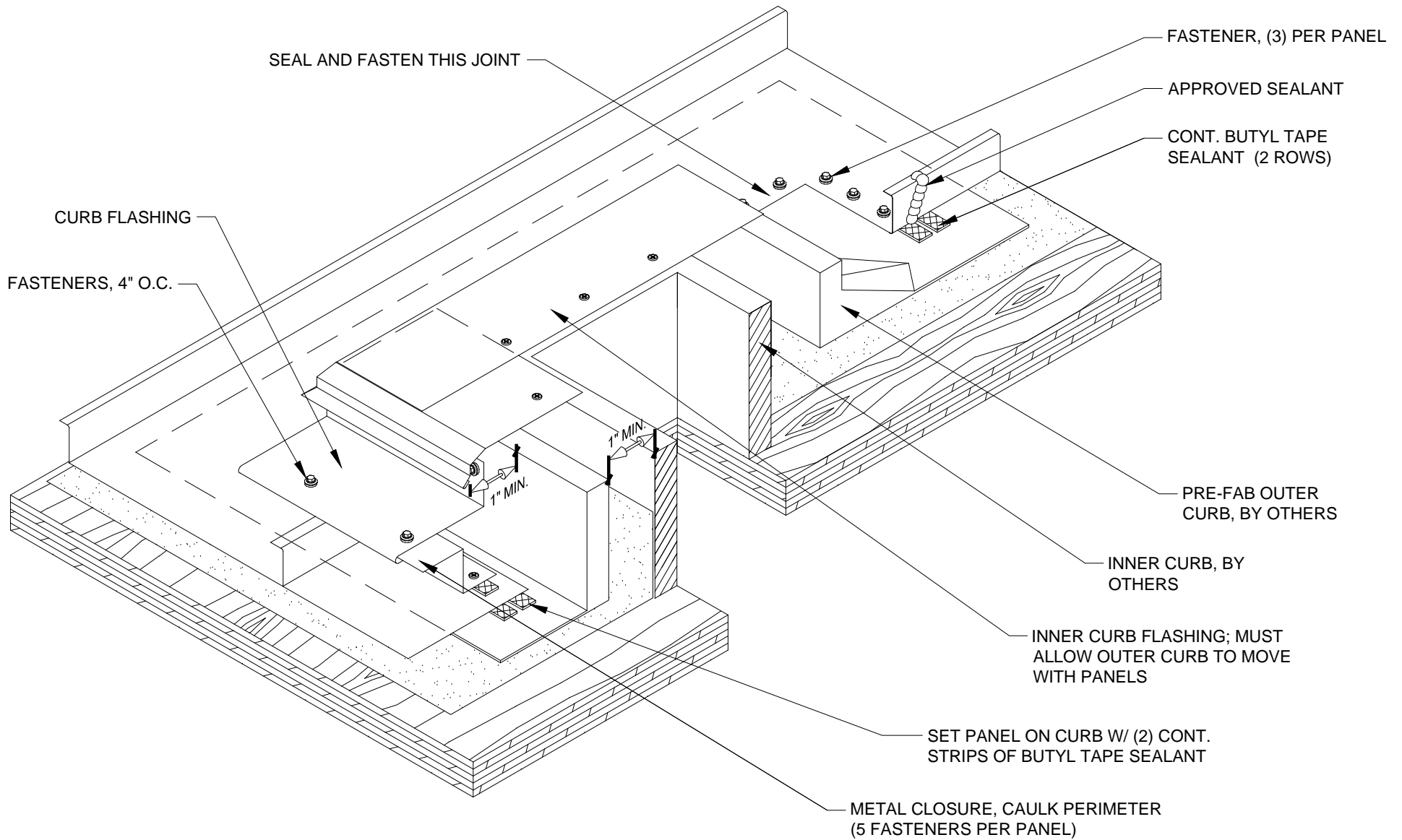
THIS DRAWING IS THE PROPERTY OF FABRAL, INC. THE USE OF THIS DRAWING WITHOUT THE EXPRESS PERMISSION OF FABRAL IS PROHIBITED.

FABRAL, INC.
 3449 Hempland Road
 Lancaster, PA 17601
 800-477-2741

SLIDING HIP/RIDGE DETAIL (HR-2)

SNAP-ON-SEAM

Issued:
 APRIL 2012



FABRAL®

Project: _____

Contractor: _____

THIS DRAWING IS THE PROPERTY OF FABRAL, INC. THE USE OF THIS DRAWING WITHOUT THE EXPRESS PERMISSION OF FABRAL IS PROHIBITED.

FABRAL, INC.
 3449 Hempland Road
 Lancaster, PA 17601
 800-477-2741

CURB DETAIL (CB-1)

SNAP-ON-SEAM

Issued:
 APRIL 2012