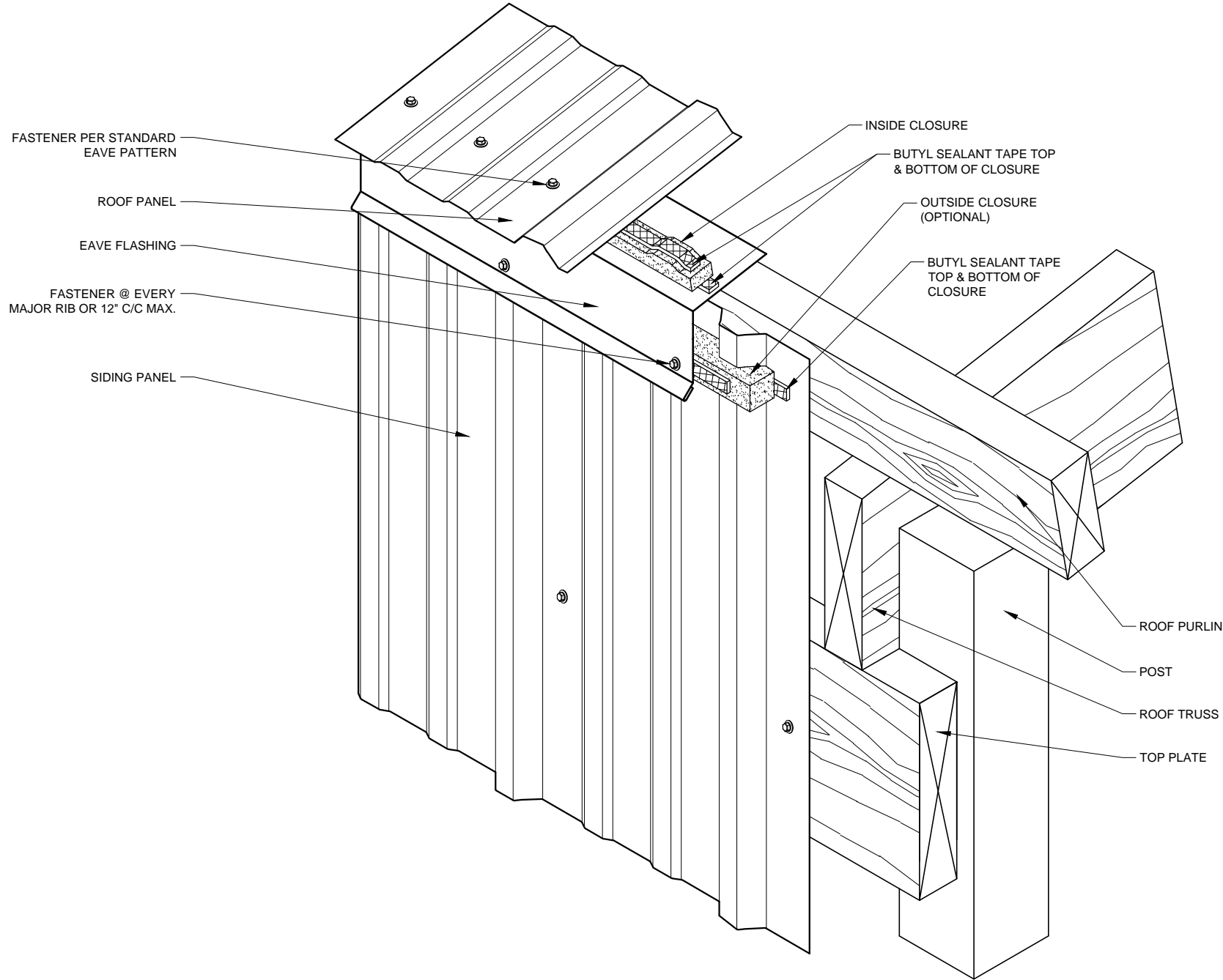
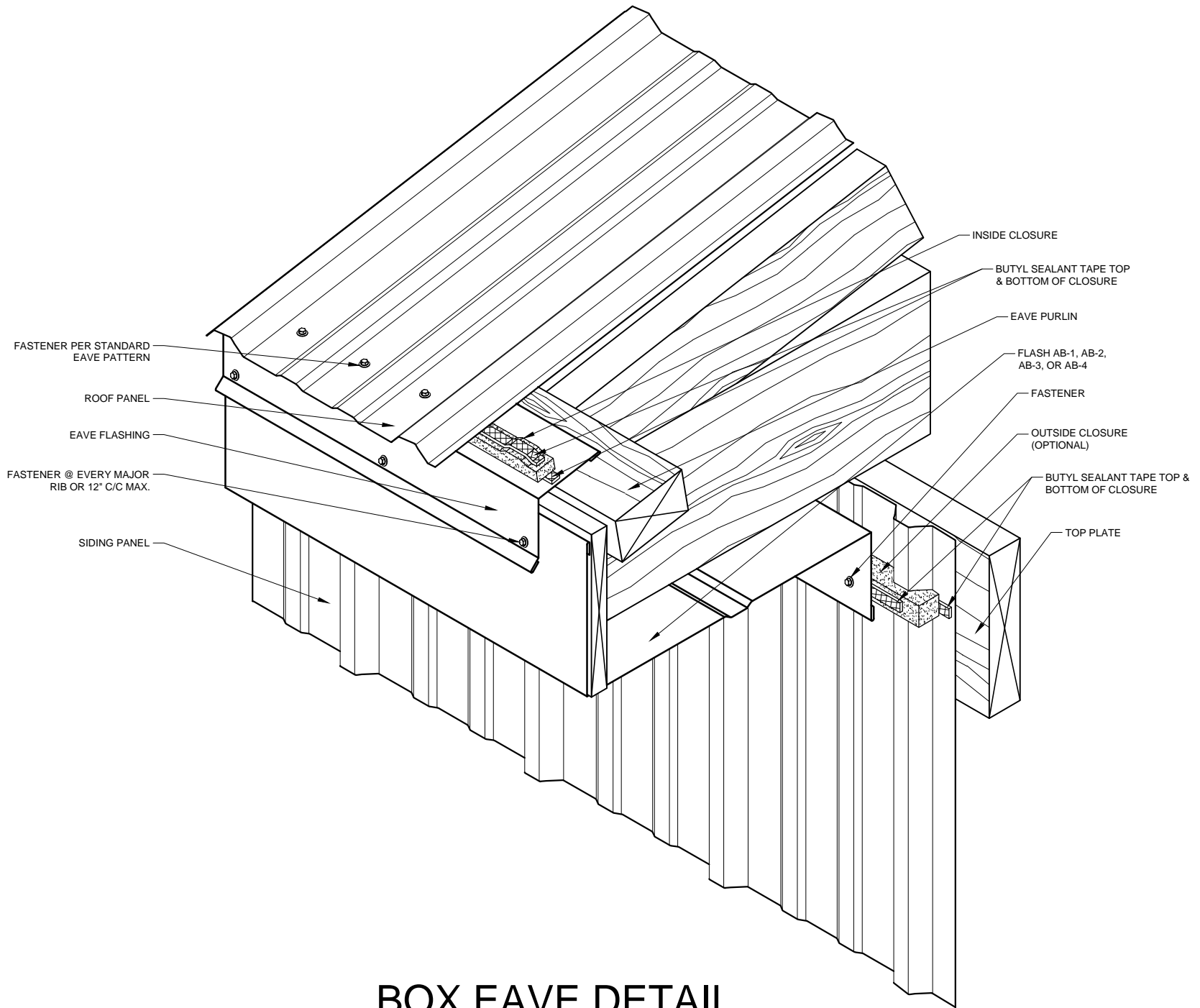


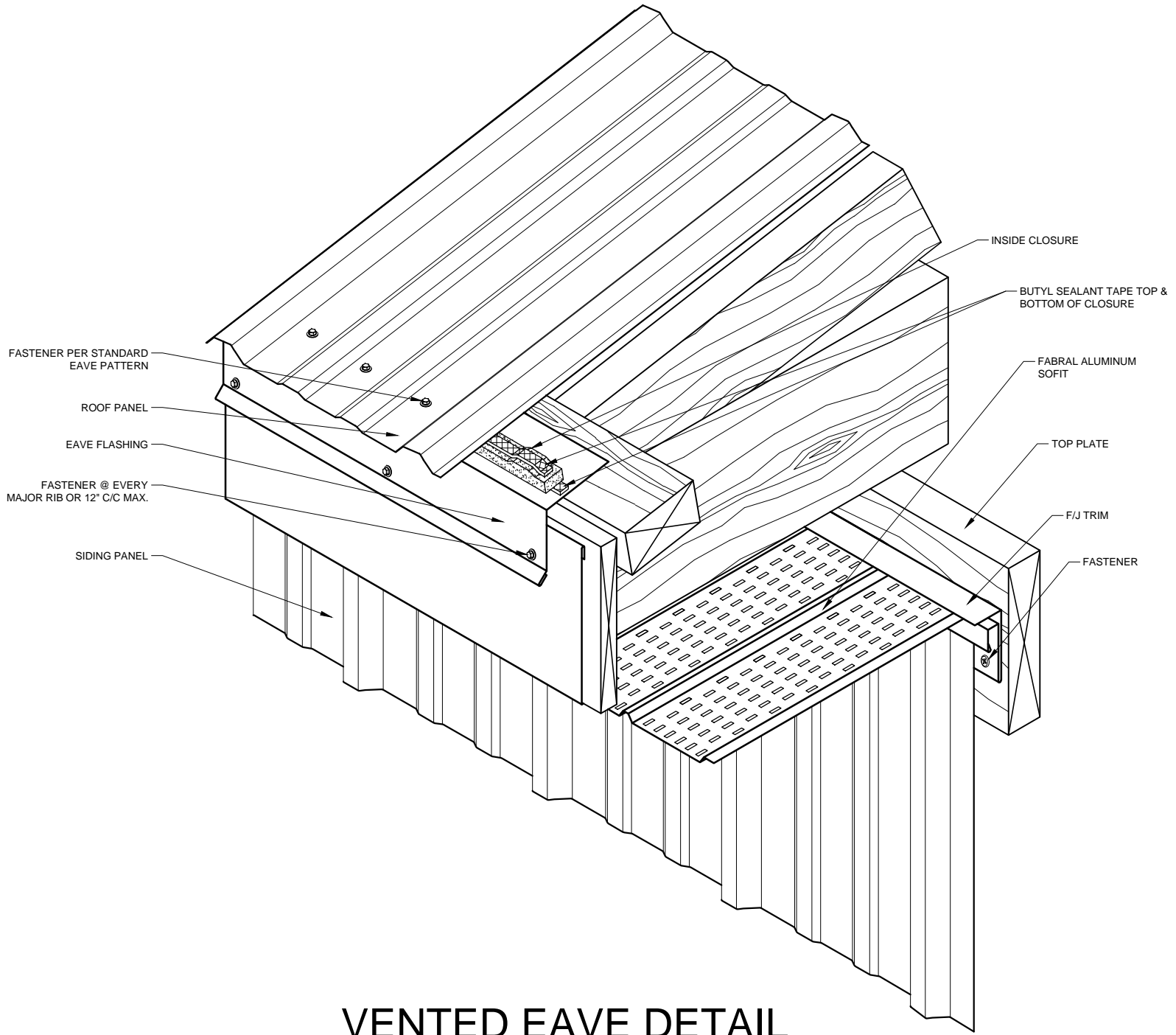
VENTED GABLE DETAIL



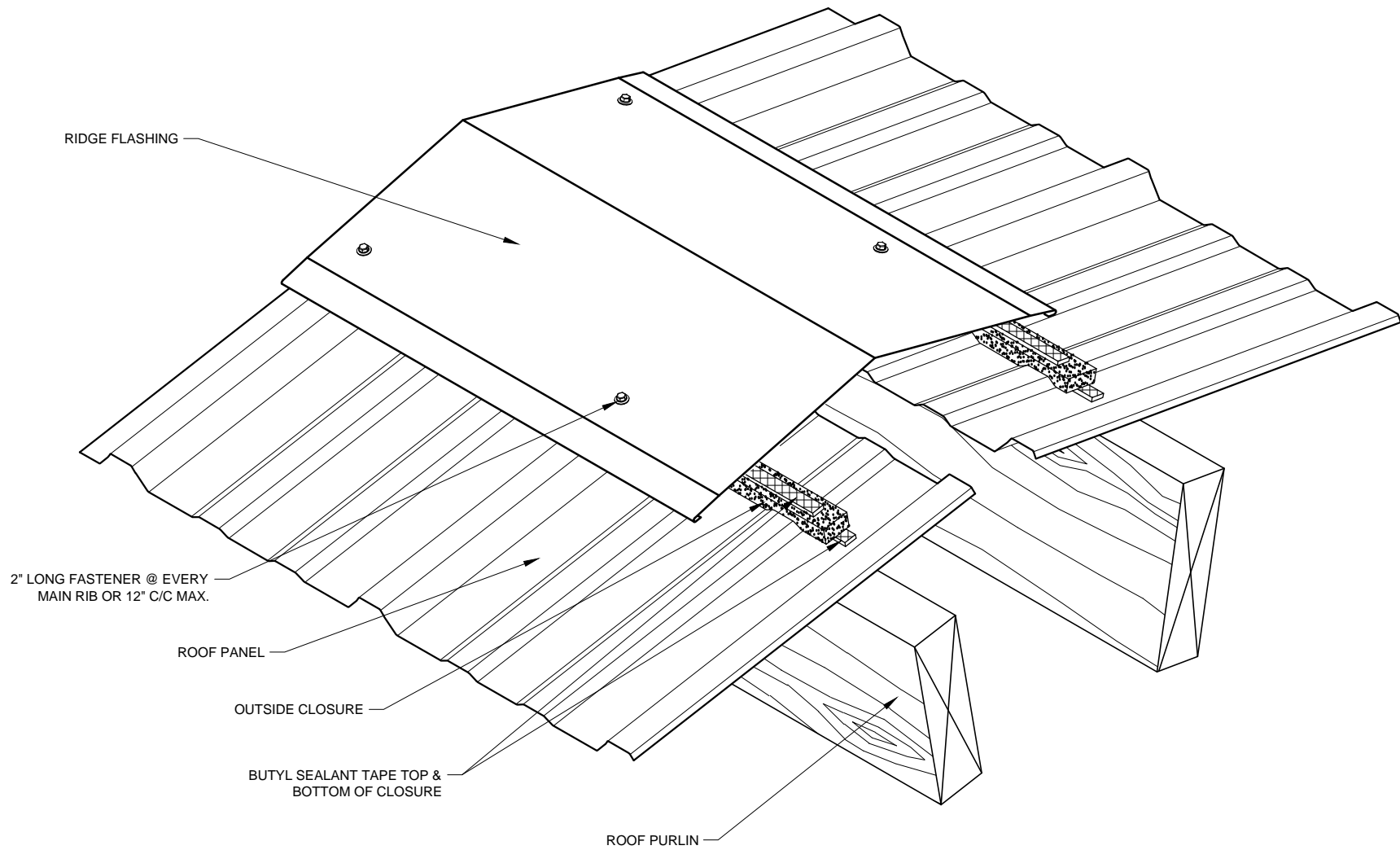
EAVE DETAIL



BOX EAVE DETAIL

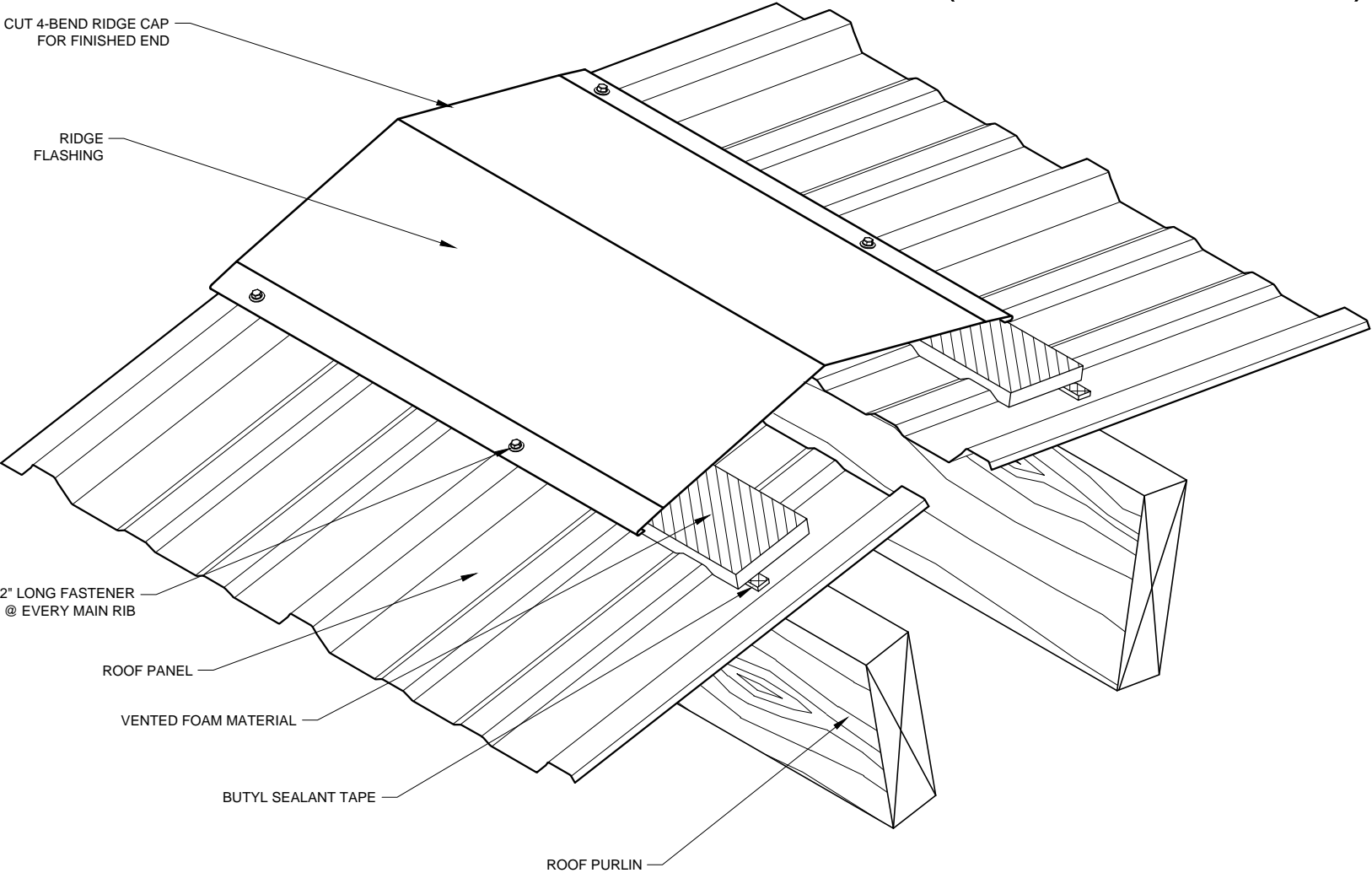


VENTED EAVE DETAIL

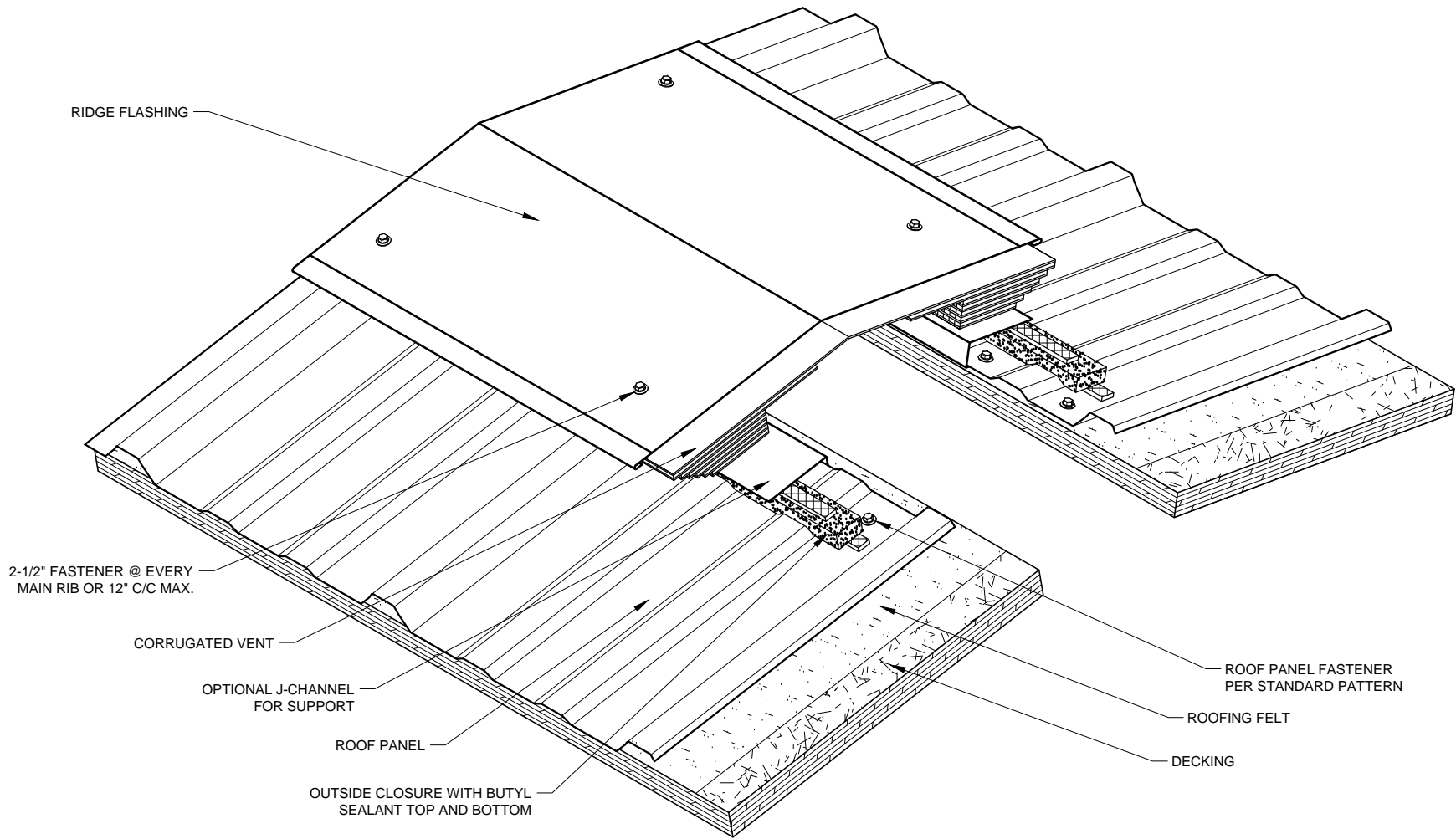


RIDGE/PEAK - NON VENTED DETAIL

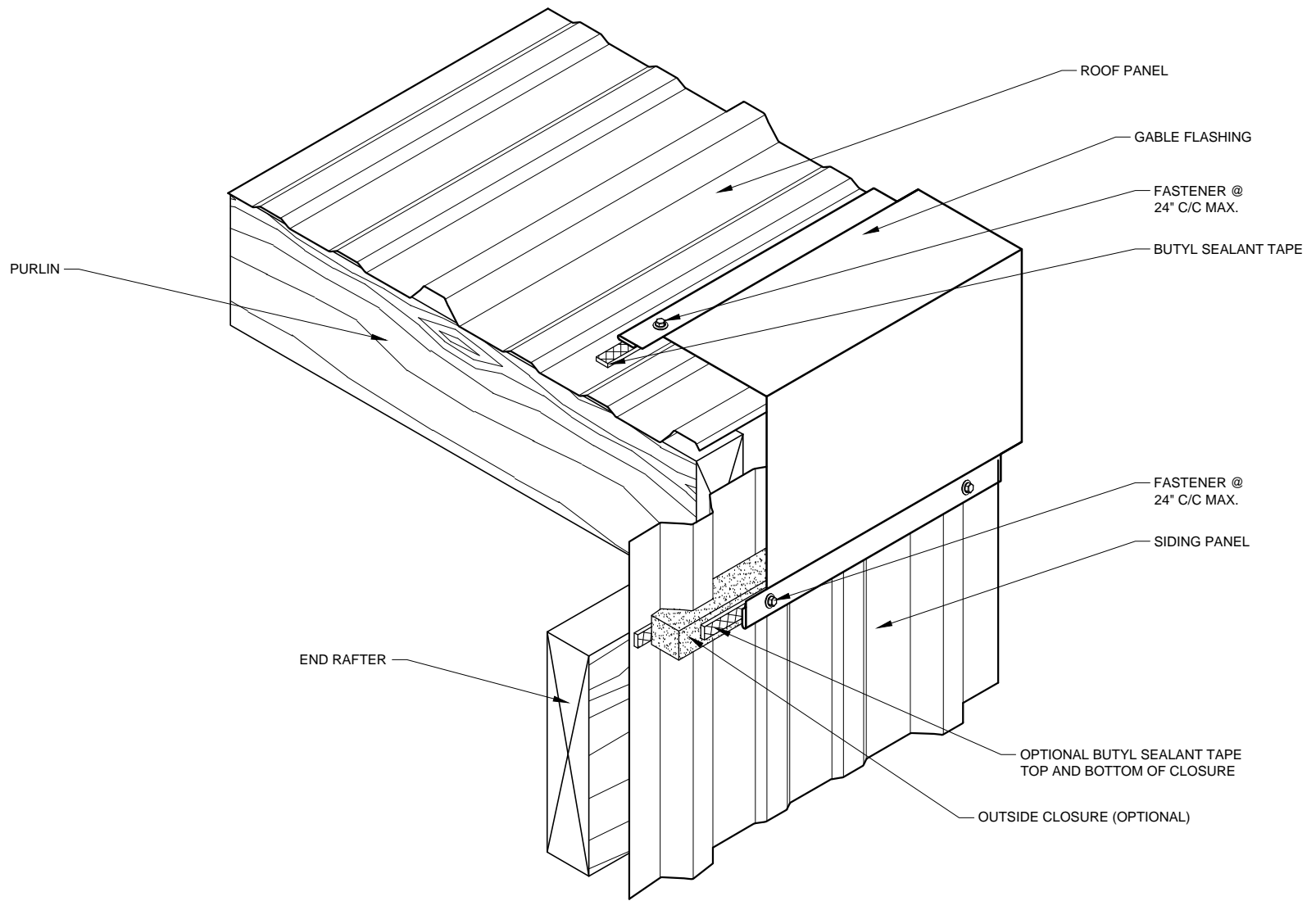
(MIGHTI RIB ONLY)



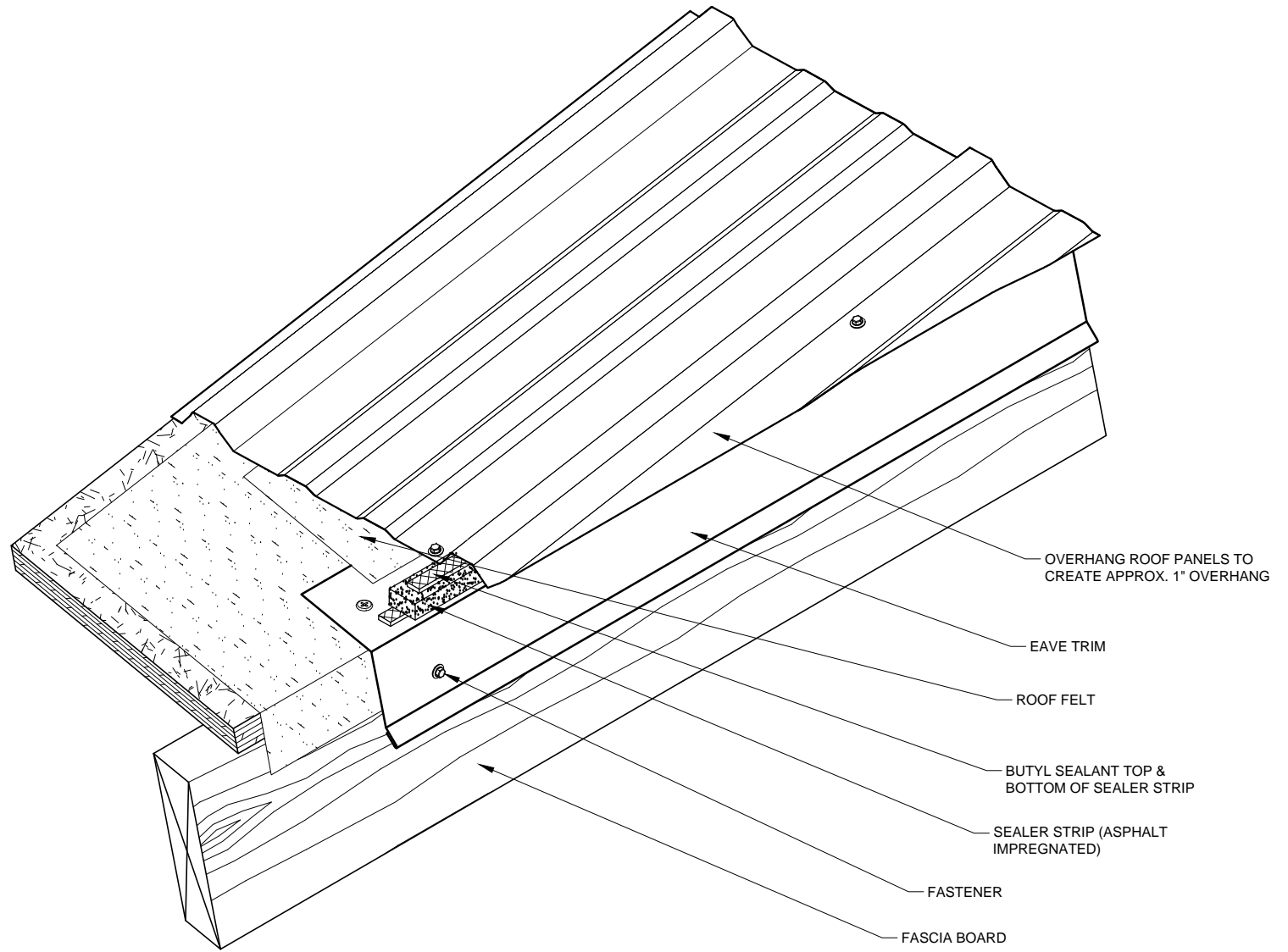
VENTED RIDGE DETAIL
(MIGHTI RIB ONLY)



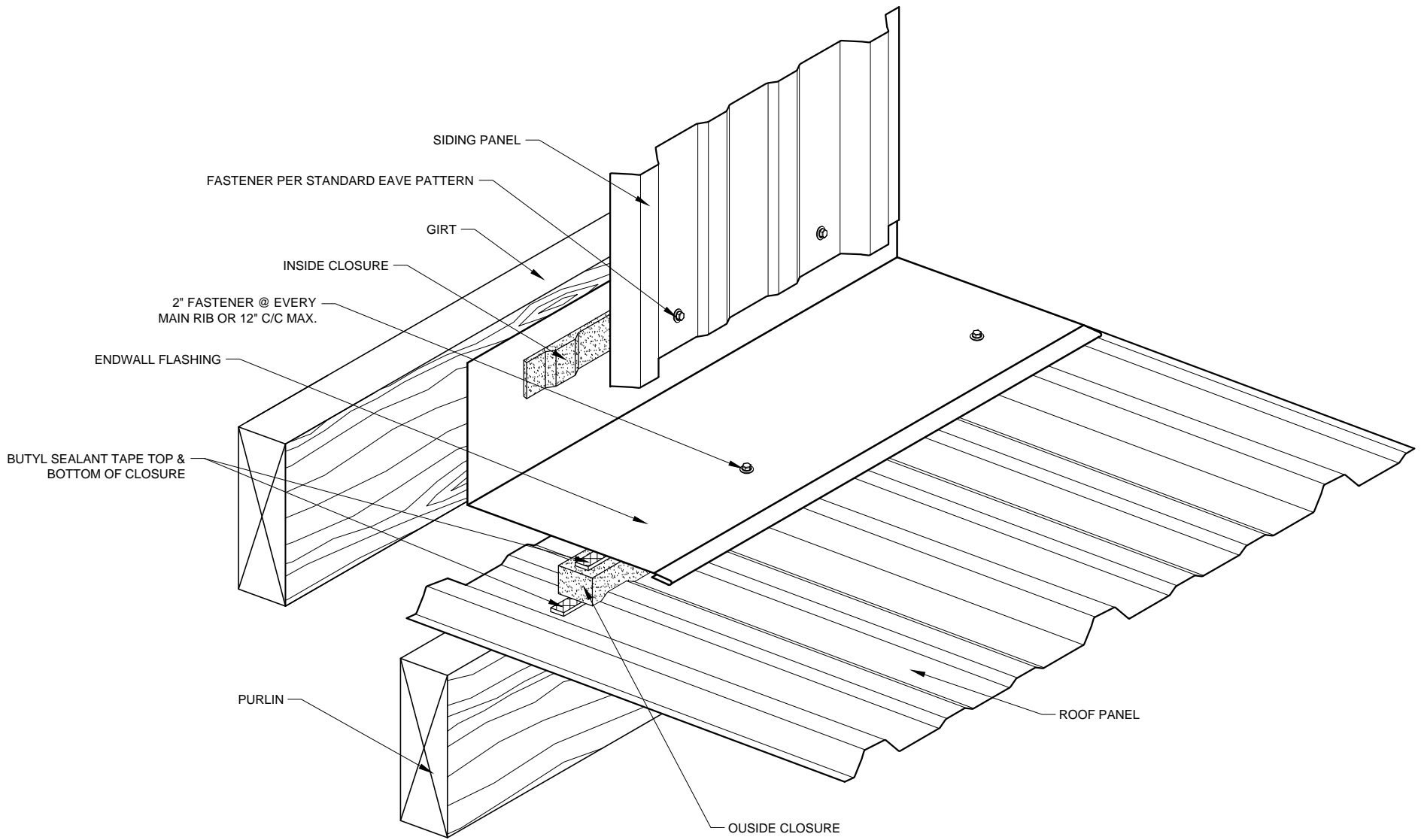
ALT. VENTED RIDGE DETAIL



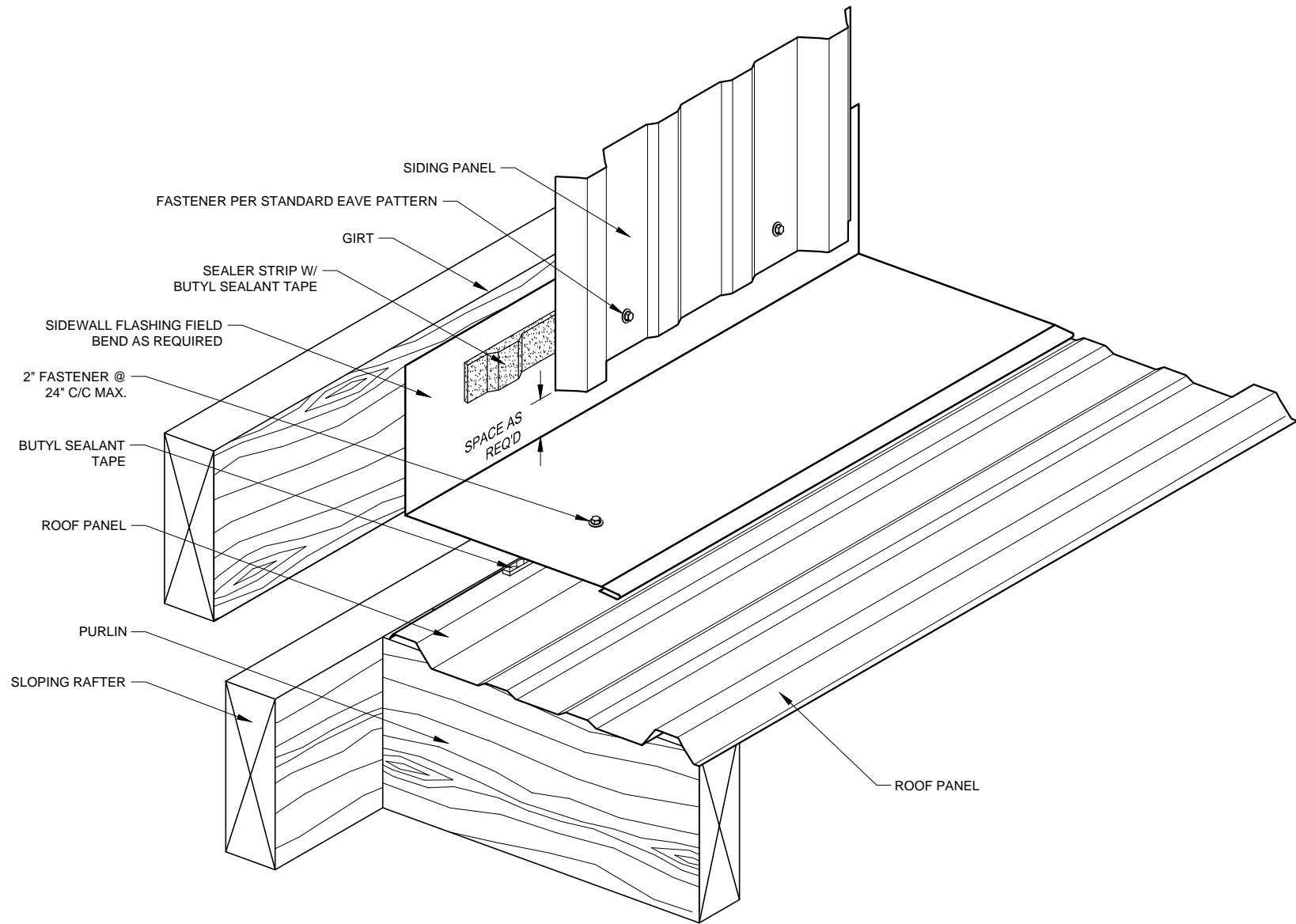
GABLE DETAIL



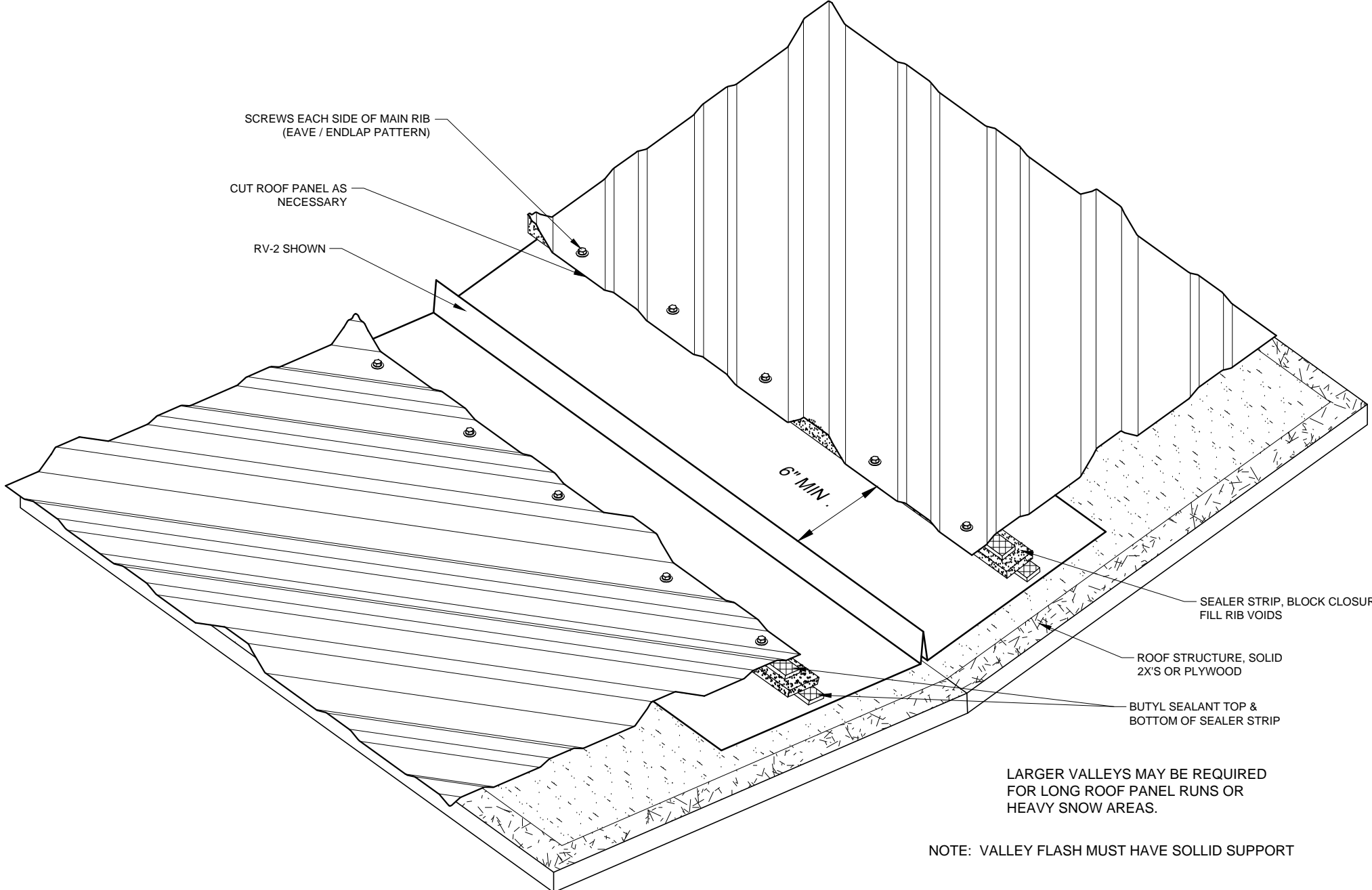
FLYING GABLE DETAIL



ENDWALL DETAIL



SIDEWALL DETAIL



SCREWS EACH SIDE OF MAIN RIB
(EAVE / ENDLAP PATTERN)

CUT ROOF PANEL AS
NECESSARY

RV-2 SHOWN

6" MIN.

SEALER STRIP, BLOCK CLOSURE,
FILL RIB VOIDS

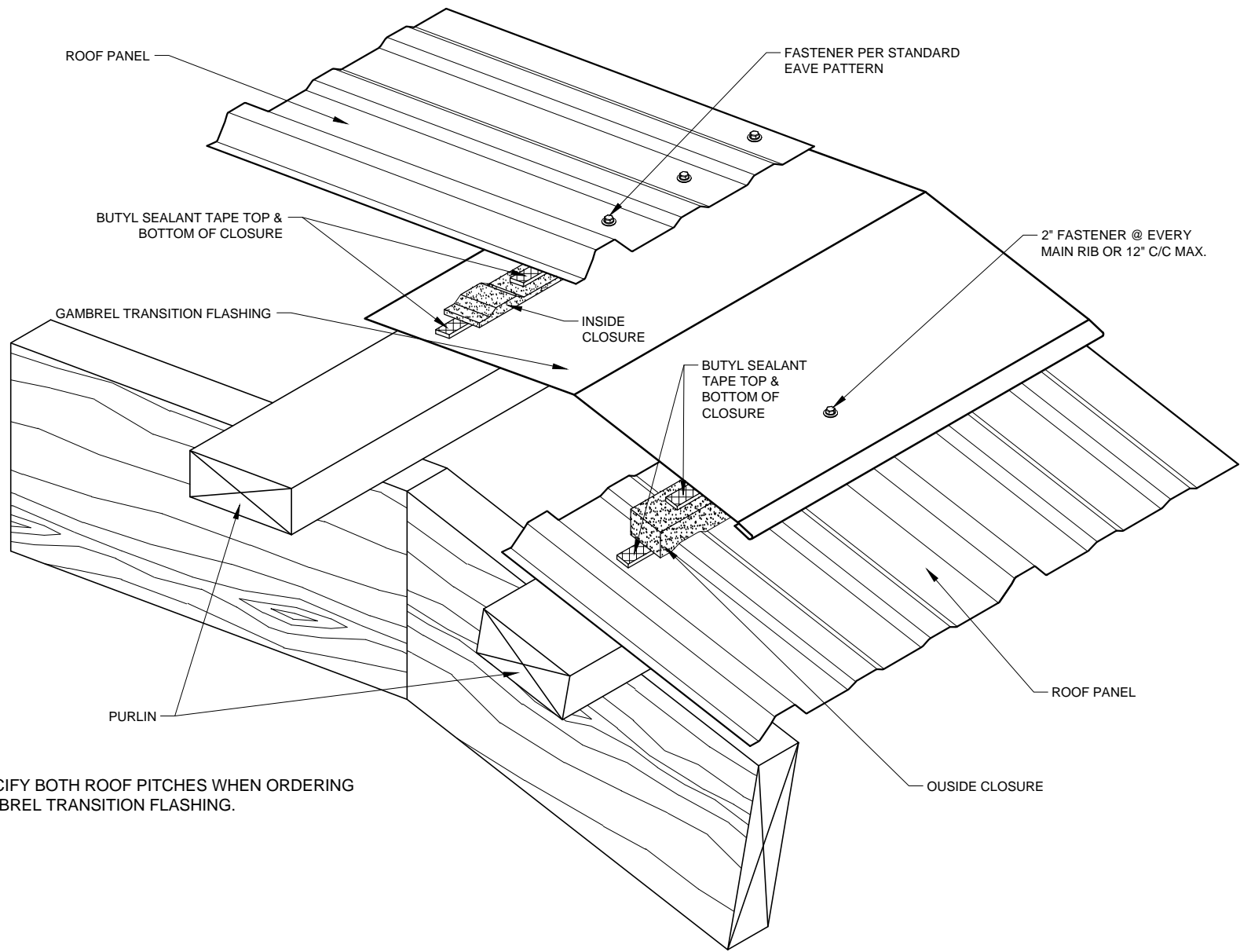
ROOF STRUCTURE, SOLID
2X'S OR PLYWOOD

BUTYL SEALANT TOP &
BOTTOM OF SEALER STRIP

LARGER VALLEYS MAY BE REQUIRED
FOR LONG ROOF PANEL RUNS OR
HEAVY SNOW AREAS.

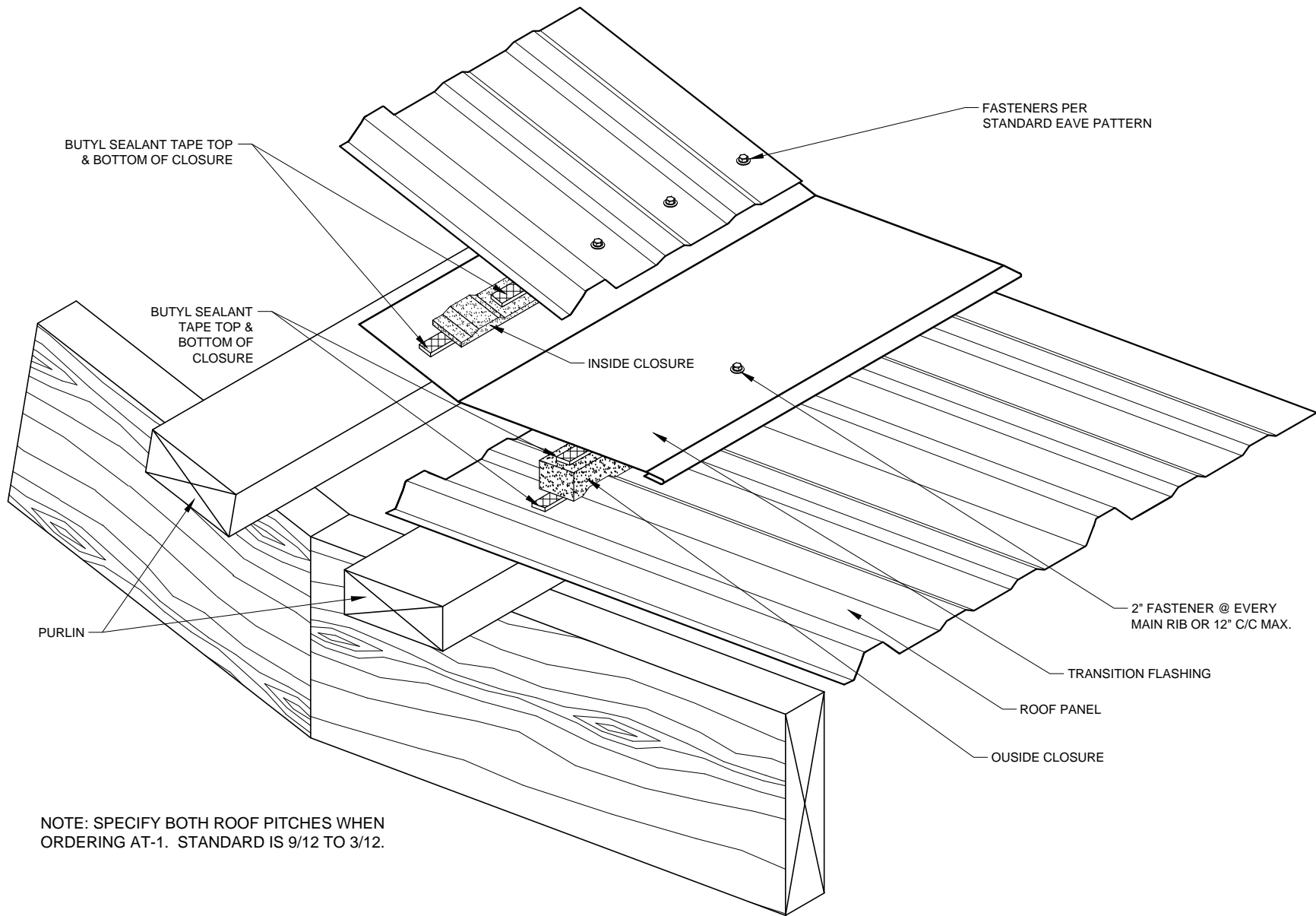
NOTE: VALLEY FLASH MUST HAVE SOLID SUPPORT

VALLEY DETAIL



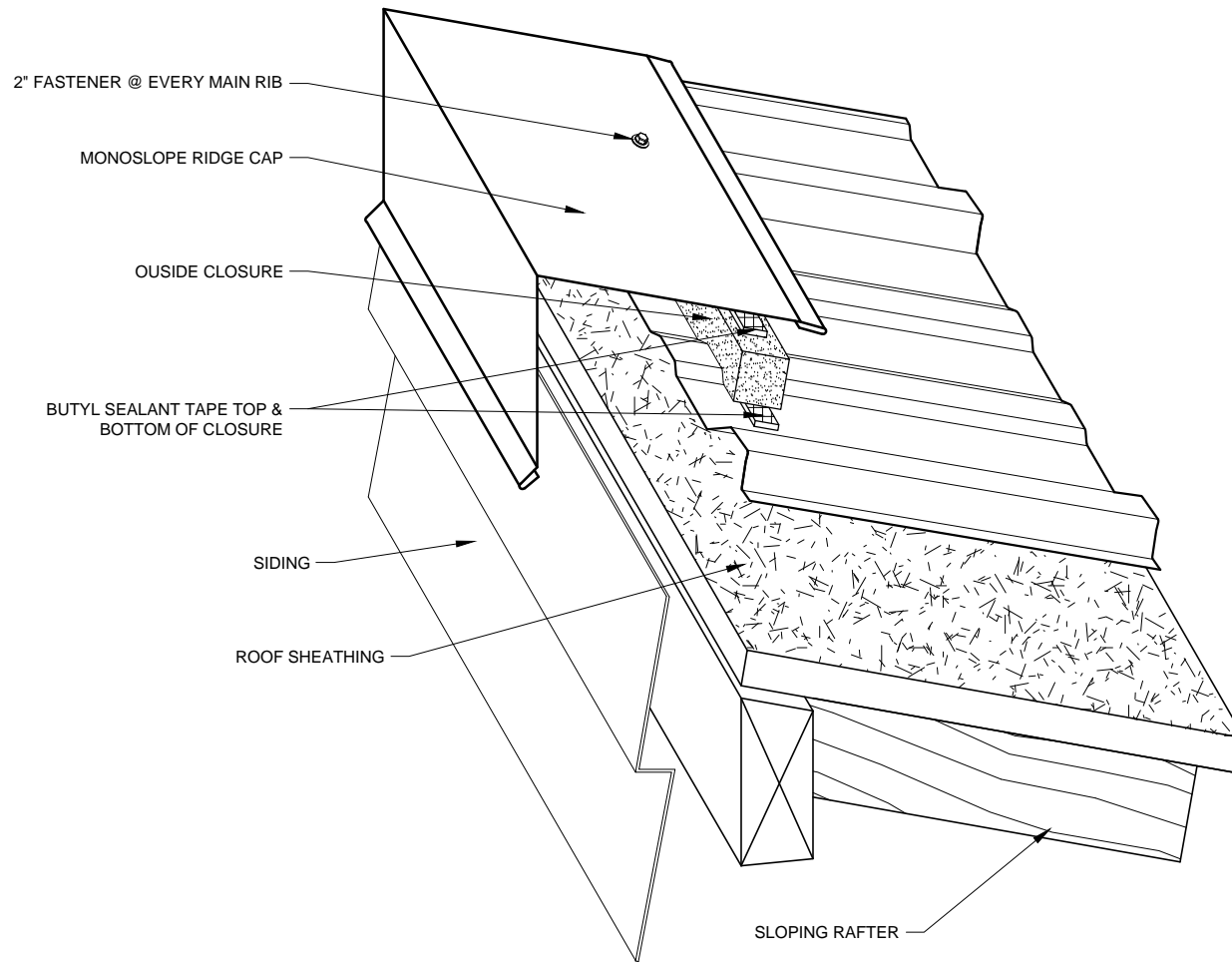
NOTE: SPECIFY BOTH ROOF PITCHES WHEN ORDERING GAMBREL TRANSITION FLASHING.

GAMBREL DETAIL

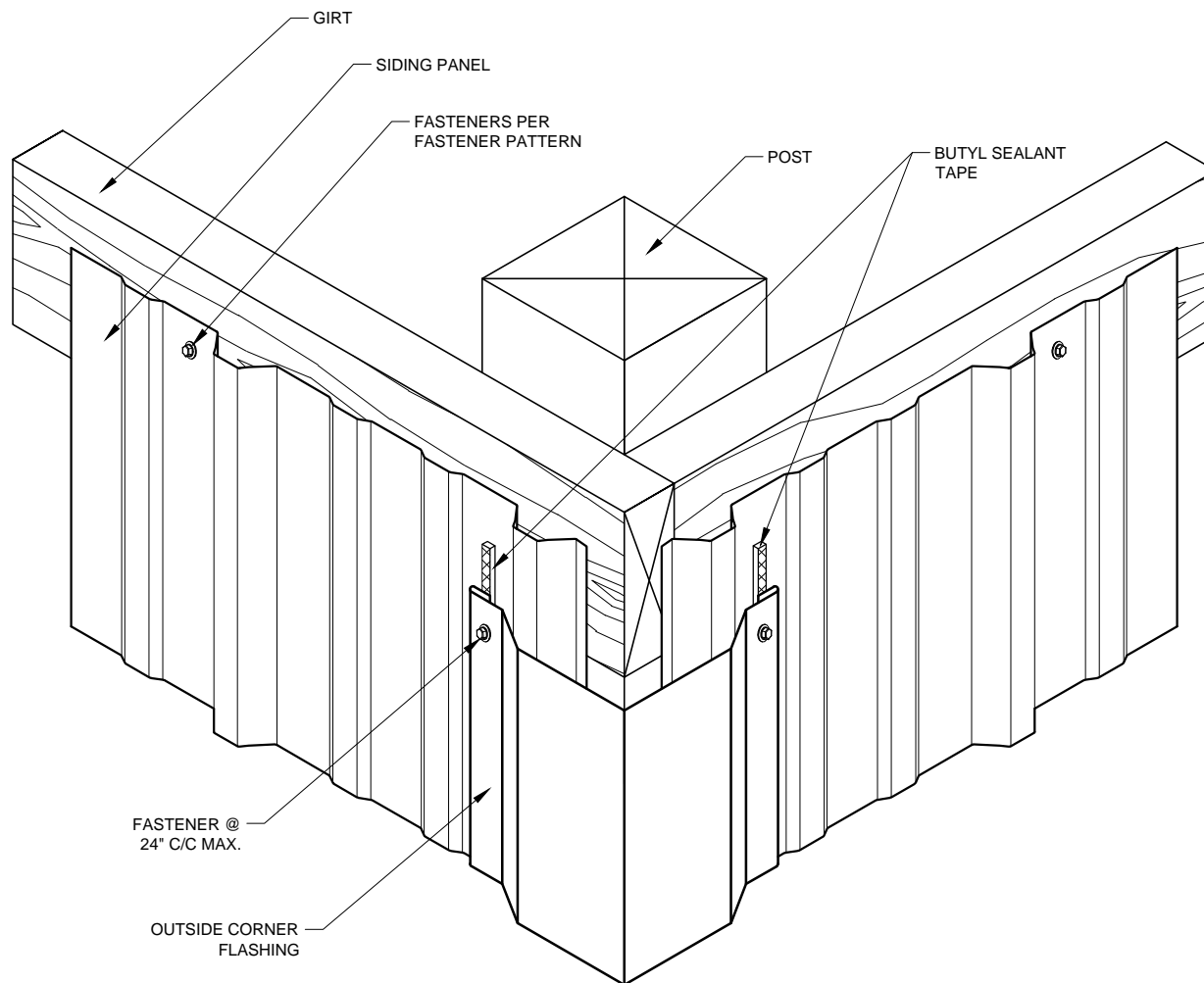


NOTE: SPECIFY BOTH ROOF PITCHES WHEN ORDERING AT-1. STANDARD IS 9/12 TO 3/12.

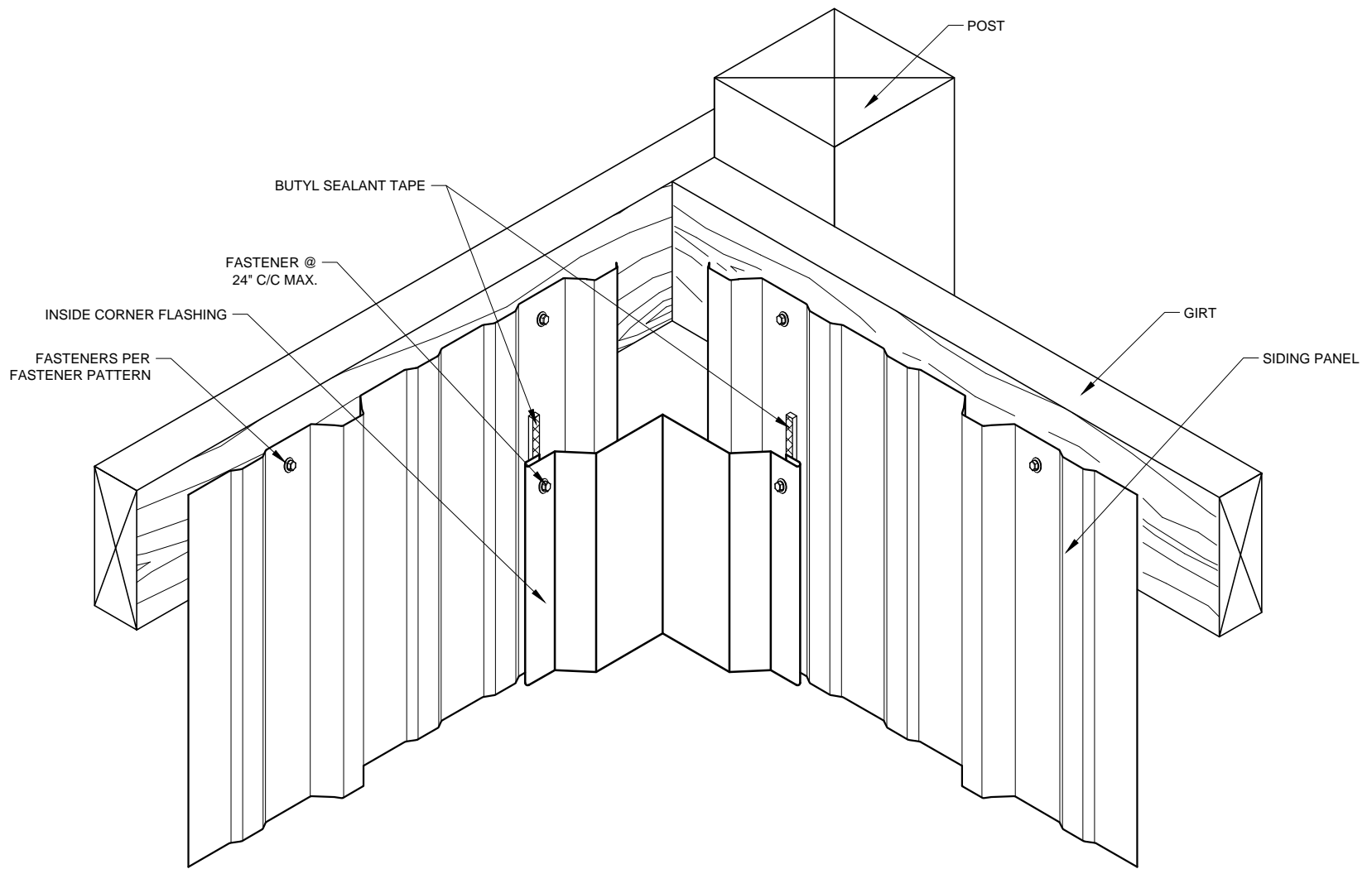
TRANSITION DETAIL



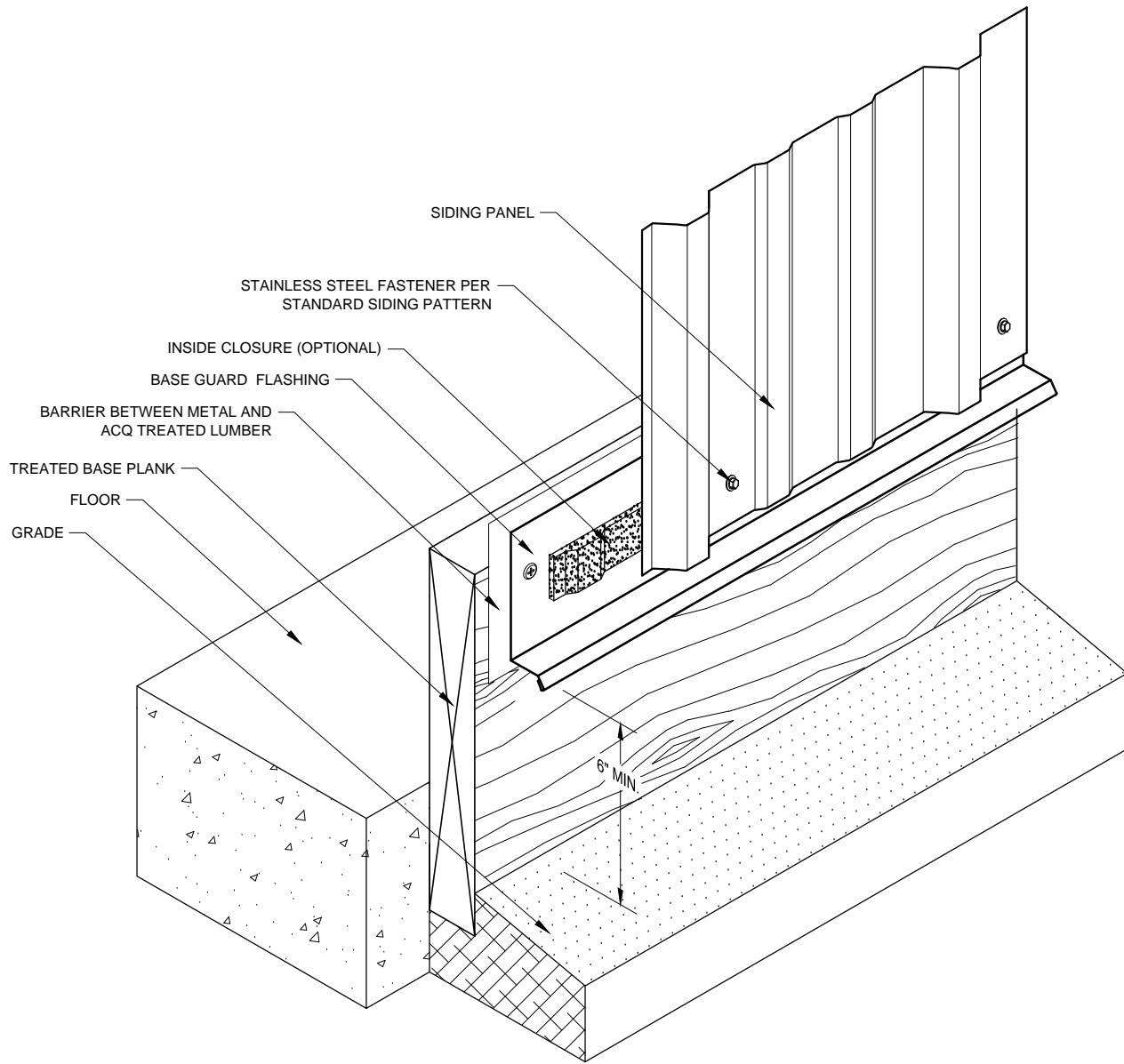
MONOSLOPE RIDGE DETAIL



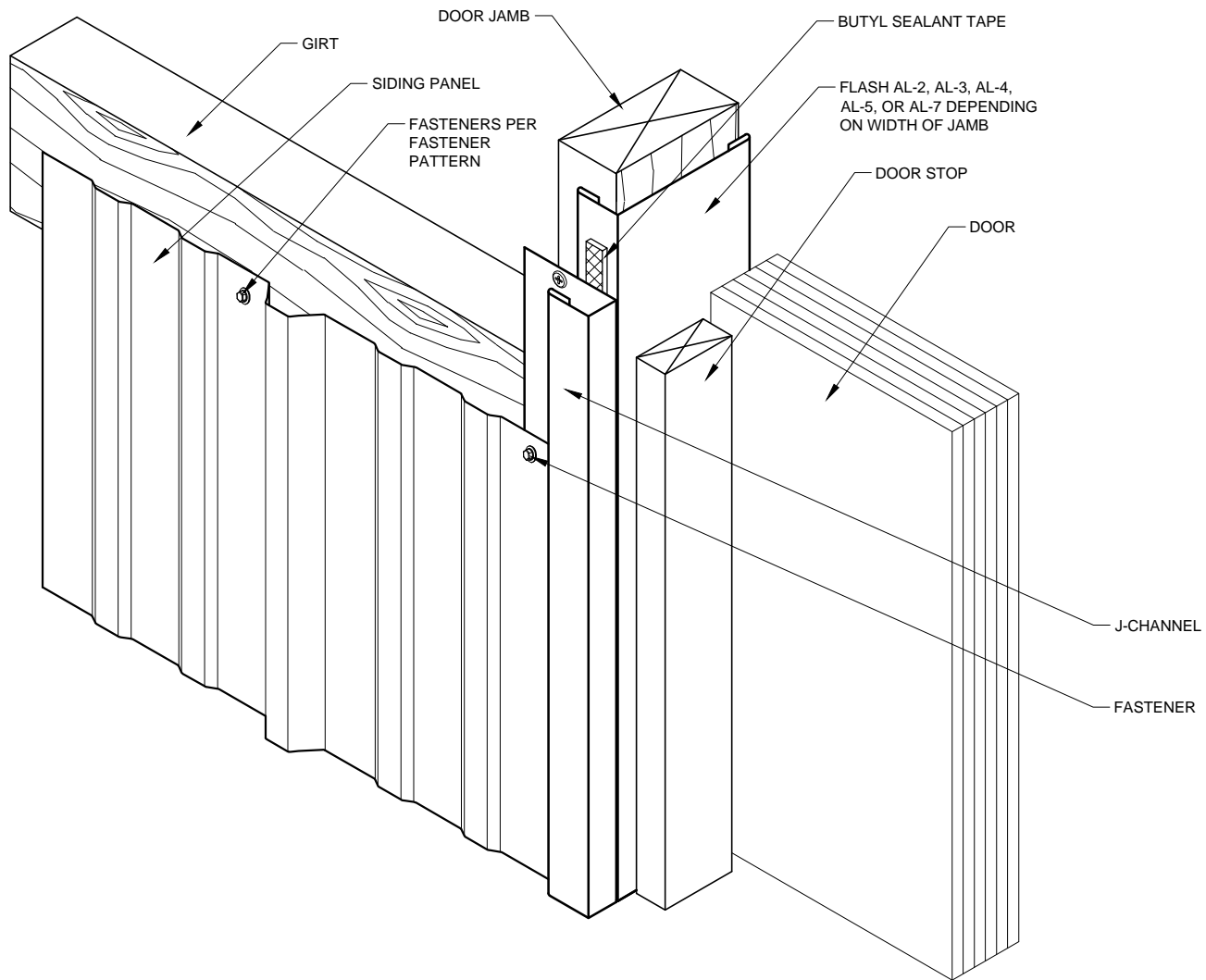
OUTSIDE CORNER DETAIL



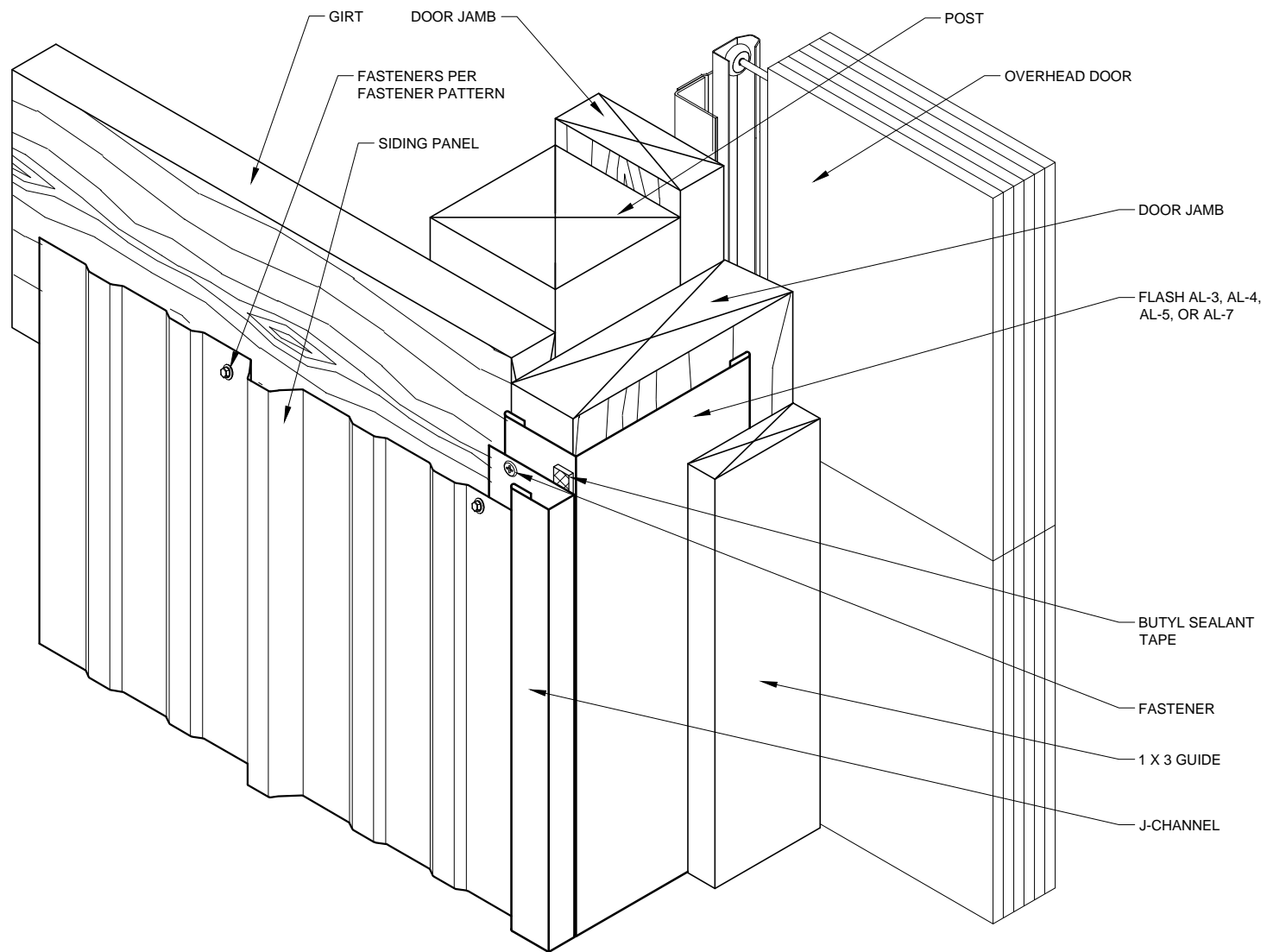
INSIDE CORNER DETAIL



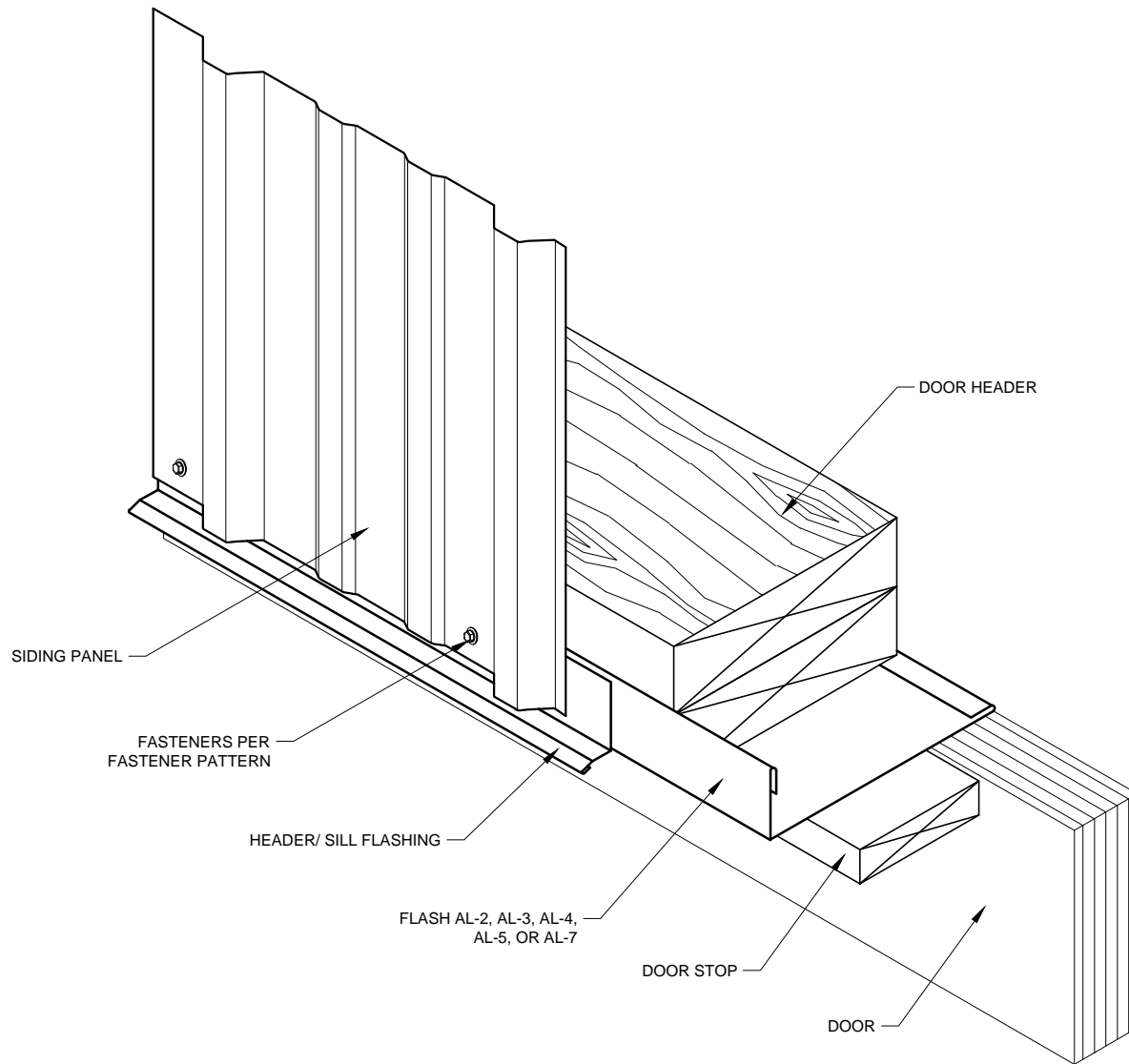
BASE GUARD DETAIL



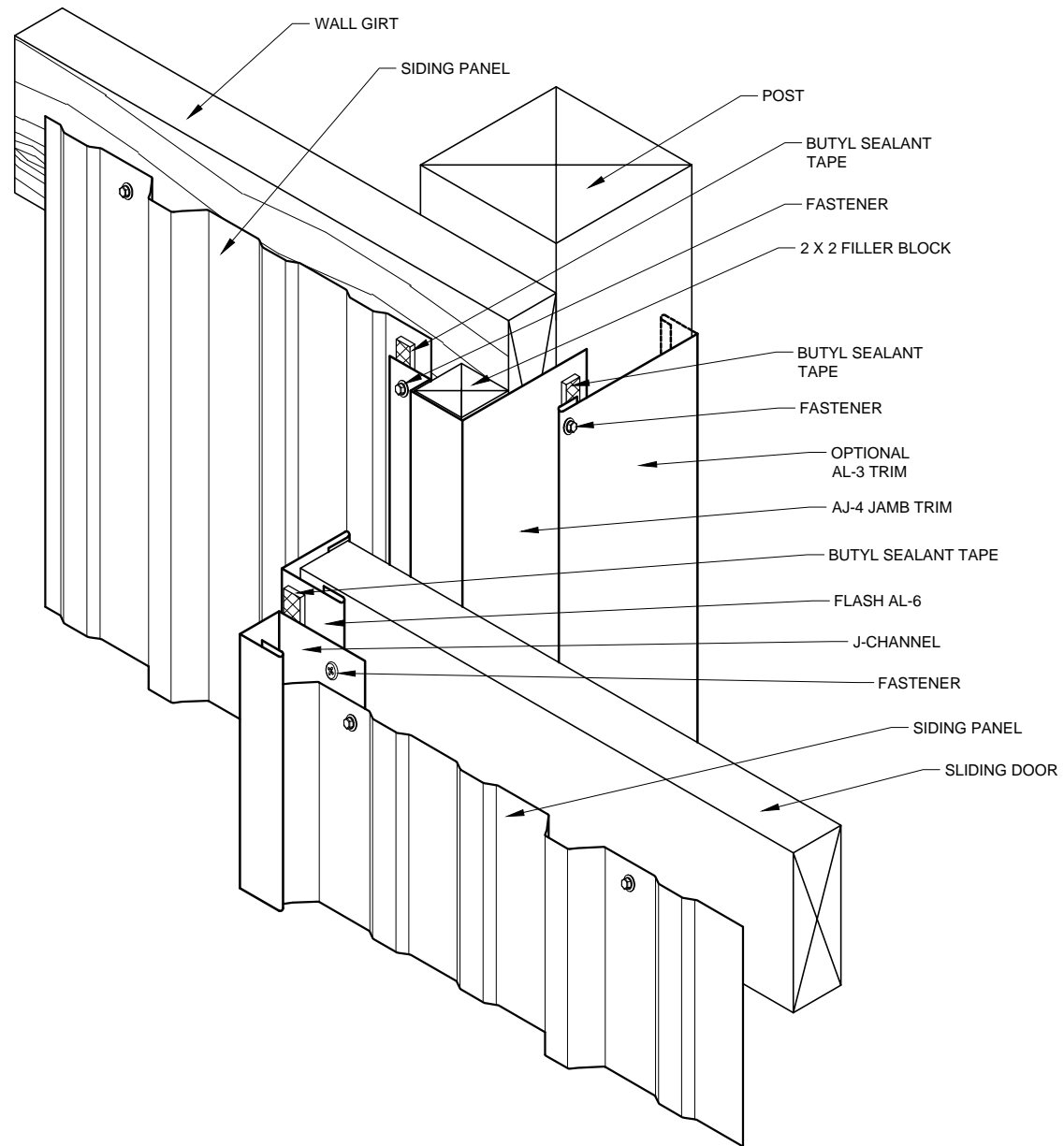
DOOR JAMBS DETAIL



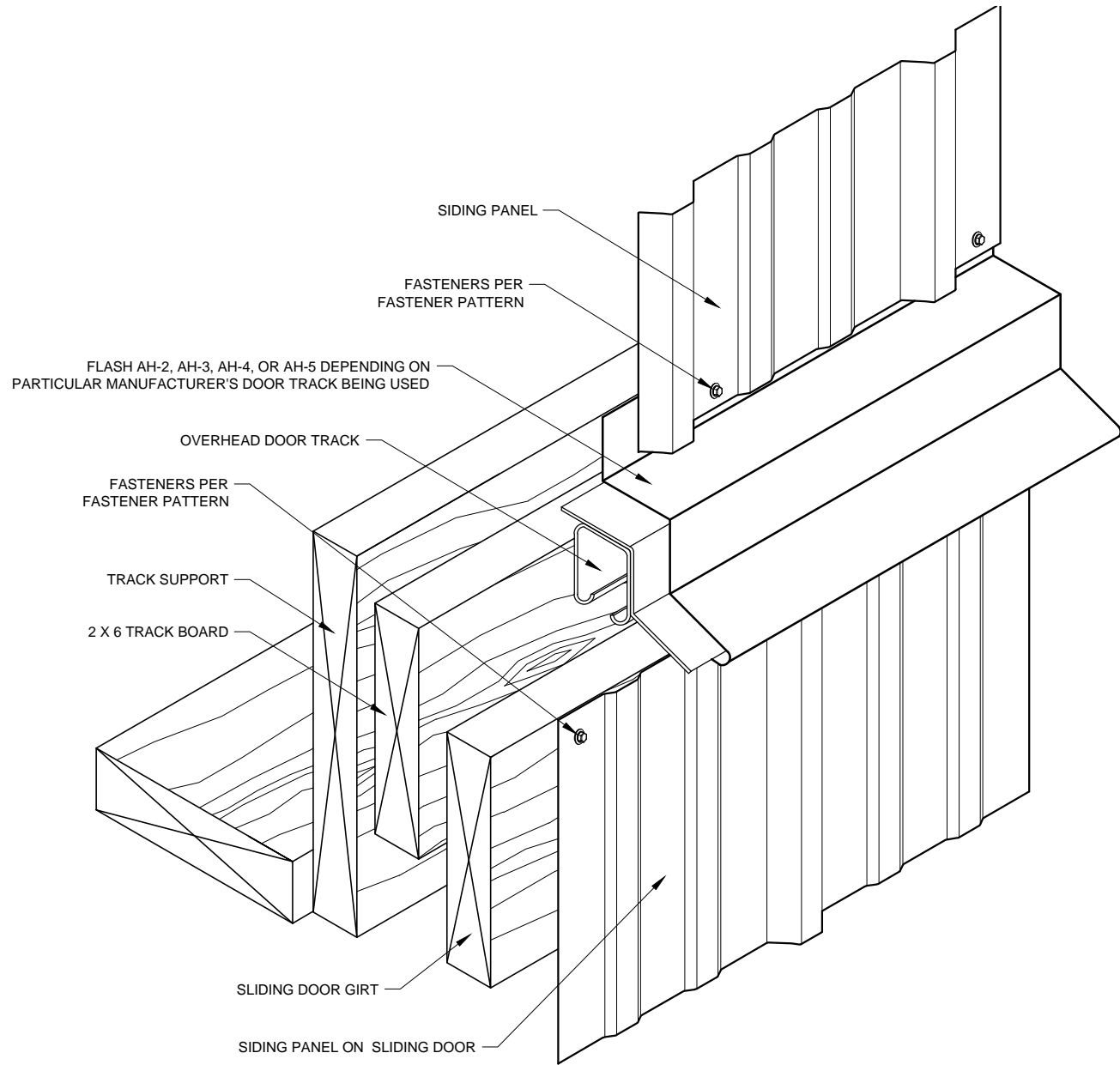
OVERHEAD DOOR JAMB DETAIL



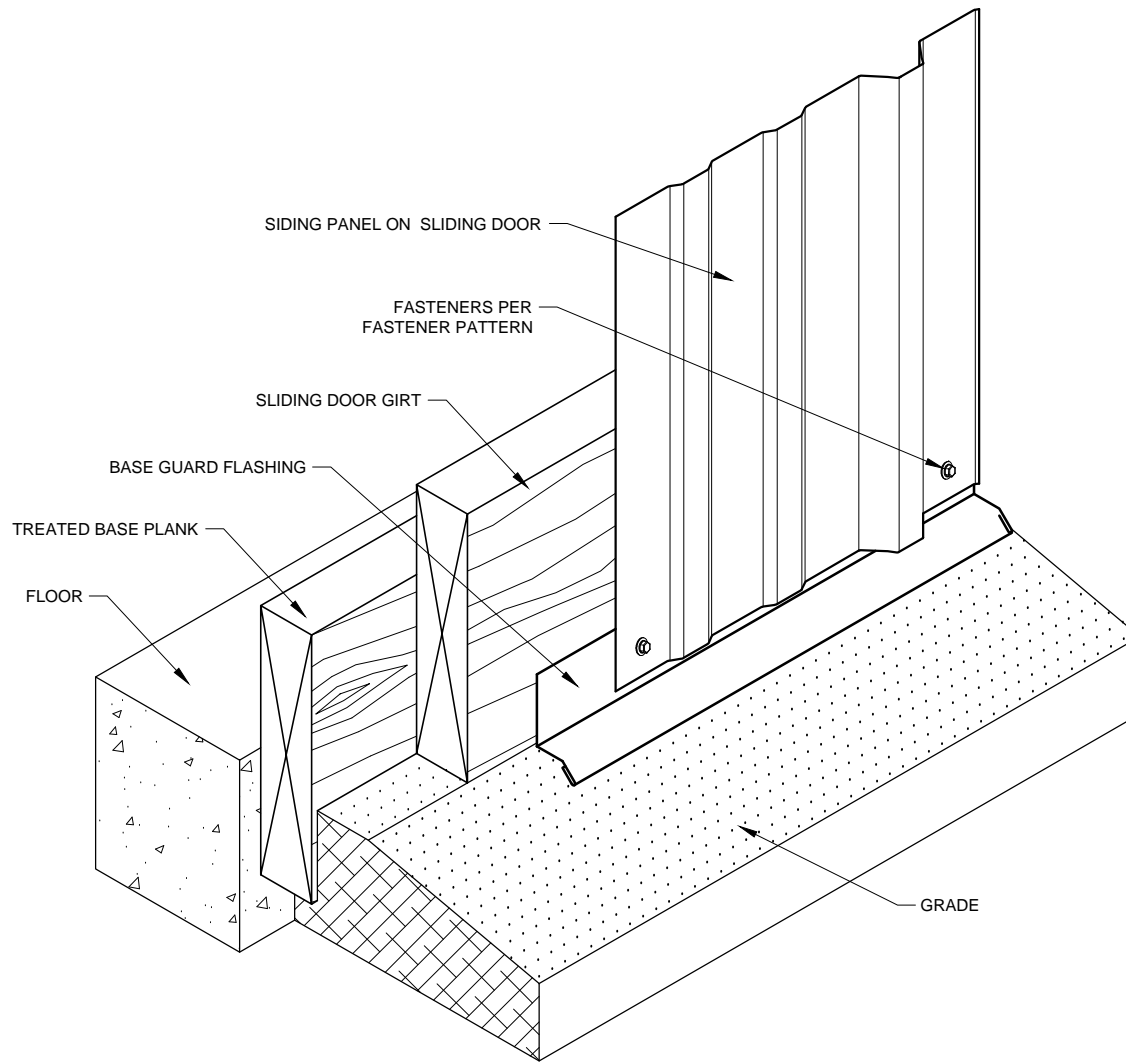
DOOR HEADER DETAIL



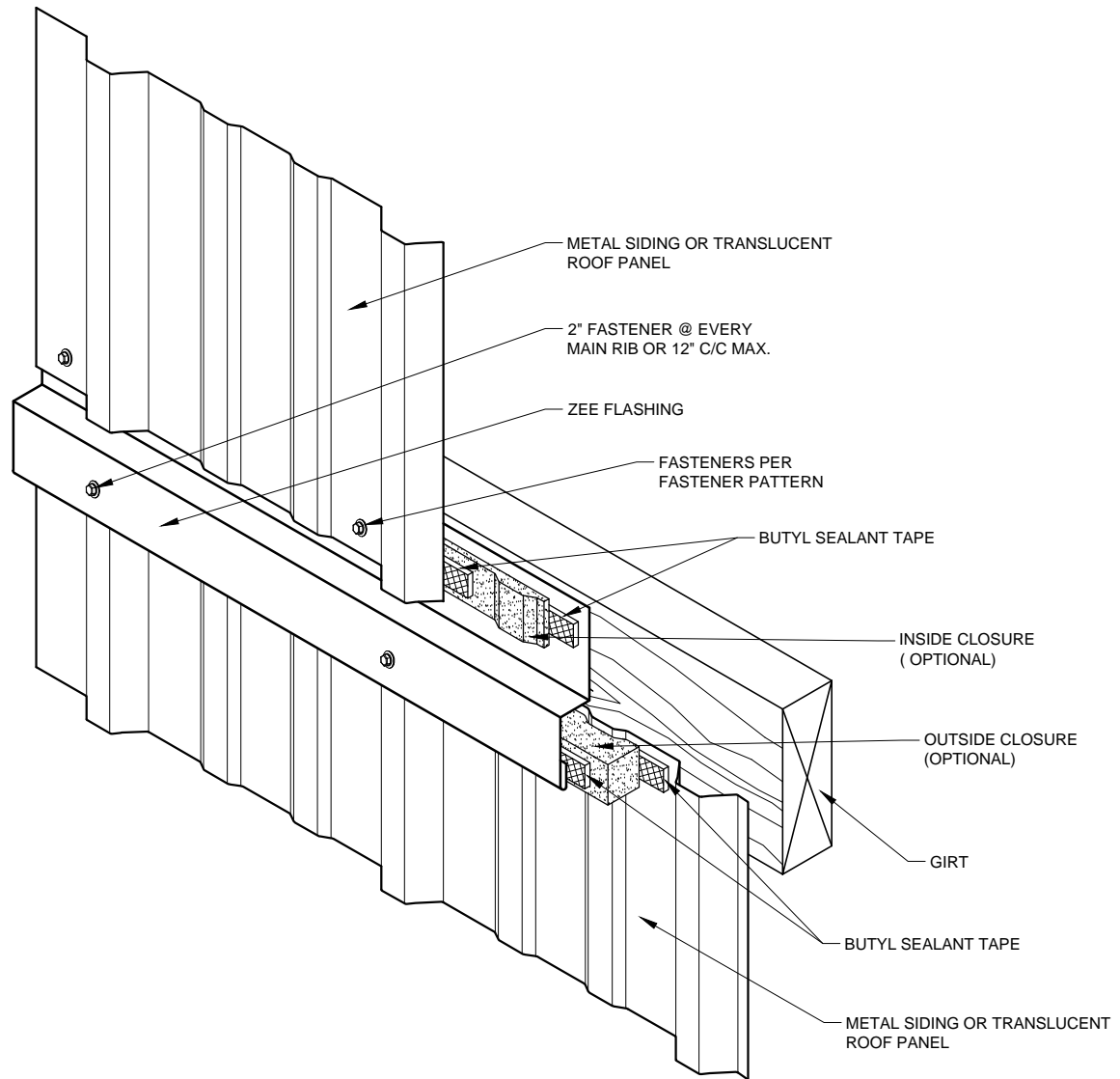
SLIDING DOOR JAMB DETAIL



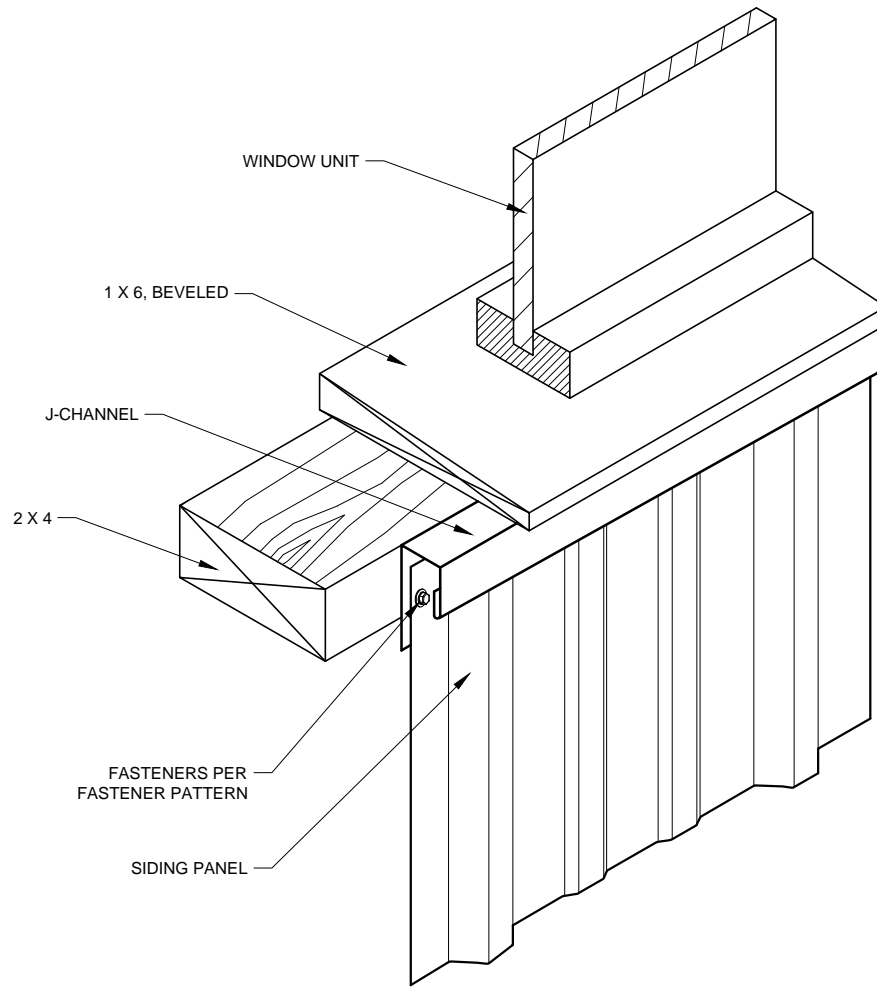
SLIDING DOOR HEADER DETAIL



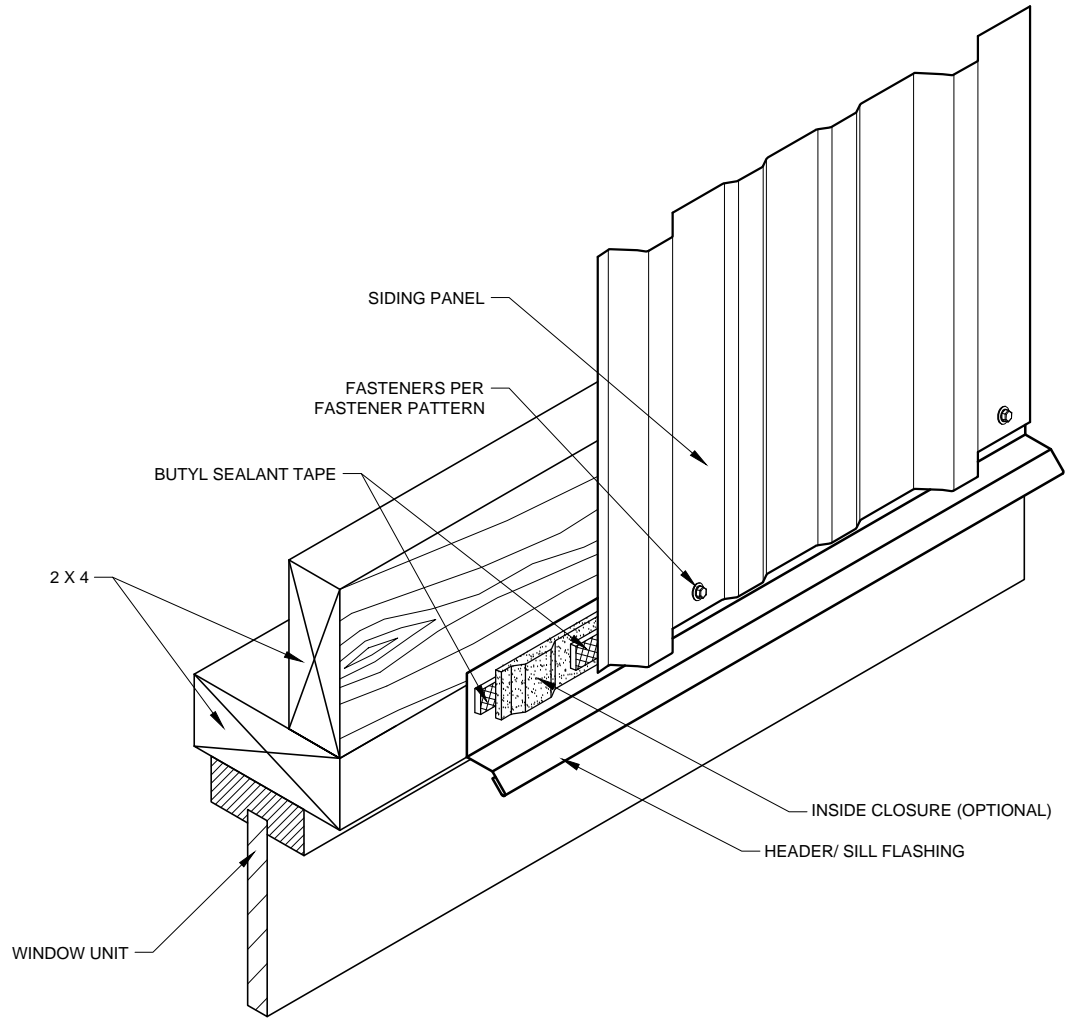
SLIDING DOOR BASE DETAIL



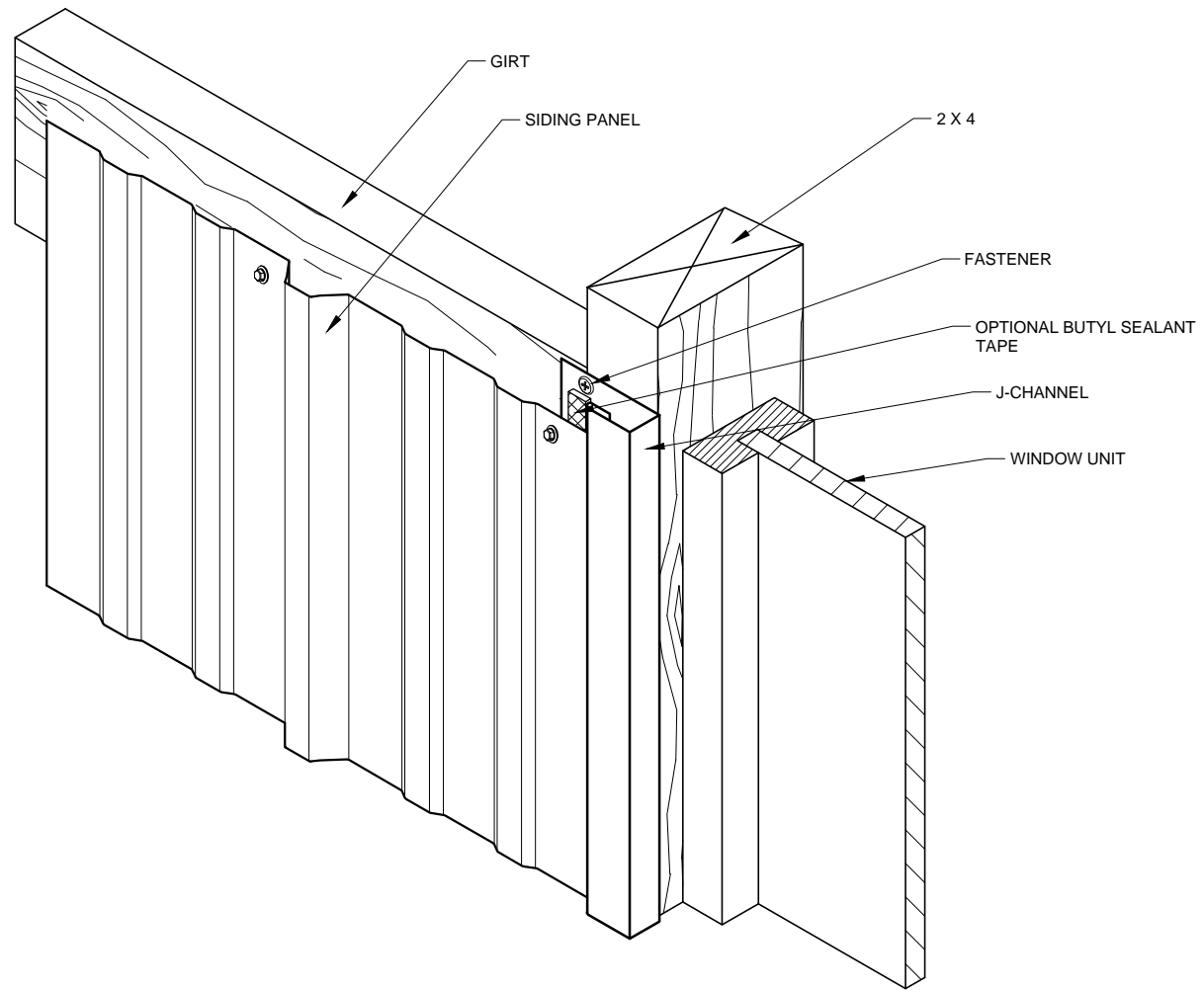
TRANSLUCENT PANEL DETAIL



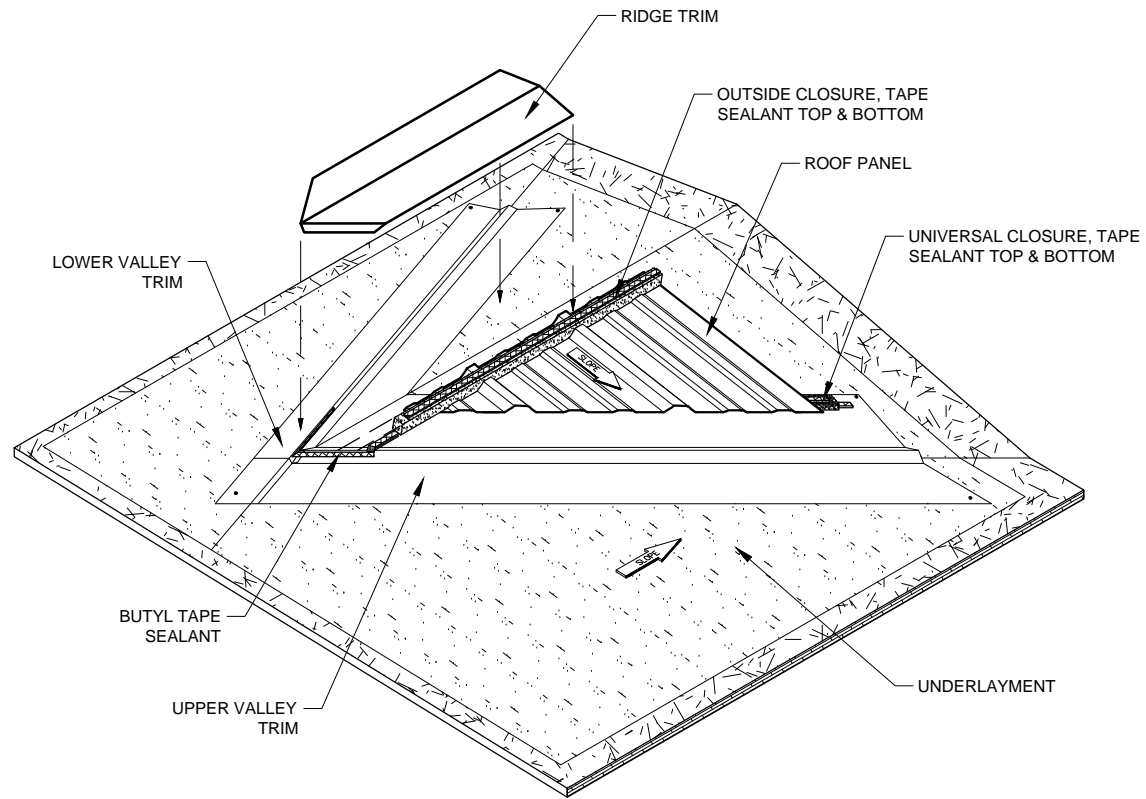
WINDOW SILL DETAIL



WINDOW HEADER DETAIL

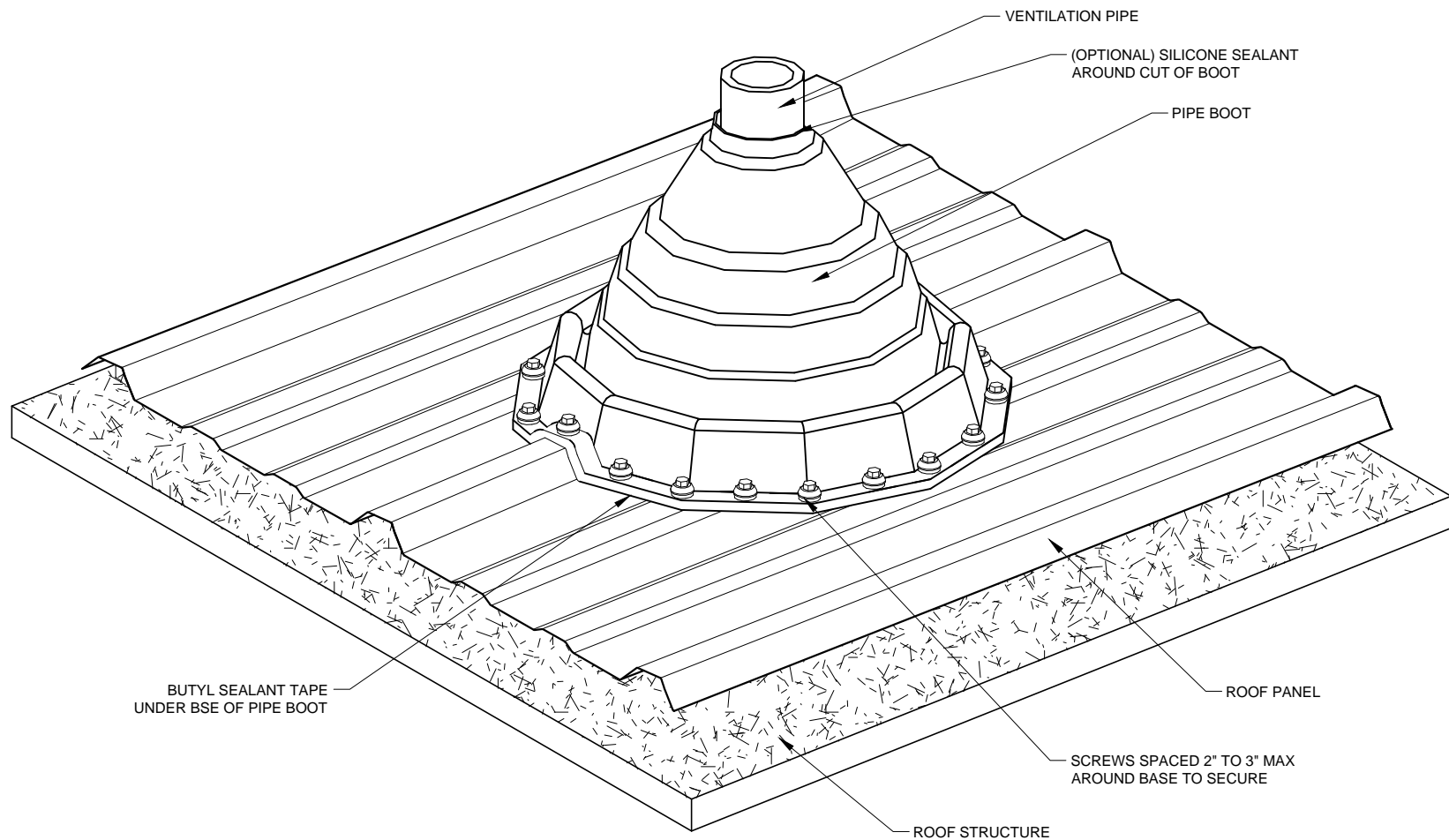


WINDOW JAMB DETAIL

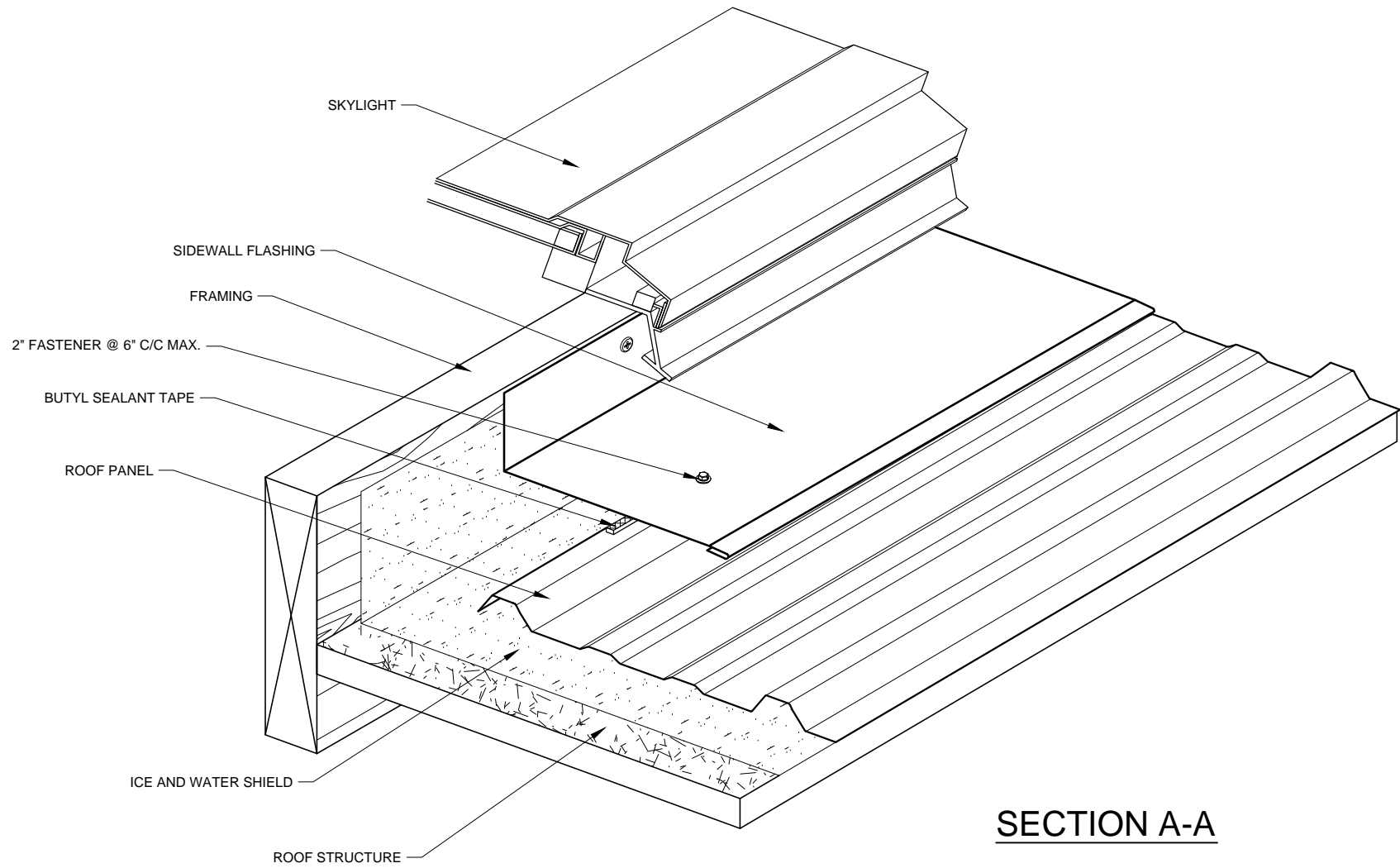


NOTE: ROOF PANEL
OMITTED ON OTHER SIDE
OF RIDGE FOR CLARITY.

DORMER VALLEYS DETAIL

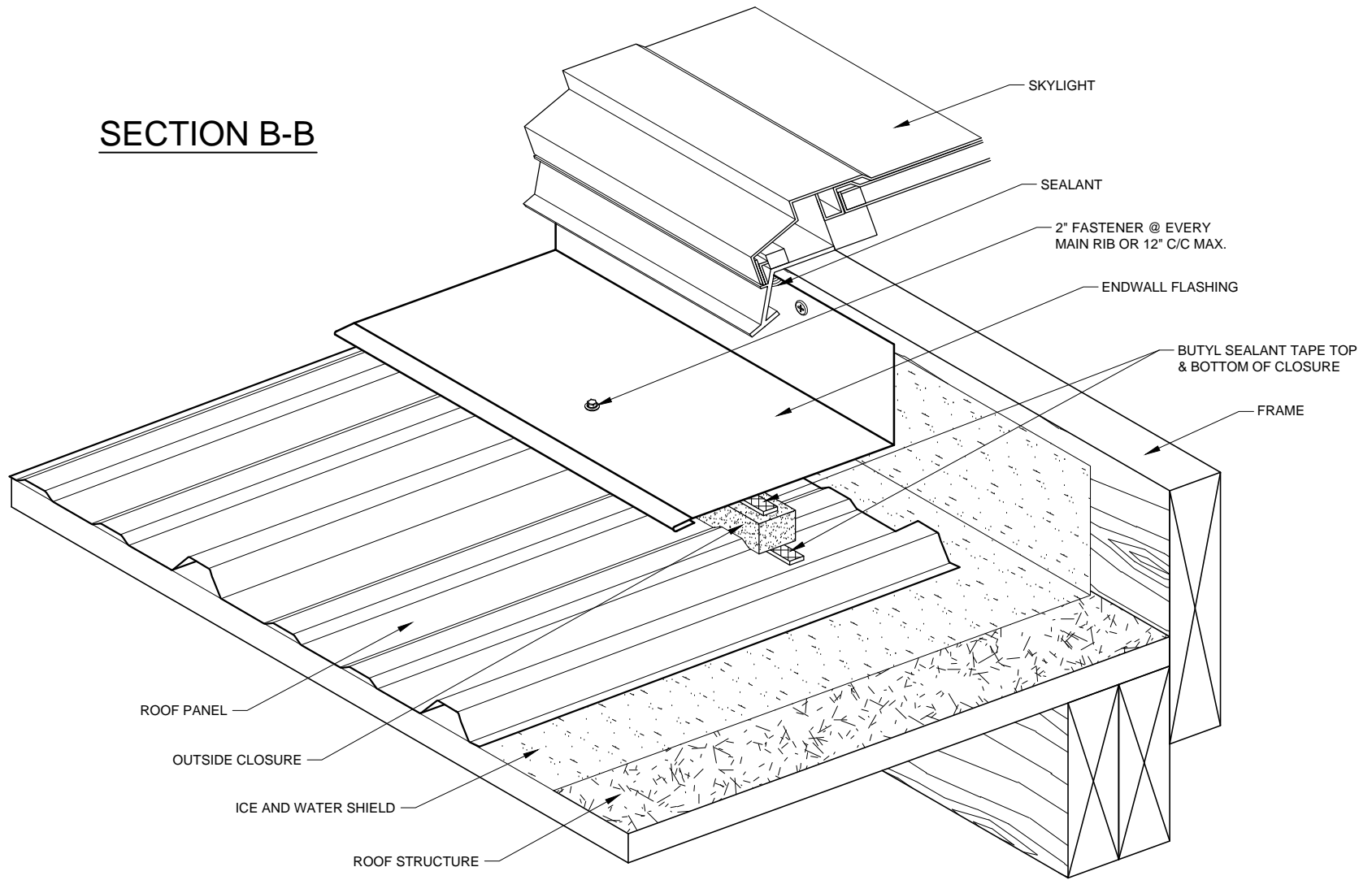


RES. PIPE BOOTS DETAIL

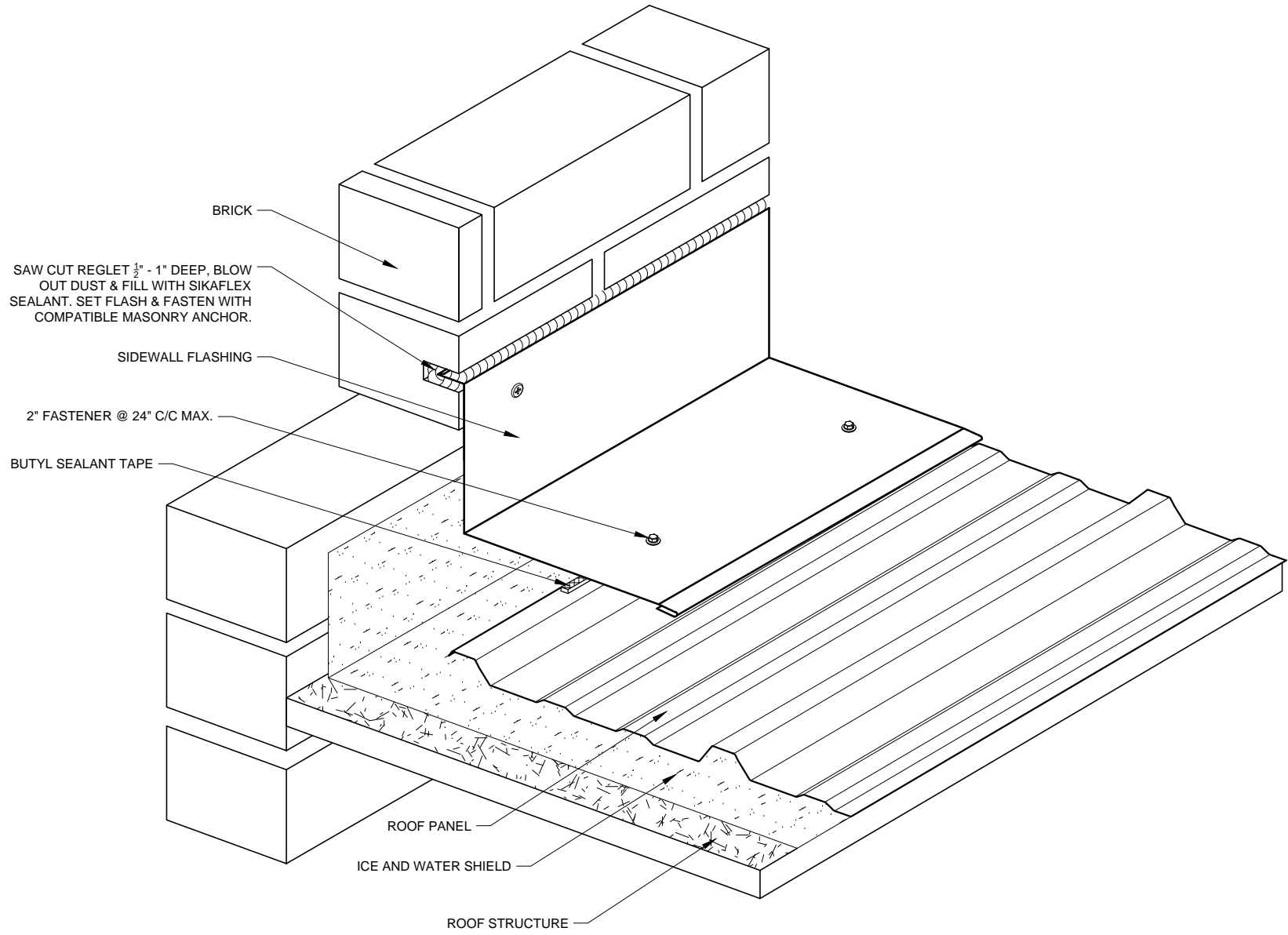


SKYLIGHT DETAIL

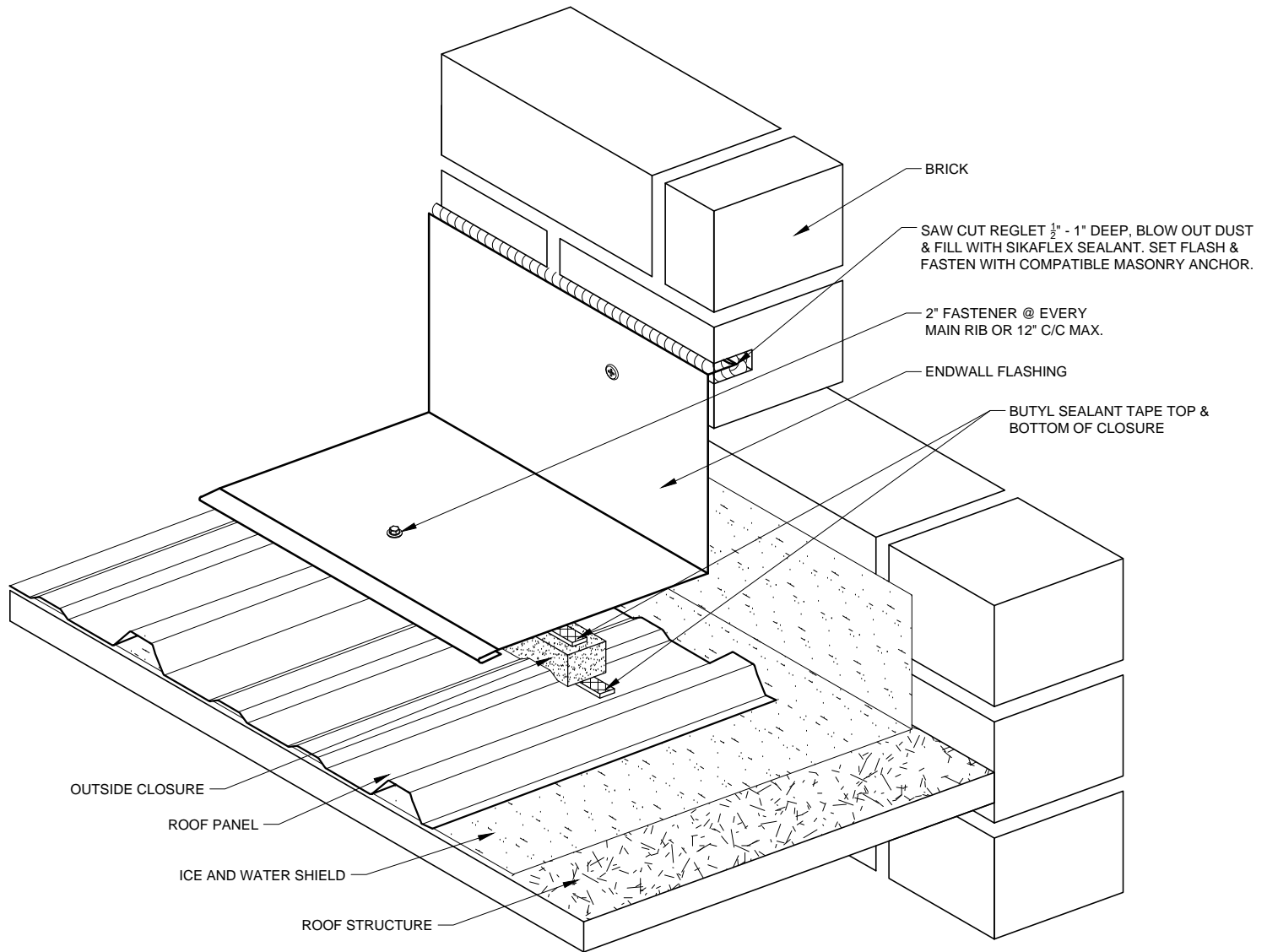
SECTION B-B



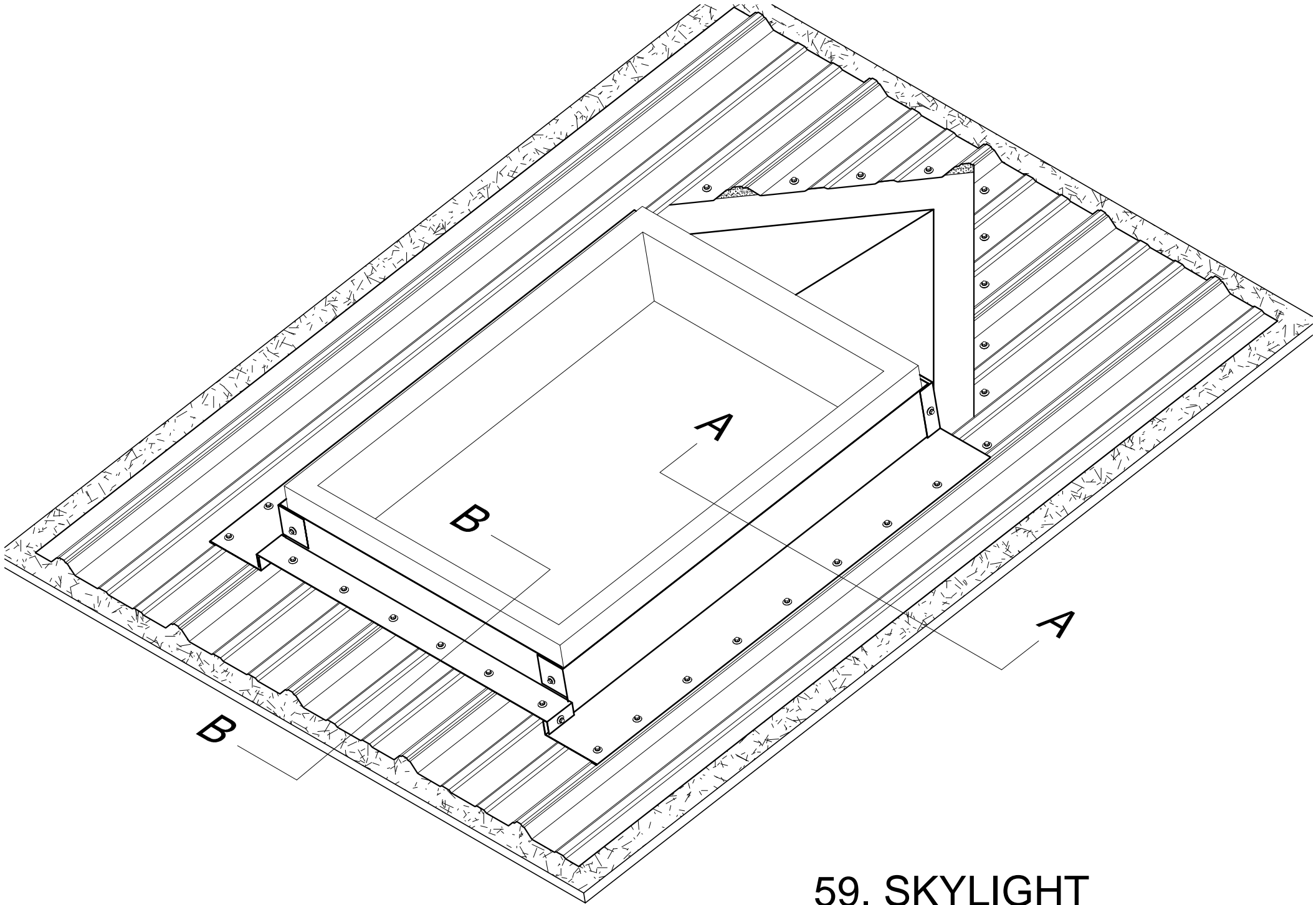
SKYLIGHT DETAIL



CHIMNEY SIDEWALL DETAIL



CHIMNEY ENDWALL DETAIL



59. SKYLIGHT