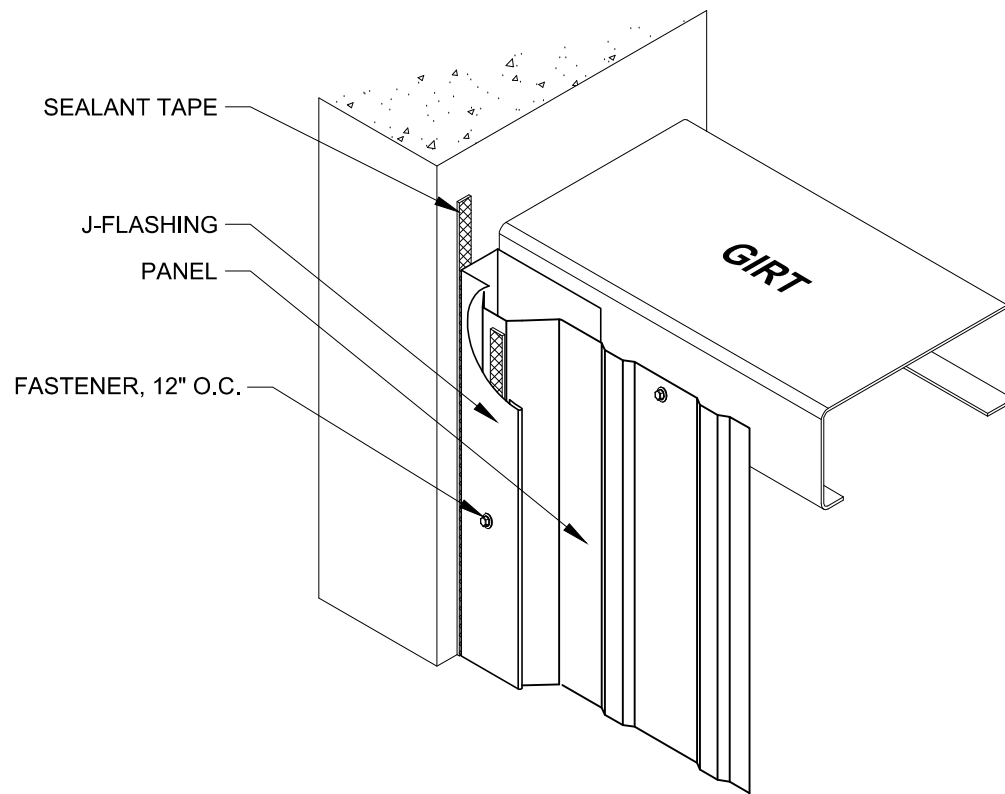
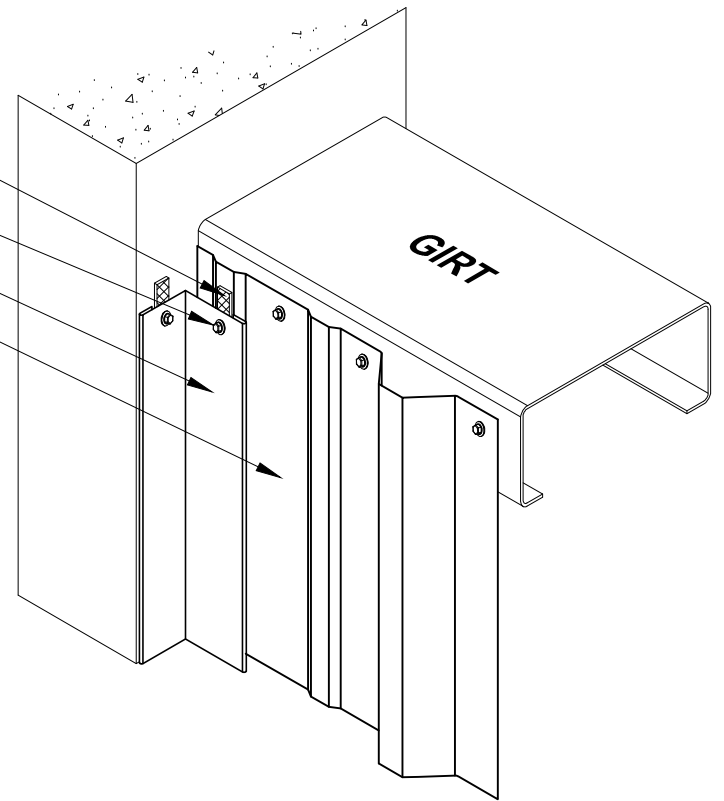


SIDEWALL (HIGH)



- SEALANT TAPE
- FASTENER, 12" O.C.
- FLASHING
- PANEL



SIDEWALL (LOW)

Project: _____

Contractor: _____

THIS DRAWING IS THE PROPERTY OF FABRAL, INC. THE USE OF THIS DRAWING WITHOUT THE EXPRESS PERMISSION OF FABRAL IS PROHIBITED.

FABRAL, INC.
 3449 Hempland Road
 Lancaster, PA 17601
 800-477-2741

SIDEWALL LOW / HIGH

INDUSTRIAL PANEL

Issued:
 APRIL 2012