

CLIP W/ (2) ¼"-14 x 1 ½" SD FASTENERS

RIDGE CAP

SD-HWH 7/8" STITCH FASTENER (4 PER PANEL)

DBL BEAD TAPE SEALANT

METAL OUTSIDE CLOSURE

#12-14 x 1" SD FASTENER (6 PER PANEL)

DBL BEAD TAPE SEALANT

BACK-UP PLATE

**FABRAL**

Project:

Contractor:

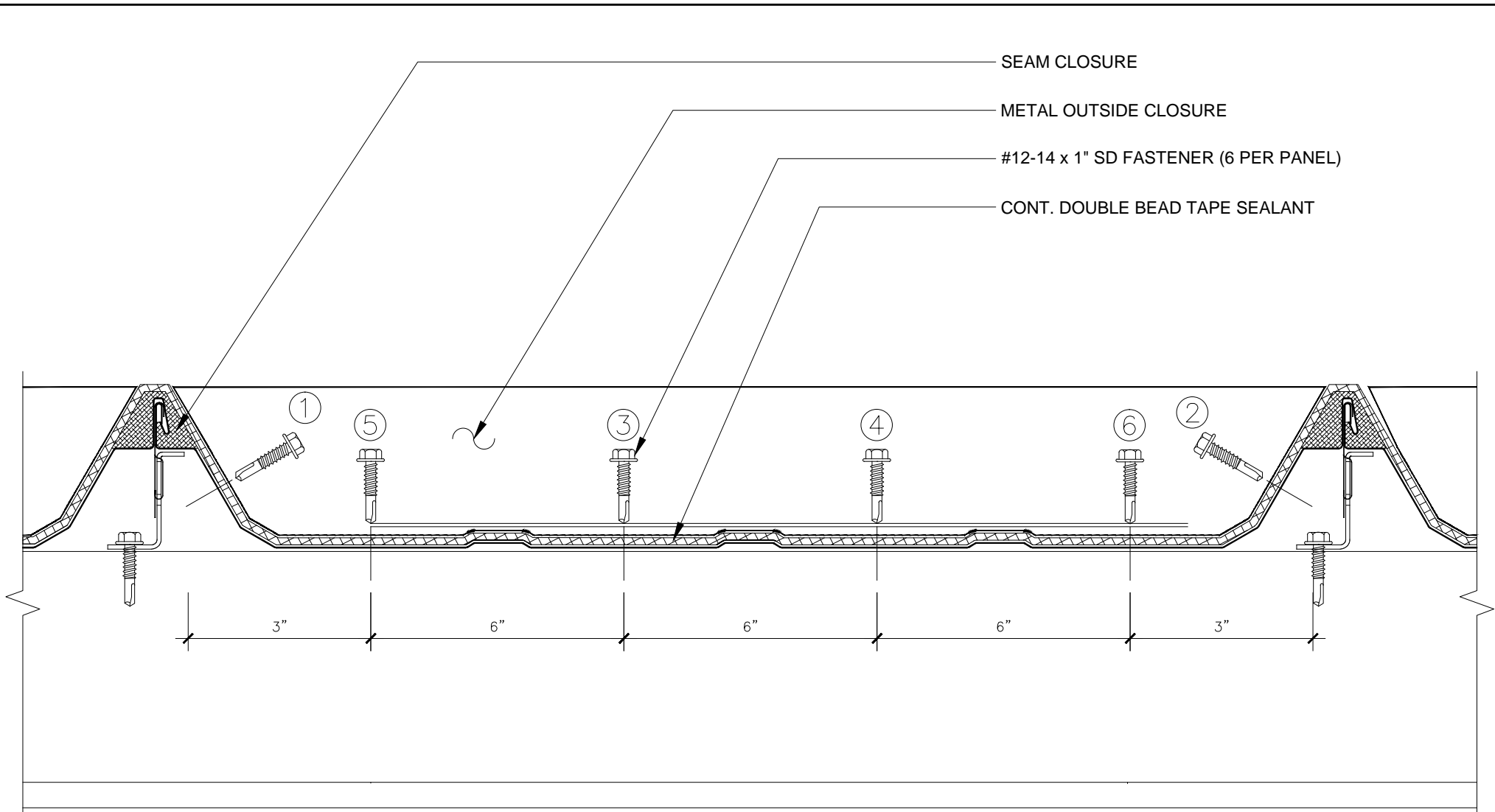
THIS DRAWING IS THE PROPERTY OF FABRAL, INC. THE USE OF THIS DRAWING WITHOUT THE EXPRESS PERMISSION OF FABRAL IS PROHIBITED.

**FABRAL, INC.**  
 3449 Hempland Road  
 Lancaster, PA 17601  
 800-477-2741

**HIP/RIDGE DETAIL (HR-1)**

**IP SEAM / SNAP 3**

Issued:  
 APRIL 2012



**FABRAL**

Project:

Contractor:

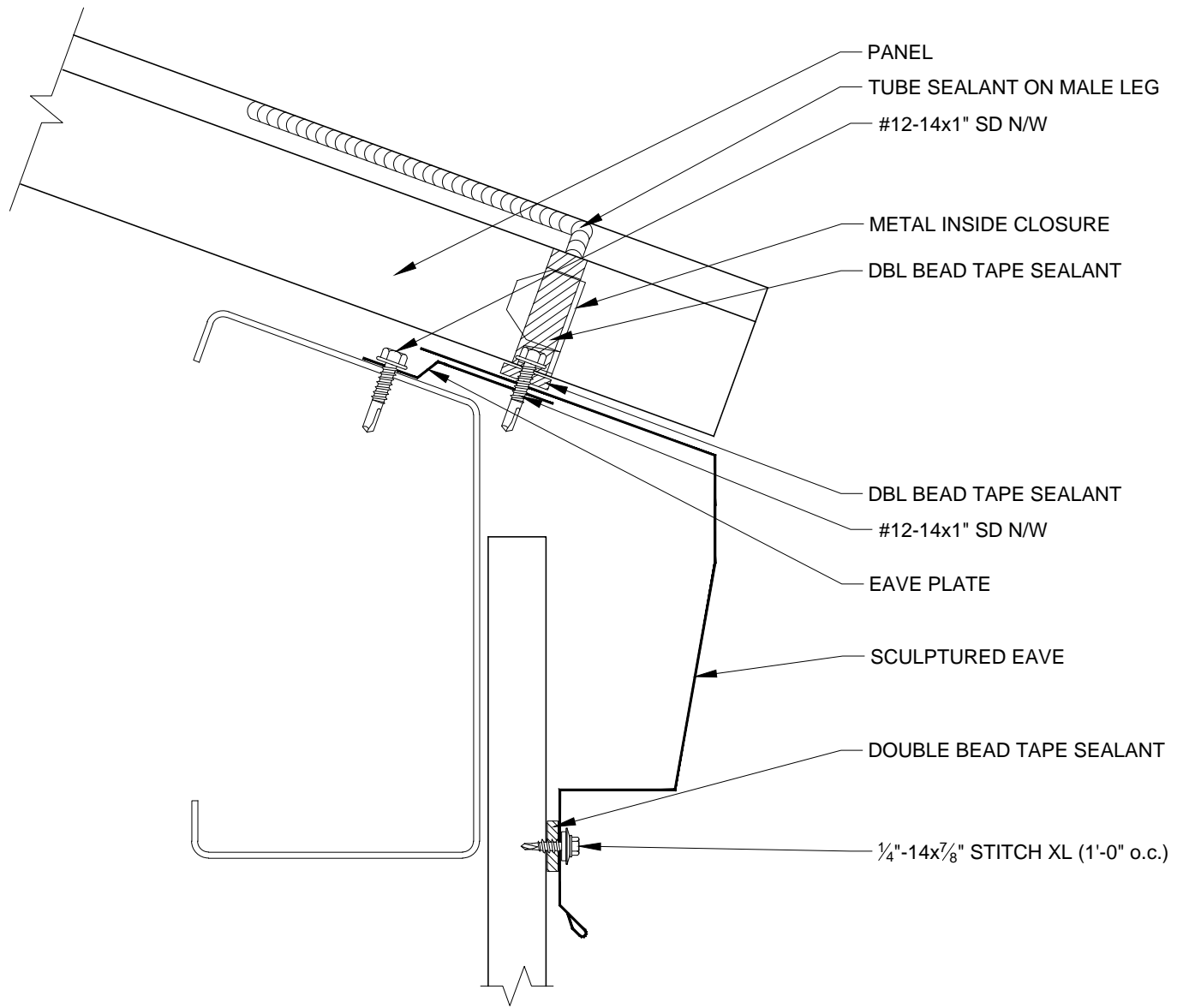
THIS DRAWING IS THE PROPERTY OF FABRAL, INC. THE USE OF THIS DRAWING WITHOUT THE EXPRESS PERMISSION OF FABRAL IS PROHIBITED.

**FABRAL, INC.**  
 3449 Hempland Road  
 Lancaster, PA 17601  
 800-477-2741

**OUTSIDE METAL CLOSURE DETAIL**

**IP SEAM / SNAP 3**

Issued:  
 APRIL 2012



**FABRAL**

Project: \_\_\_\_\_  
 Contractor: \_\_\_\_\_

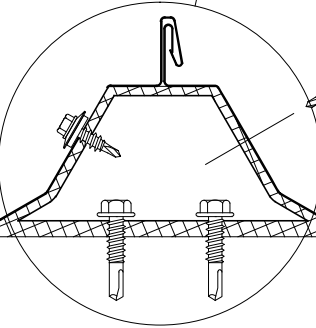
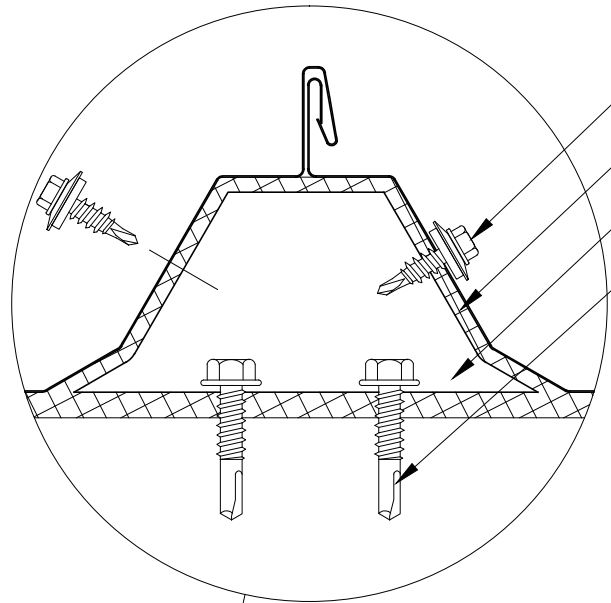
THIS DRAWING IS THE PROPERTY OF FABRAL, INC. THE USE OF THIS DRAWING WITHOUT THE EXPRESS PERMISSION OF FABRAL IS PROHIBITED.

**FABRAL, INC.**  
 3449 Hempland Road  
 Lancaster, PA 17601  
 800-477-2741

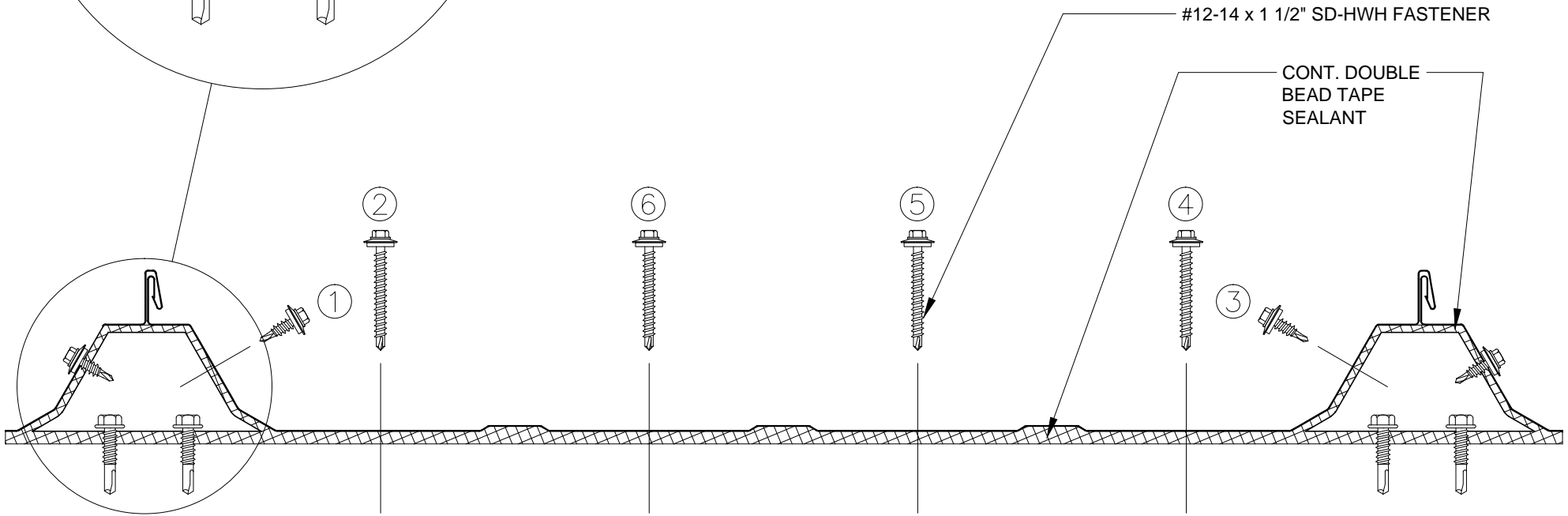
**FIXED EAVE DETAIL (FE-2)**

**IP SEAM / SNAP 3**

Issued:  
 APRIL 2012



- SD-HWH 7/8" STITCH FASTENER
- CONT. DOUBLE BEAD TAPE SEALANT
- METAL INSIDE CLOSURE
- #12-14X1" SD NW



- #12-14 x 1 1/2" SD-HWH FASTENER
- CONT. DOUBLE BEAD TAPE SEALANT

**FABRAL**

Project: \_\_\_\_\_

Contractor: \_\_\_\_\_

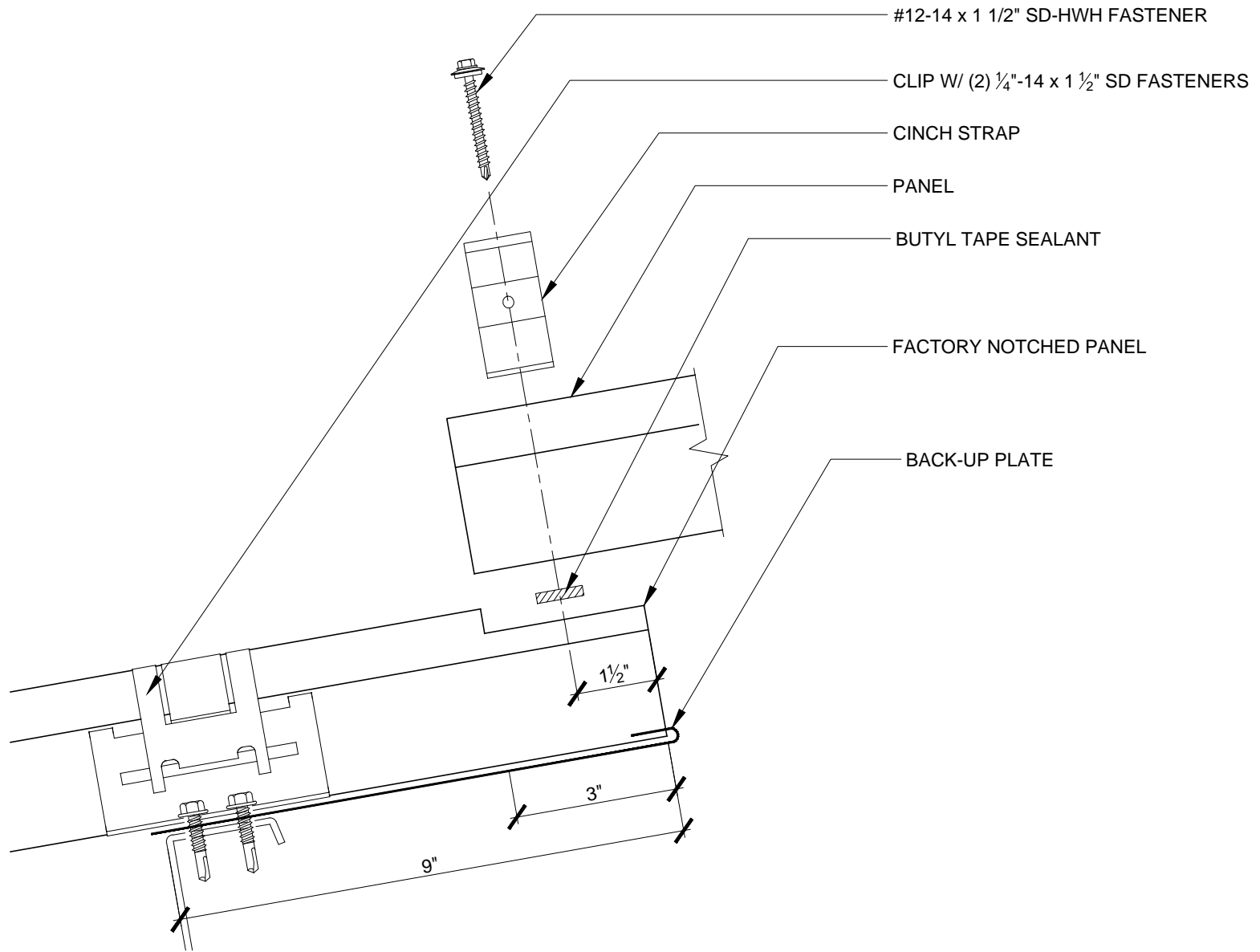
THIS DRAWING IS THE PROPERTY OF FABRAL, INC. THE USE OF THIS DRAWING WITHOUT THE EXPRESS PERMISSION OF FABRAL IS PROHIBITED.

**FABRAL, INC.**  
 3449 Hempland Road  
 Lancaster, PA 17601  
 800-477-2741

**INSIDE METAL CLOSURE DETAIL**

**IP SEAM / SNAP 3**

Issued:  
 APRIL 2012



**FABRAL**

Project:

Contractor:

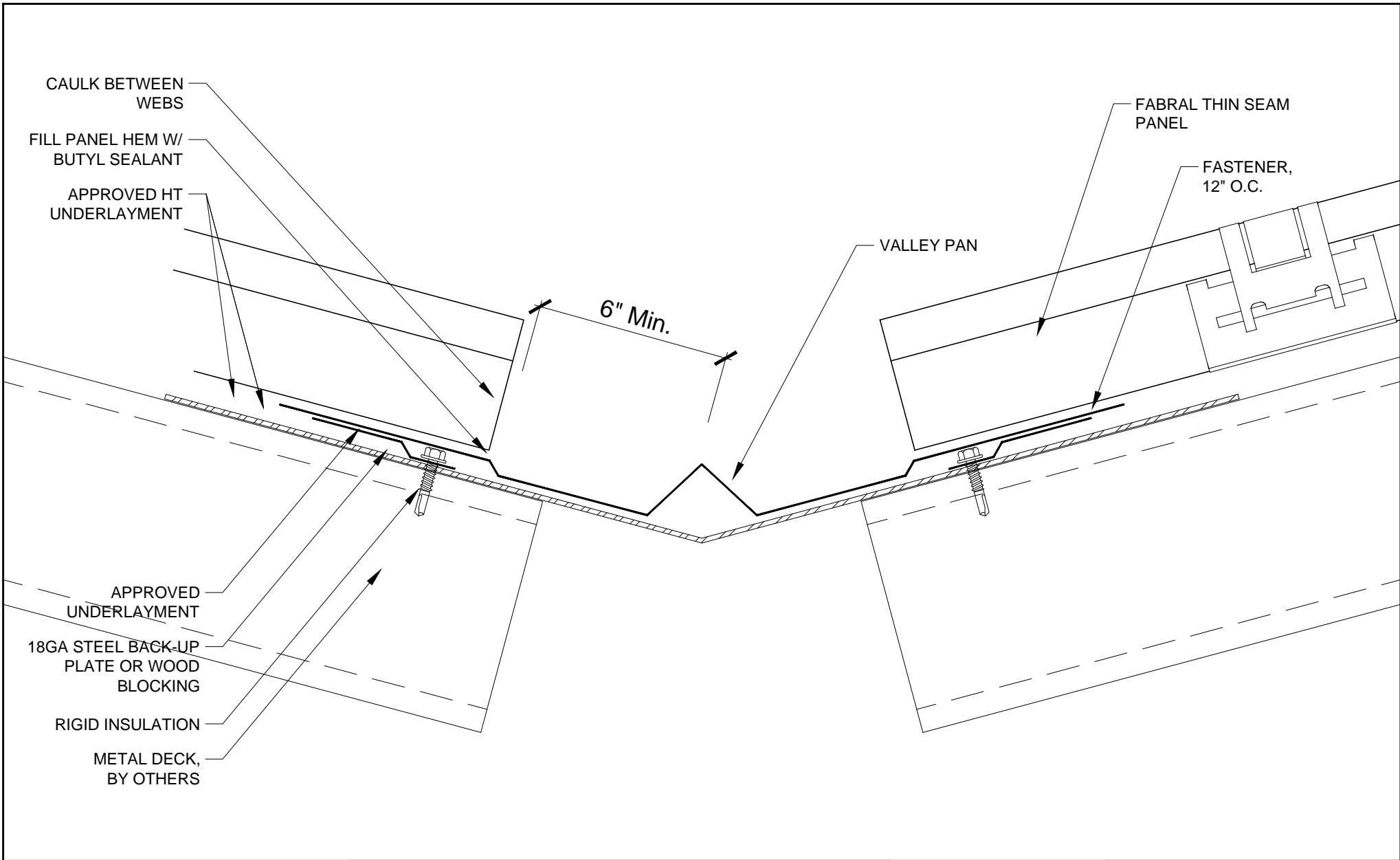
THIS DRAWING IS THE PROPERTY OF FABRAL, INC. THE USE OF THIS DRAWING WITHOUT THE EXPRESS PERMISSION OF FABRAL IS PROHIBITED.

**FABRAL, INC.**  
 3449 Hempland Road  
 Lancaster, PA 17601  
 800-477-2741

**ENDLAP DETAIL**

**IP SEAM / SNAP 3**

Issued:  
 APRIL 2012



**FABRAL**

Project:

Contractor:

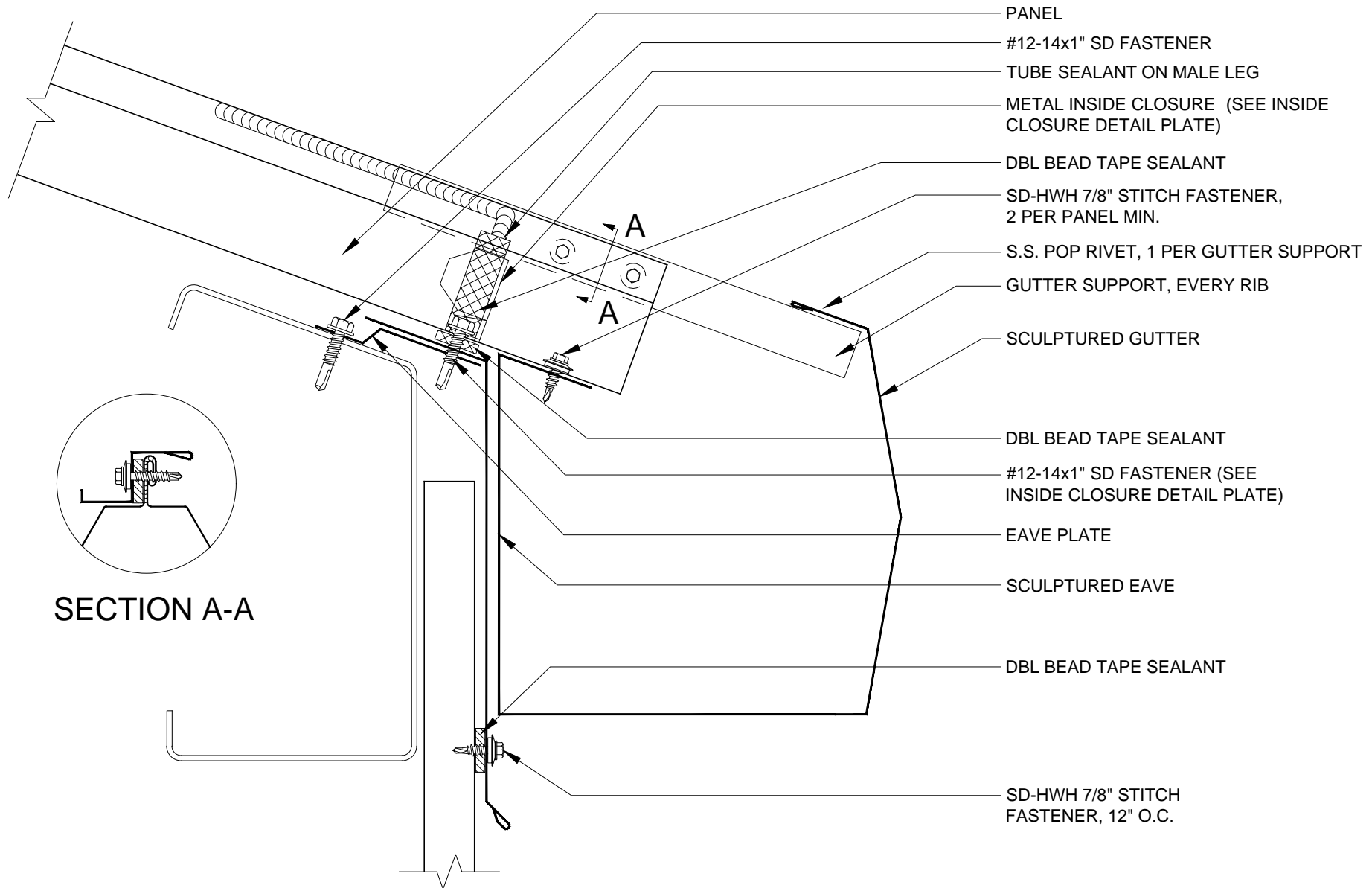
THIS DRAWING IS THE PROPERTY OF FABRAL, INC. THE USE OF THIS DRAWING WITHOUT THE EXPRESS PERMISSION OF FABRAL IS PROHIBITED.

**FABRAL, INC.**  
 3449 Hempland Road  
 Lancaster, PA 17601  
 800-477-2741

**VALLEY DETAIL (V-2)**

**IP SEAM / SNAP 3**

Issued:  
 APRIL 2012



SECTION A-A

**FABRAL**

Project:  
 Contractor:

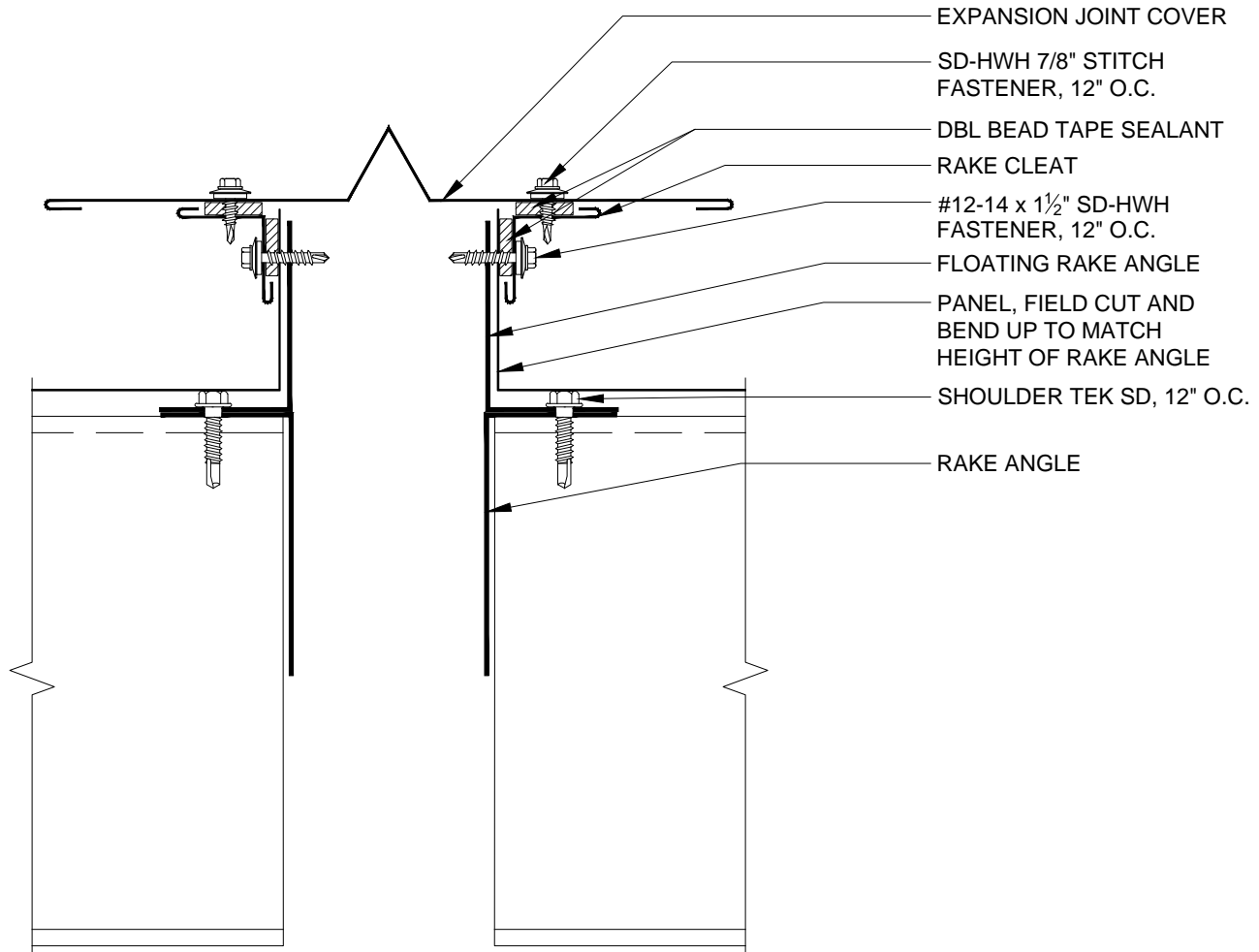
THIS DRAWING IS THE PROPERTY OF FABRAL, INC. THE USE OF THIS DRAWING WITHOUT THE EXPRESS PERMISSION OF FABRAL IS PROHIBITED.

**FABRAL, INC.**  
 3449 Hempland Road  
 Lancaster, PA 17601  
 800-477-2741

**SLIDING EAVE W/ GUTTER DETAIL (EG-1)**

**IP SEAM / SNAP 3**

Issued:  
 APRIL 2012



**FABRAL**

Project:

Contractor:

THIS DRAWING IS THE PROPERTY OF FABRAL, INC. THE USE OF THIS DRAWING WITHOUT THE EXPRESS PERMISSION OF FABRAL IS PROHIBITED.

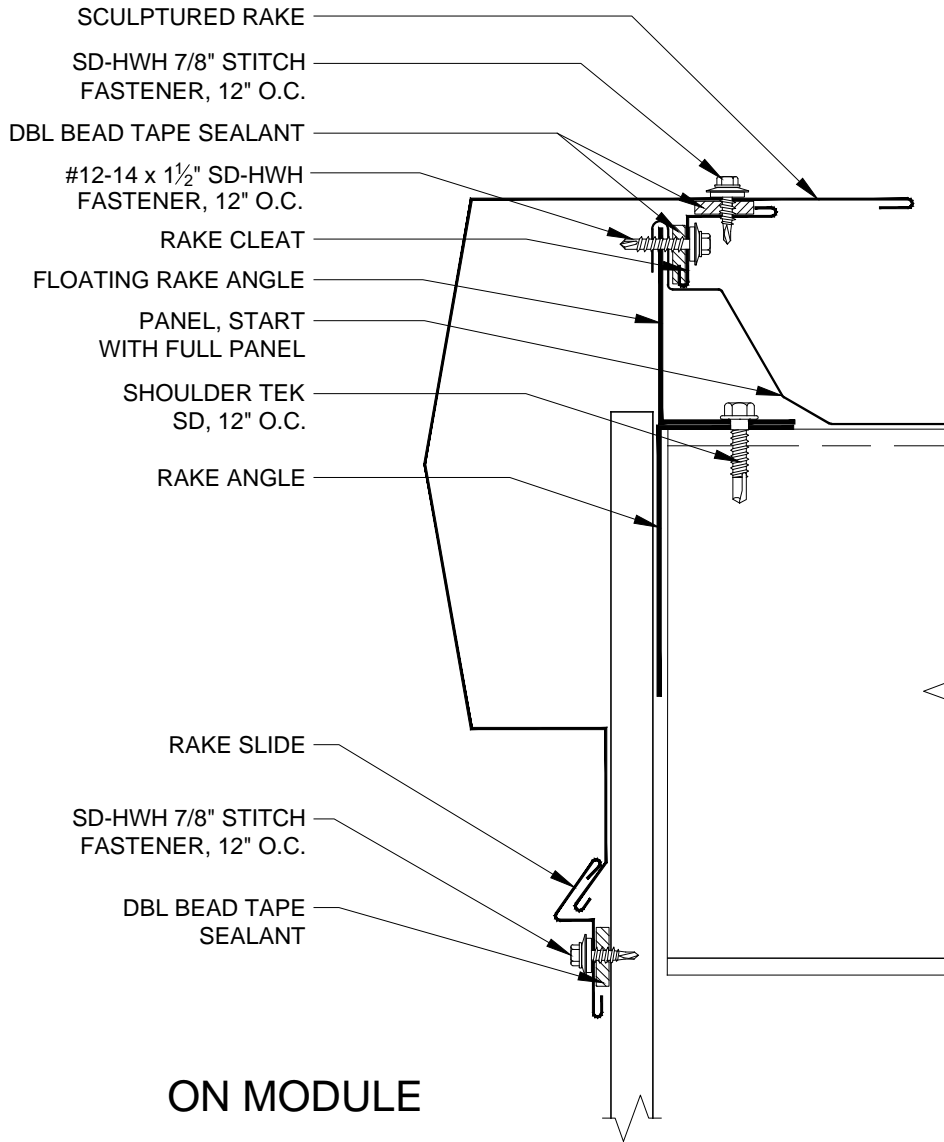
**FABRAL, INC.**  
 3449 Hempland Road  
 Lancaster, PA 17601  
 800-477-2741

**EXPANSION JOINT DETAIL (EJ-1)**

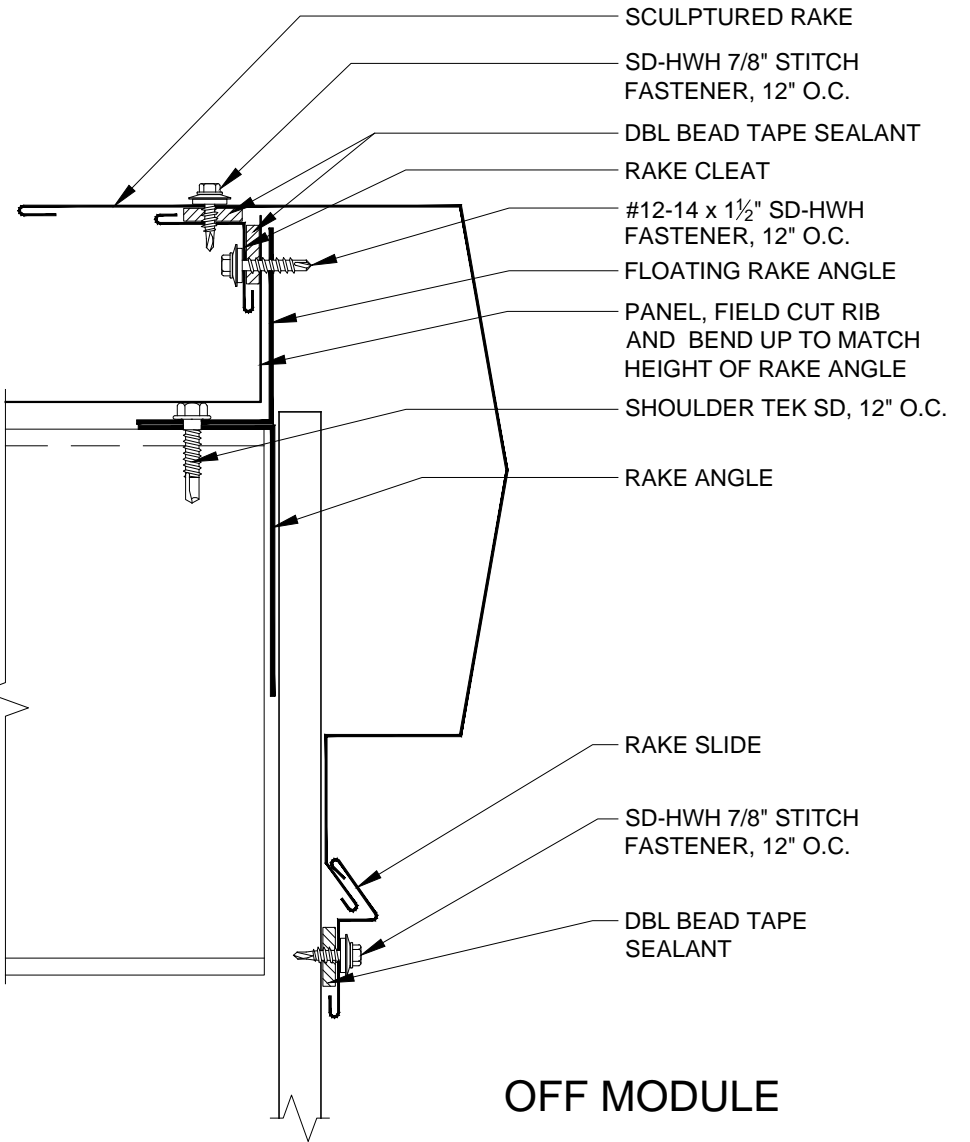
**IP SEAM / SNAP 3**

Issued:  
 APRIL 2012





ON MODULE



OFF MODULE

**FABRAL**

Project:  
Contractor:

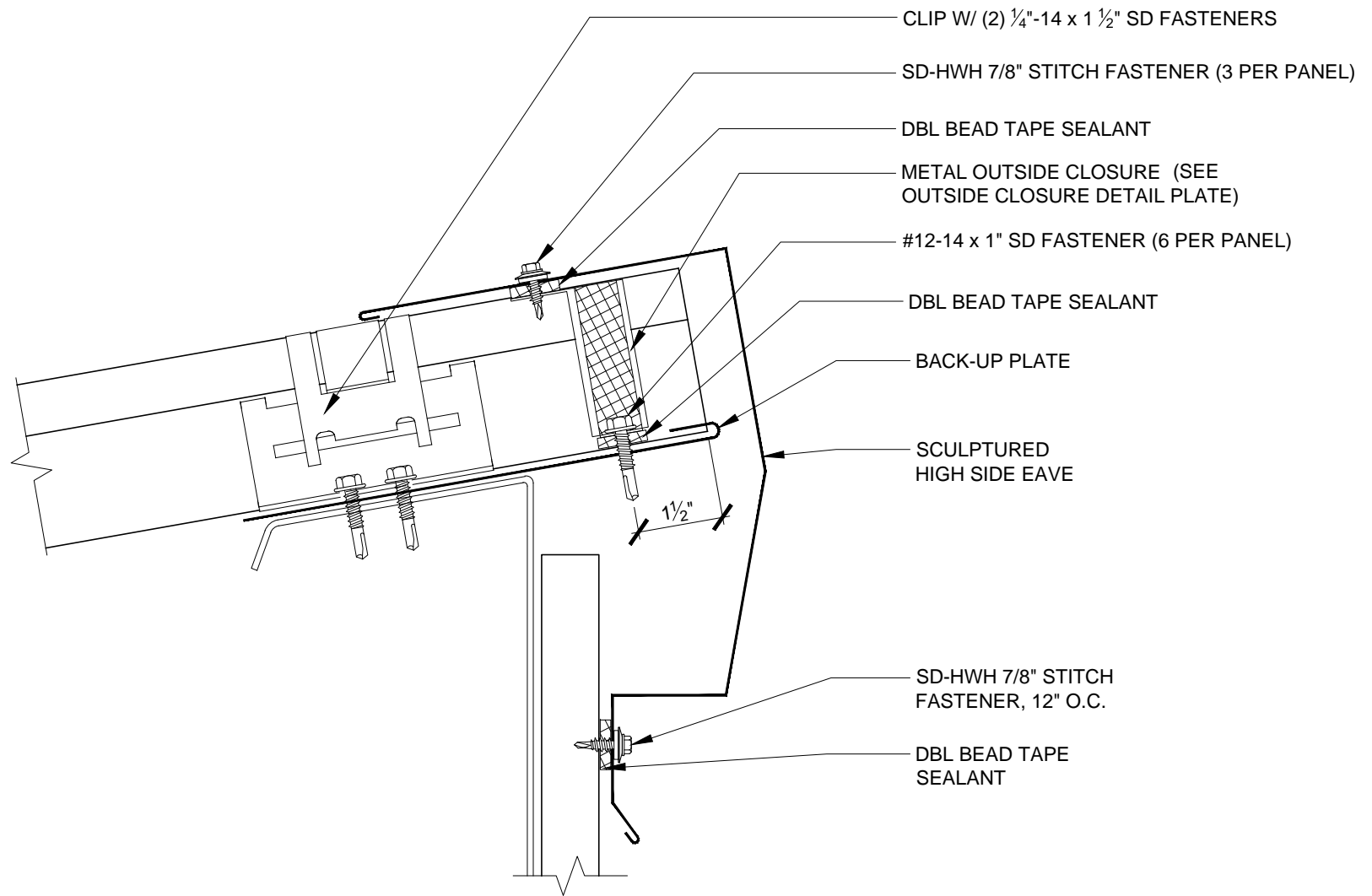
THIS DRAWING IS THE PROPERTY OF FABRAL, INC. THE USE OF THIS DRAWING WITHOUT THE EXPRESS PERMISSION OF FABRAL IS PROHIBITED.

**FABRAL, INC.**  
3449 Hempland Road  
Lancaster, PA 17601  
800-477-2741

**SLIDING GABLE DETAIL (G-2)**

**IP SEAM / SNAP 3**

Issued:  
APRIL 2012



**FABRAL**

Project:

Contractor:

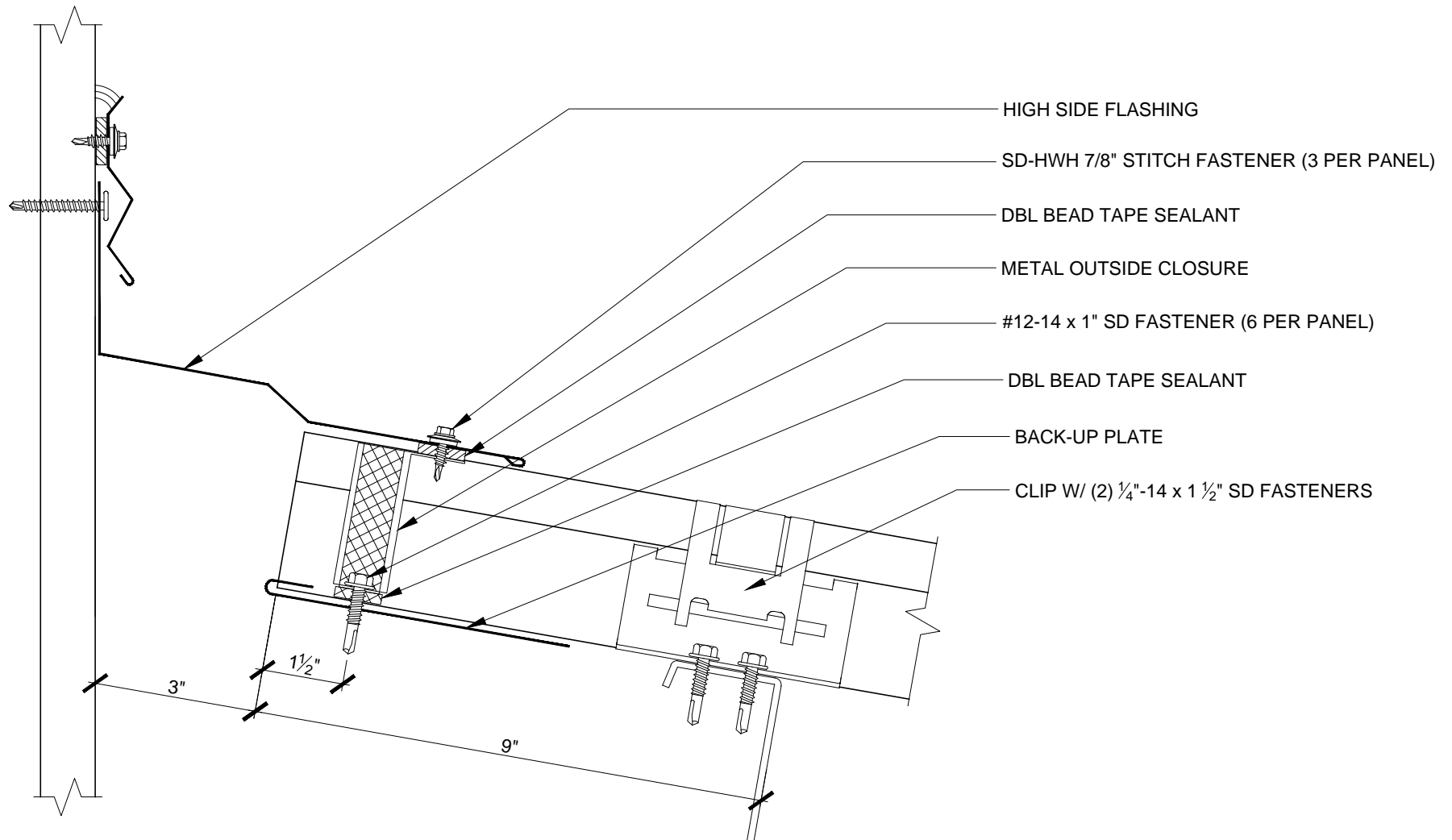
THIS DRAWING IS THE PROPERTY OF FABRAL, INC. THE USE OF THIS DRAWING WITHOUT THE EXPRESS PERMISSION OF FABRAL IS PROHIBITED.

**FABRAL, INC.**  
 3449 Hempland Road  
 Lancaster, PA 17601  
 800-477-2741

**HIGH SIDE EAVE DETAIL (HSE-1)**

**IP SEAM / SNAP 3**

Issued:  
 APRIL 2012



**FABRAL**

Project:

Contractor:

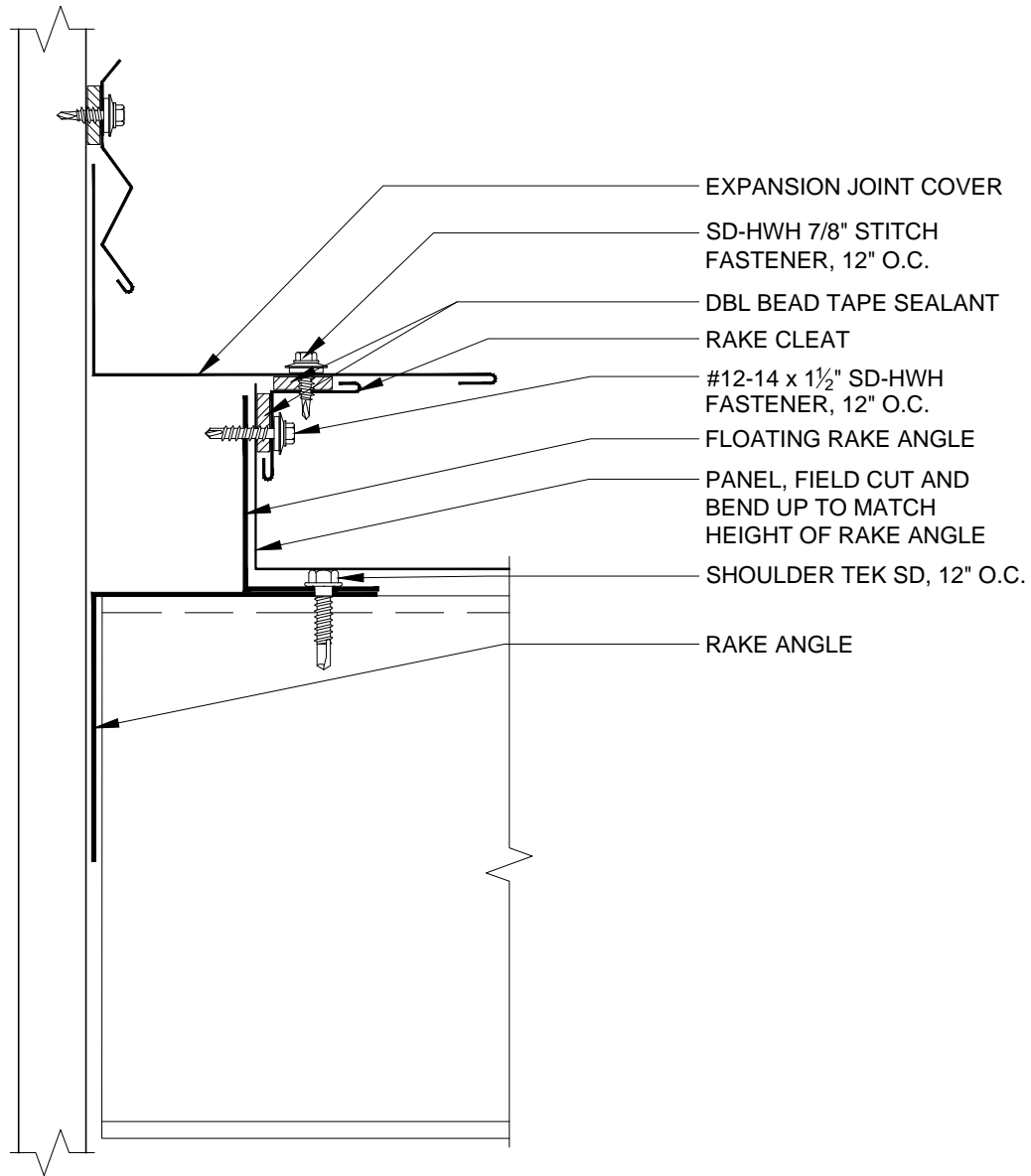
THIS DRAWING IS THE PROPERTY OF FABRAL, INC. THE USE OF THIS DRAWING WITHOUT THE EXPRESS PERMISSION OF FABRAL IS PROHIBITED.

**FABRAL, INC.**  
 3449 Hempland Road  
 Lancaster, PA 17601  
 800-477-2741

**HEADWALL DETAIL (HW-1)**

**IP SEAM / SNAP 3**

Issued:  
 APRIL 2012



**FABRAL**

Project:

Contractor:

THIS DRAWING IS THE PROPERTY OF FABRAL, INC. THE USE OF THIS DRAWING WITHOUT THE EXPRESS PERMISSION OF FABRAL IS PROHIBITED.

**FABRAL, INC.**  
 3449 Hempland Road  
 Lancaster, PA 17601  
 800-477-2741

**SIDEWALL DETAIL (SW-1)**

**IP SEAM / SNAP 3**

Issued:  
 APRIL 2012