

PANEL

AIR AND WATER BARRIER

SOLID SHEATHING

FASTENER, 12" O.C.

CONTINUOUS
STARTER STRIP

BASE TRIM

FABRAL

Project:

Contractor:

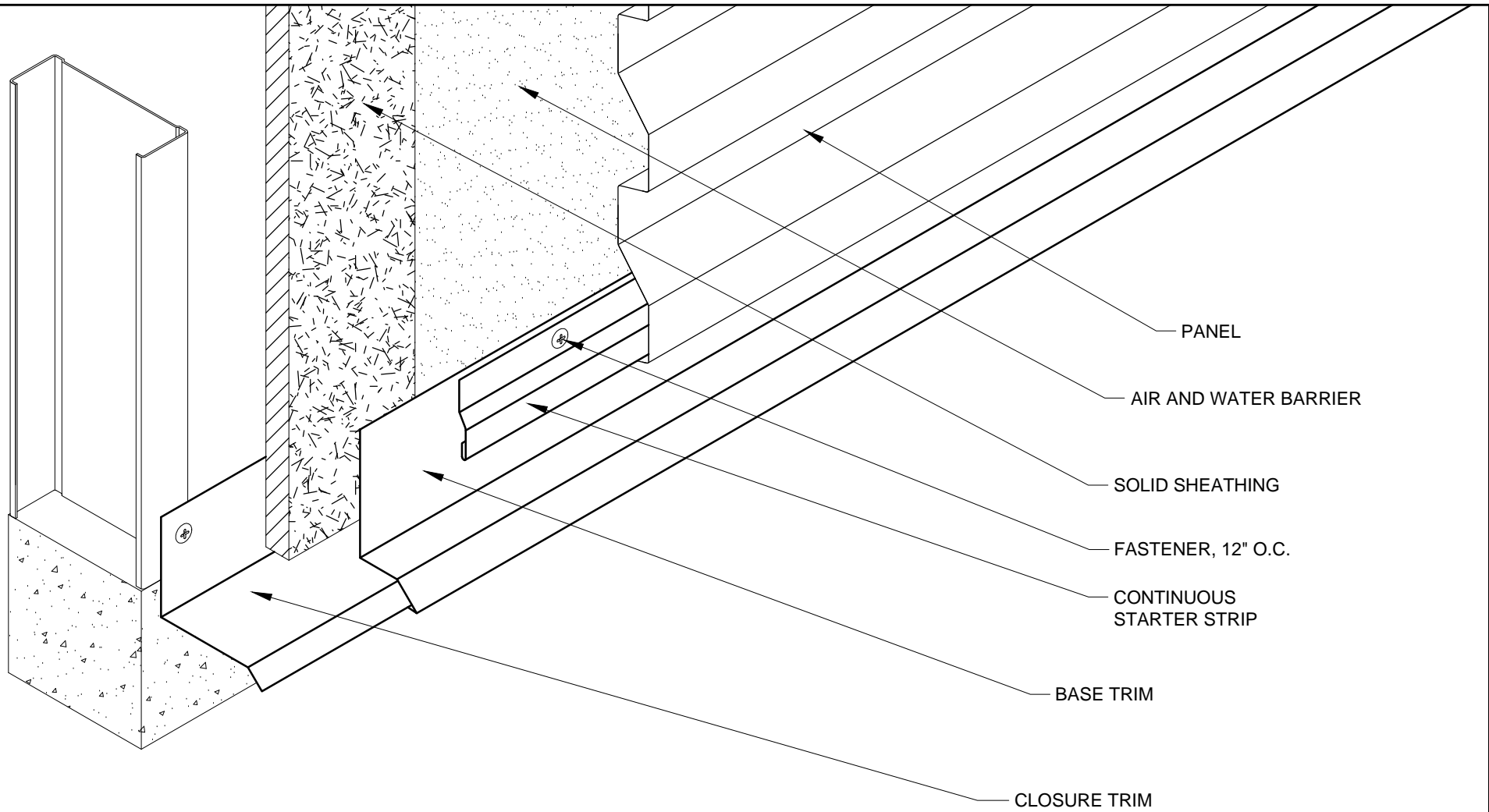
THIS DRAWING IS THE
PROPERTY OF FABRAL,
INC. THE USE OF THIS
DRAWING WITHOUT THE
EXPRESS PERMISSION OF
FABRAL IS PROHIBITED.

FABRAL, INC.
3449 Hempland Road
Lancaster, PA 17601
800-477-2741

BASE DETAIL (B-1)

HCF PANELS

Issued:
APRIL 2012



PANEL

AIR AND WATER BARRIER

SOLID SHEATHING

FASTENER, 12" O.C.

CONTINUOUS
STARTER STRIP

BASE TRIM

CLOSURE TRIM

FABRAL®

Project:

Contractor:

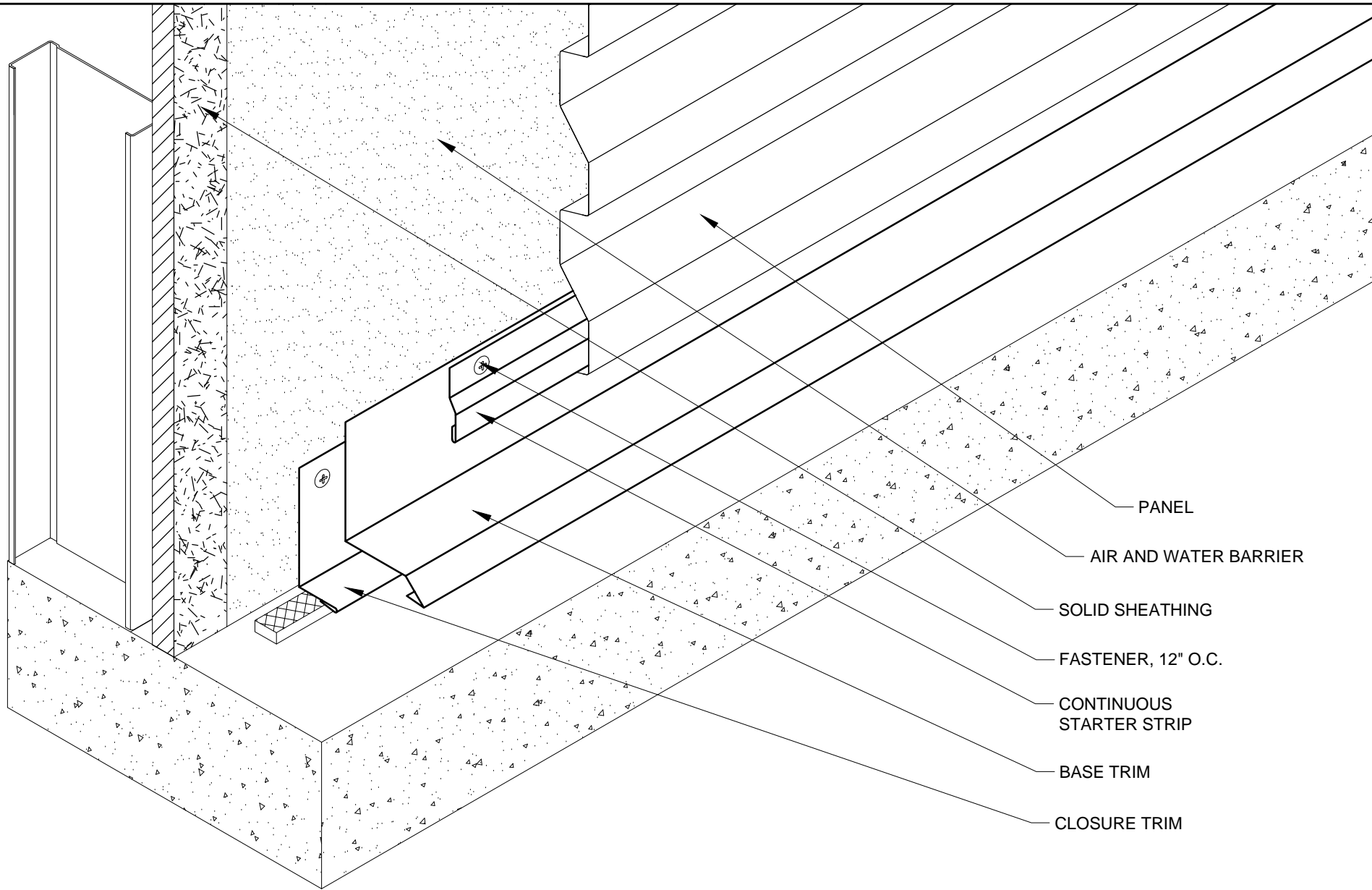
THIS DRAWING IS THE
PROPERTY OF FABRAL,
INC. THE USE OF THIS
DRAWING WITHOUT THE
EXPRESS PERMISSION OF
FABRAL IS PROHIBITED.

FABRAL, INC.
3449 Hempland Road
Lancaster, PA 17601
800-477-2741

BASE DETAIL (B-2)

HCF PANELS

Issued:
APRIL 2012



PANEL

AIR AND WATER BARRIER

SOLID SHEATHING

FASTENER, 12" O.C.

CONTINUOUS
STARTER STRIP

BASE TRIM

CLOSURE TRIM

FABRAL[®]

Project:

Contractor:

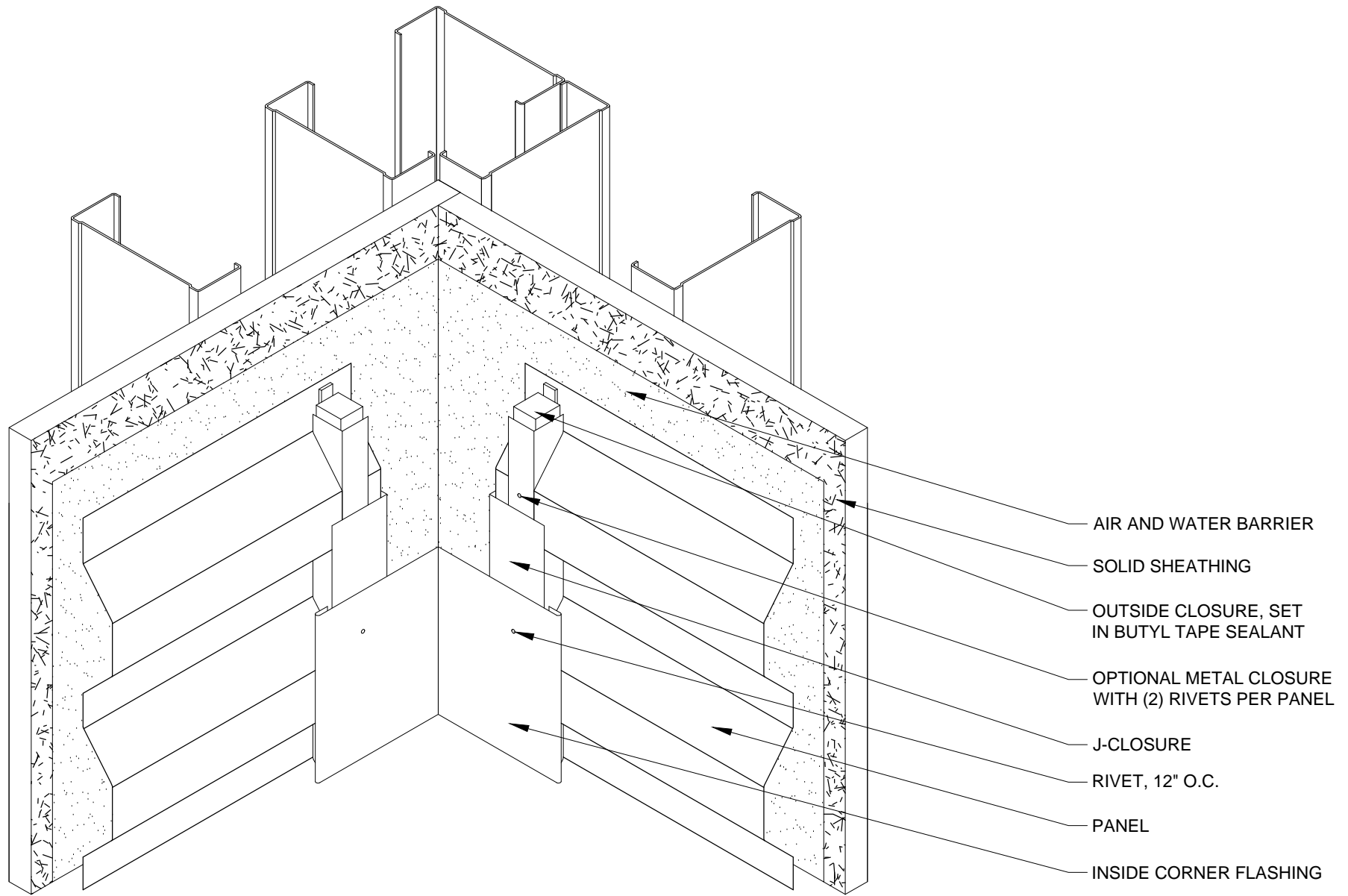
THIS DRAWING IS THE
PROPERTY OF FABRAL,
INC. THE USE OF THIS
DRAWING WITHOUT THE
EXPRESS PERMISSION OF
FABRAL IS PROHIBITED.

FABRAL, INC.
3449 Hempland Road
Lancaster, PA 17601
800-477-2741

BASE DETAIL (B-3)

HCF PANELS

Issued:
APRIL 2012



- AIR AND WATER BARRIER
- SOLID SHEATHING
- OUTSIDE CLOSURE, SET IN BUTYL TAPE SEALANT
- OPTIONAL METAL CLOSURE WITH (2) RIVETS PER PANEL
- J-CLOSURE
- RIVET, 12" O.C.
- PANEL
- INSIDE CORNER FLASHING

FABRAL®

Project:

Contractor:

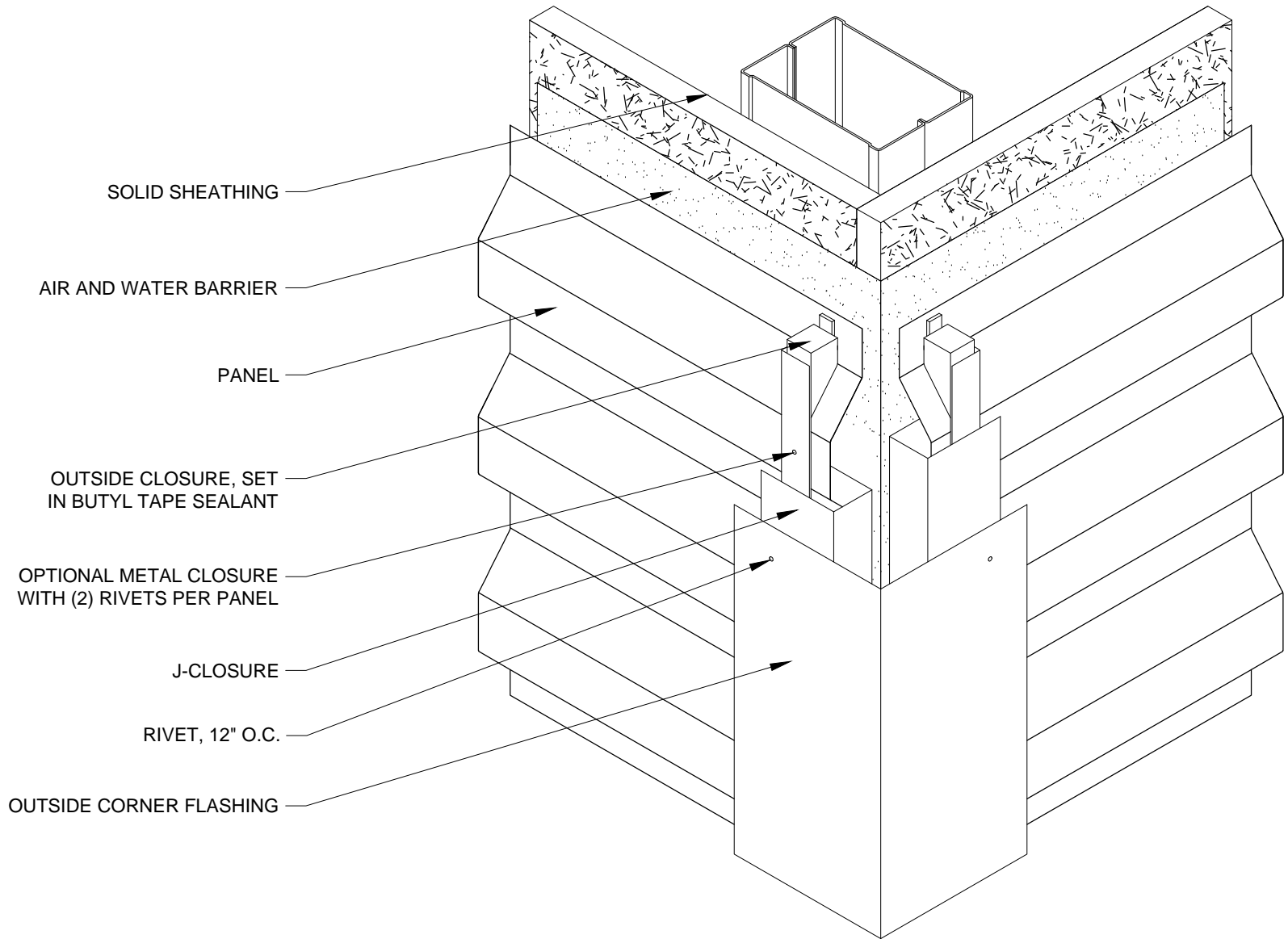
THIS DRAWING IS THE PROPERTY OF FABRAL, INC. THE USE OF THIS DRAWING WITHOUT THE EXPRESS PERMISSION OF FABRAL IS PROHIBITED.

FABRAL, INC.
 3449 Hempland Road
 Lancaster, PA 17601
 800-477-2741

INSIDE CORNER DETAIL (IS-1)

HCF PANELS

Issued:
 APRIL 2012



FABRAL[®]

Project: _____

Contractor: _____

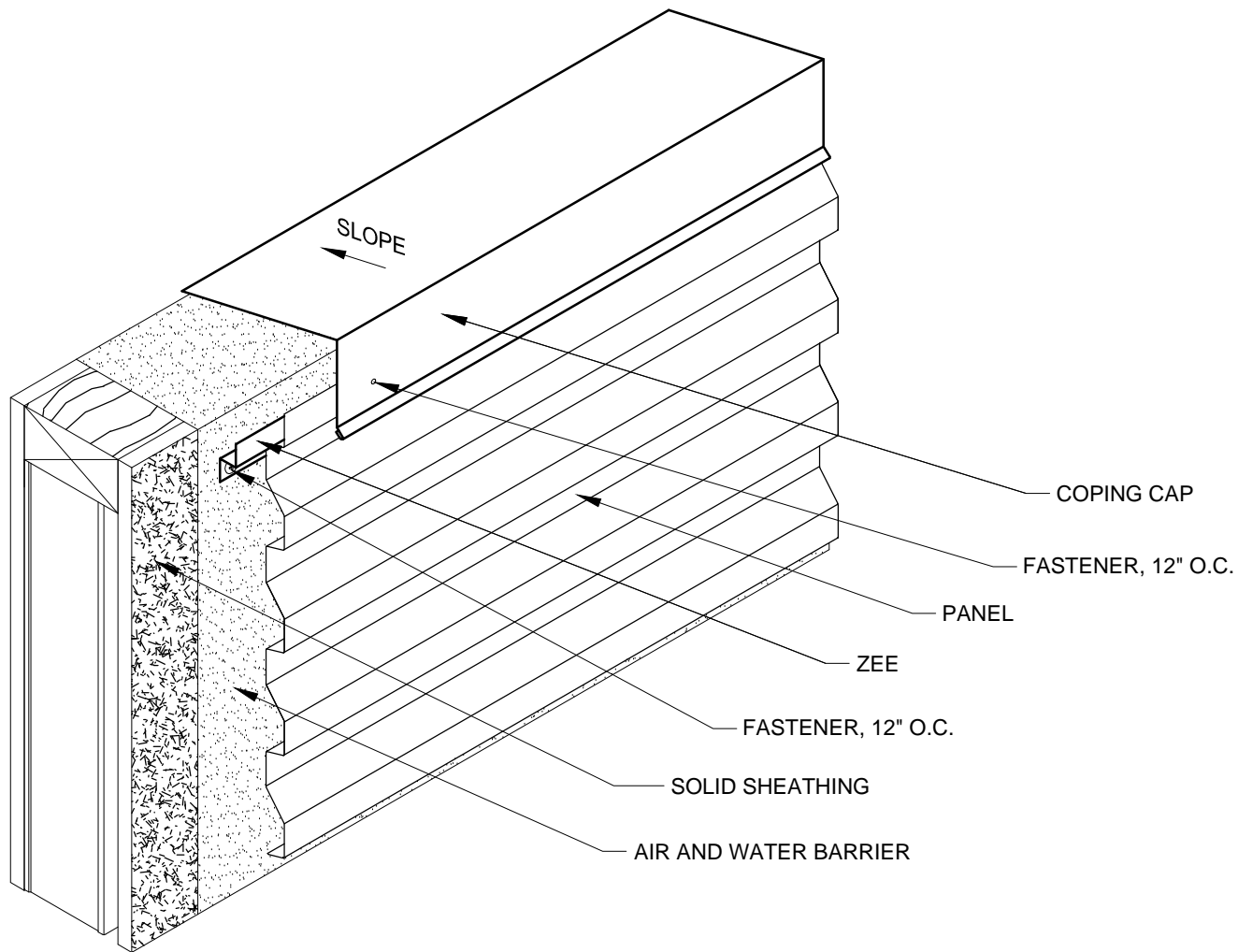
THIS DRAWING IS THE PROPERTY OF FABRAL, INC. THE USE OF THIS DRAWING WITHOUT THE EXPRESS PERMISSION OF FABRAL IS PROHIBITED.

FABRAL, INC.
 3449 Hempland Road
 Lancaster, PA 17601
 800-477-2741

OUTSIDE CORNER DETAIL (OS-1)

HCF PANELS

Issued:
 APRIL 2012



FABRAL®

Project:

Contractor:

THIS DRAWING IS THE
PROPERTY OF FABRAL,
INC. THE USE OF THIS
DRAWING WITHOUT THE
EXPRESS PERMISSION OF
FABRAL IS PROHIBITED.

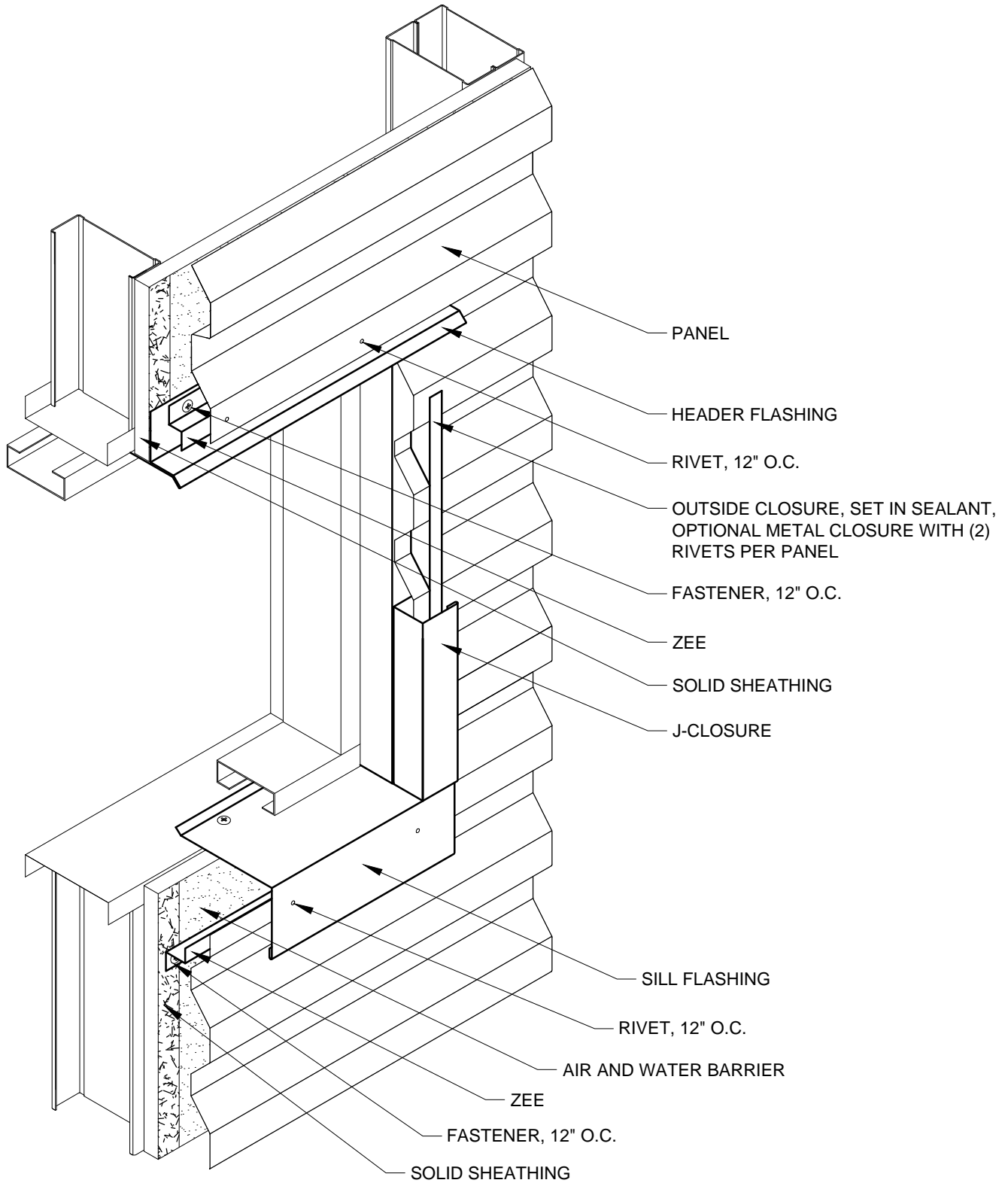
FABRAL, INC.
3449 Hempland Road
Lancaster, PA 17601
800-477-2741

PARAPET DETAIL (PW-1)

HCF PANELS

Issued:

APRIL 2012



FABRAL®

Project:

Contractor:

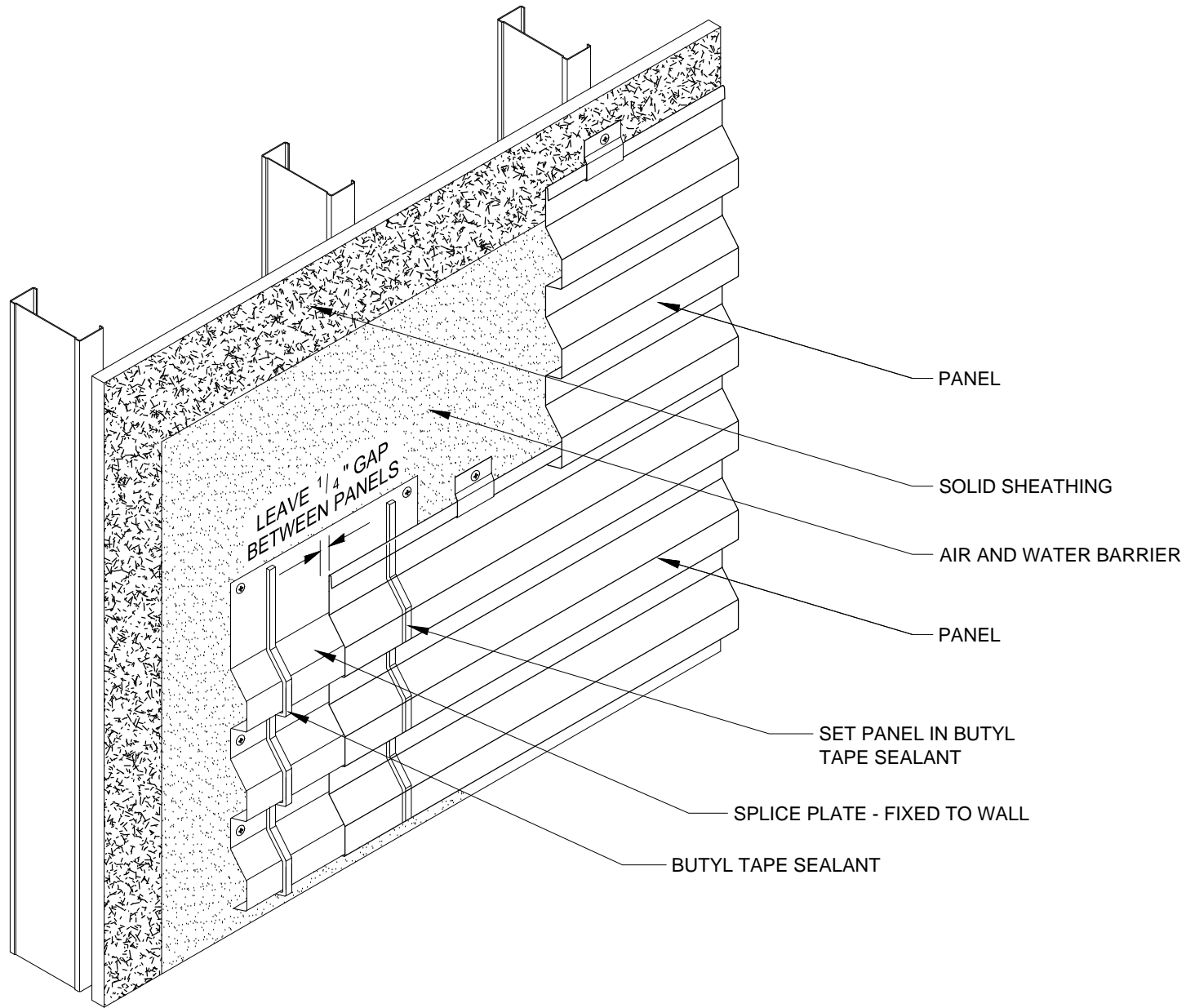
THIS DRAWING IS THE PROPERTY OF FABRAL, INC. THE USE OF THIS DRAWING WITHOUT THE EXPRESS PERMISSION OF FABRAL IS PROHIBITED.

FABRAL, INC.
 3449 Hempland Road
 Lancaster, PA 17601
 800-477-2741

TYPICAL OPENING

HCF PANELS

Issued:
 APRIL 2012



FABRAL®

Project:

Contractor:

THIS DRAWING IS THE PROPERTY OF FABRAL, INC. THE USE OF THIS DRAWING WITHOUT THE EXPRESS PERMISSION OF FABRAL IS PROHIBITED.

FABRAL, INC.
 3449 Hempland Road
 Lancaster, PA 17601
 800-477-2741

PANEL SPLICE DETAIL (PS-1)

HCF PANELS

Issued:
 APRIL 2012