

**FABRAL**

Project:

Contractor:

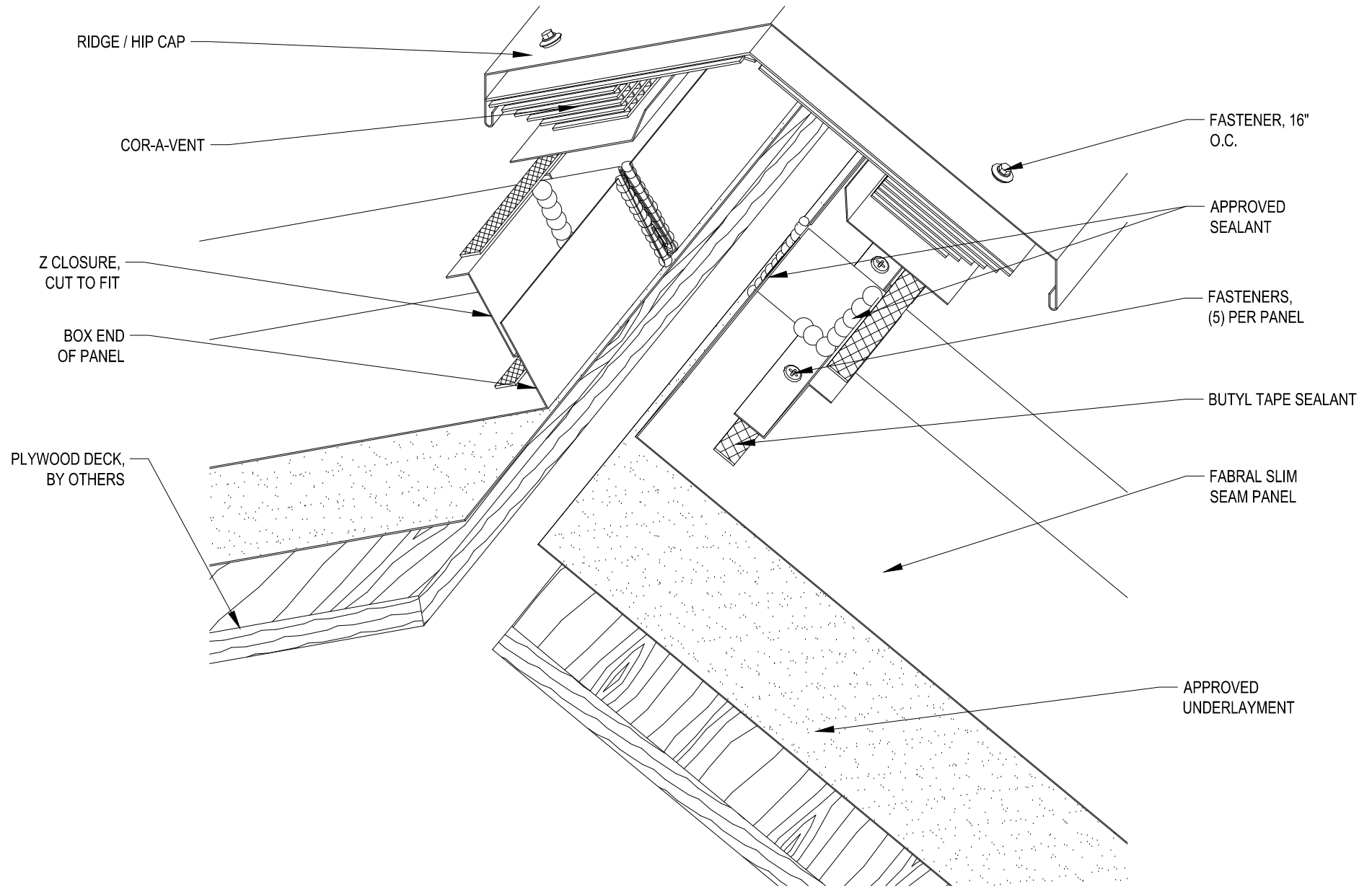
THIS DRAWING IS THE PROPERTY OF FABRAL, INC. THE USE OF THIS DRAWING WITHOUT THE EXPRESS PERMISSION OF FABRAL IS PROHIBITED.

**FABRAL, INC.**  
 3449 Hempland Road  
 Lancaster, PA 17601  
 800-477-2741

**FIXED HIP/RIDGE DETAIL (HR-1)**

**SLIM SEAM**

Issued:  
 APRIL 2012



**FABRAL**

Project:

Contractor:

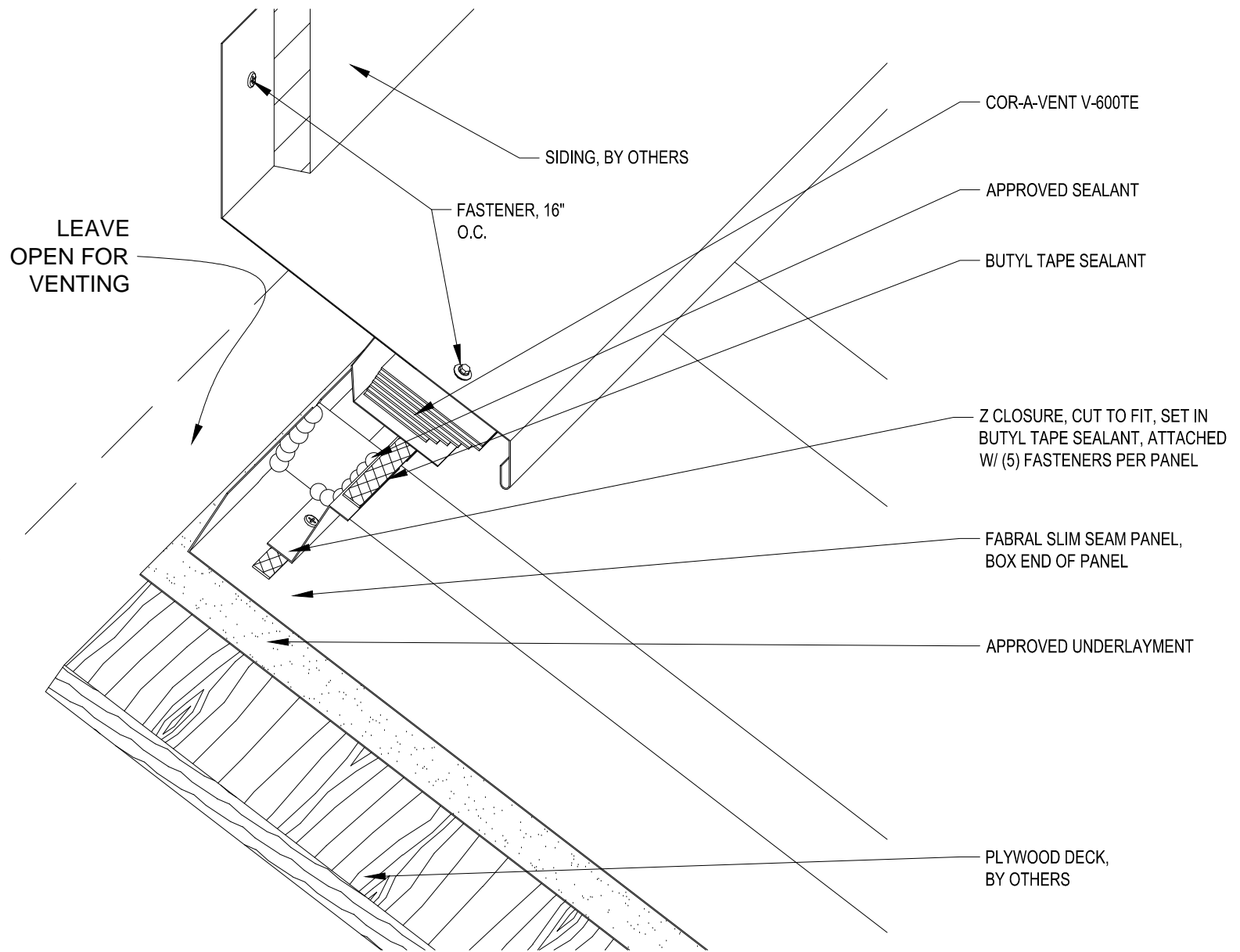
THIS DRAWING IS THE PROPERTY OF FABRAL, INC. THE USE OF THIS DRAWING WITHOUT THE EXPRESS PERMISSION OF FABRAL IS PROHIBITED.

**FABRAL, INC.**  
 3449 Hempland Road  
 Lancaster, PA 17601  
 800-477-2741

**VENTED HIP RIDGE DETAIL (VHR-1)**

**SLIM SEAM**

Issued:  
 APRIL 2012



**FABRAL**

Project:

Contractor:

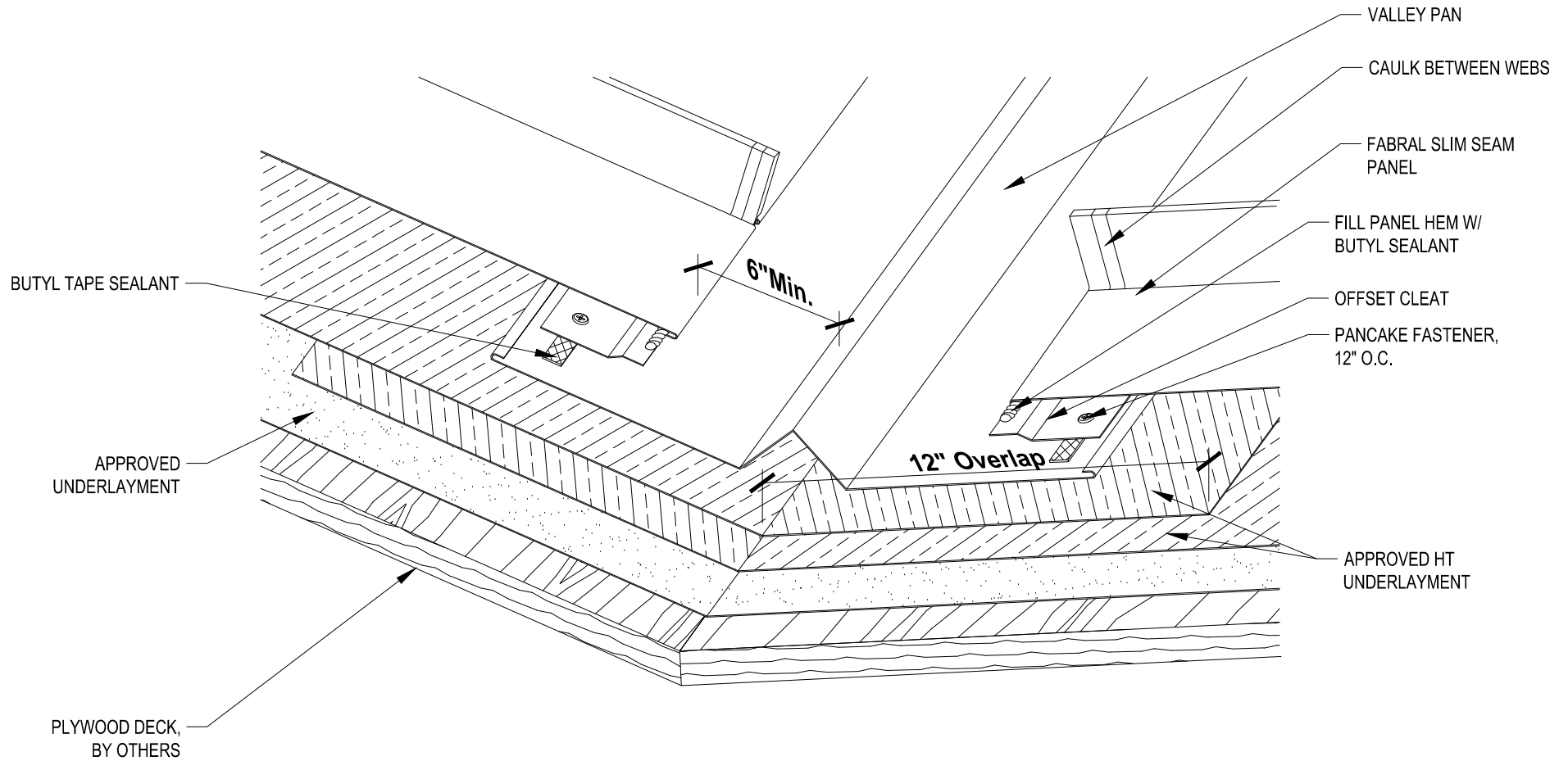
THIS DRAWING IS THE PROPERTY OF FABRAL, INC. THE USE OF THIS DRAWING WITHOUT THE EXPRESS PERMISSION OF FABRAL IS PROHIBITED.

**FABRAL, INC.**  
 3449 Hempland Road  
 Lancaster, PA 17601  
 800-477-2741

**VENTED HEADWALL DETAIL (VHW-1)**

**SLIM SEAM**

Issued:  
 APRIL 2012



**FABRAL**

Project:

Contractor:

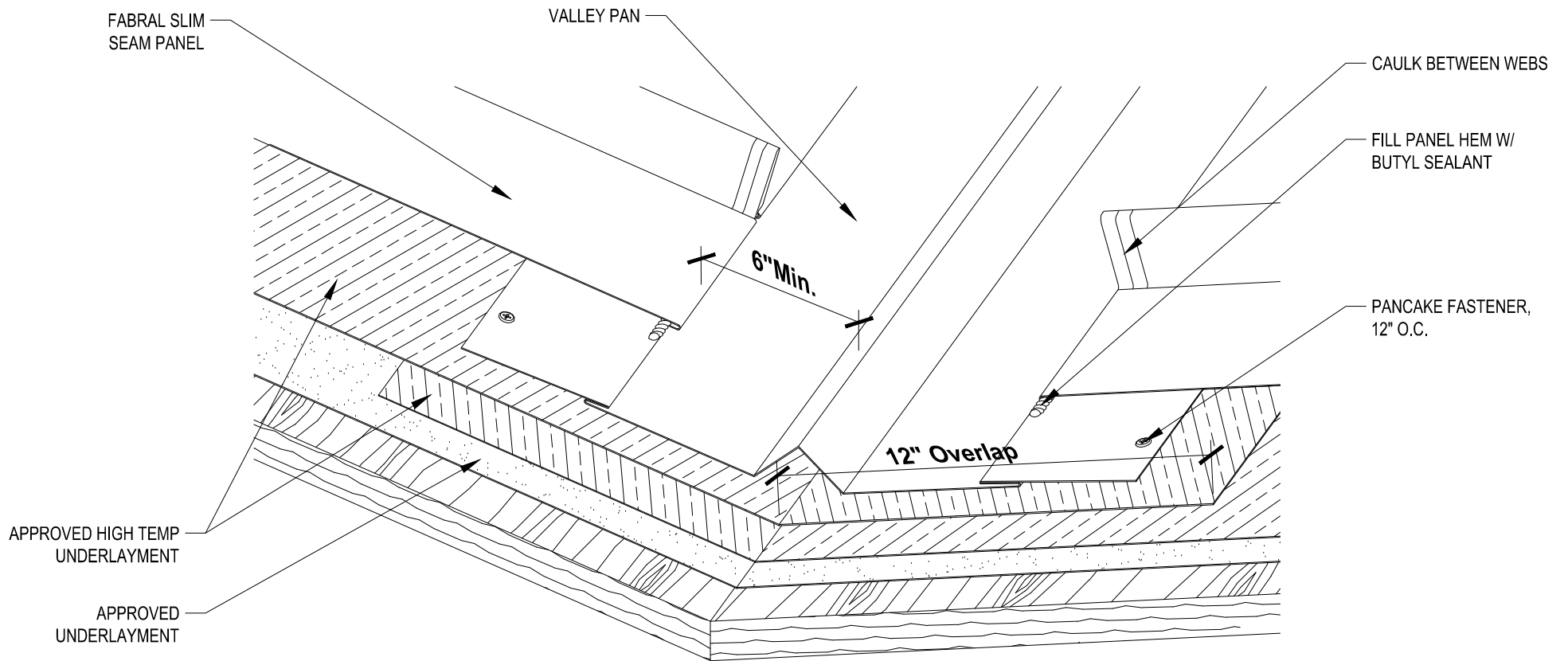
THIS DRAWING IS THE PROPERTY OF FABRAL, INC. THE USE OF THIS DRAWING WITHOUT THE EXPRESS PERMISSION OF FABRAL IS PROHIBITED.

**FABRAL, INC.**  
 3449 Hempland Road  
 Lancaster, PA 17601  
 800-477-2741

**VALLEY DETAIL (V-1)**

**SLIM SEAM**

Issued:  
 APRIL 2012



**FABRAL**

Project:

Contractor:

THIS DRAWING IS THE PROPERTY OF FABRAL, INC. THE USE OF THIS DRAWING WITHOUT THE EXPRESS PERMISSION OF FABRAL IS PROHIBITED.

**FABRAL, INC.**  
 3449 Hempland Road  
 Lancaster, PA 17601  
 800-477-2741

**VALLEY DETAIL (V-2)**

**SLIM SEAM**

Issued:  
 APRIL 2012

APPROVED  
UNDERLAYMENT, TURN  
DOWN VERTICALLY 3" MIN.

PLYWOOD DECK,  
BY OTHERS

FASCIA BOARD,  
BY OTHERS

FASCIA WRAP,  
OPTIONAL

FABRAL SLIM  
SEAM PANEL

CAULK BETWEEN WEBS

PANCAKE FASTENER, 12" O.C.

BUTYL TAPE SEALANT (ONLY  
REQ'D FOR SLOPES 2:12 OR LESS)

EAVE FLASHING

FASTENER, 12"  
O.C.

CLEAT

GUTTER

STRAP / HANGER

**FABRAL**

Project:

Contractor:

THIS DRAWING IS THE  
PROPERTY OF FABRAL,  
INC. THE USE OF THIS  
DRAWING WITHOUT THE  
EXPRESS PERMISSION OF  
FABRAL IS PROHIBITED.

**FABRAL, INC.**  
3449 Hempland Road  
Lancaster, PA 17601  
800-477-2741

**SLIDING EAVE W/ GUTTER DETAIL (EG-1)**

**SLIM SEAM**

Issued:

APRIL 2012

APPROVED  
UNDERLAYMENT, TURN  
DOWN VERTICALLY 3" MIN.

FABRAL SLIM  
SEAM PANEL

CAULK BETWEEN WEBS

BUTYL TAPE SEALANT (ONLY  
REQ'D FOR SLOPES 2:12 OR LESS)

PLYWOOD DECK,  
BY OTHERS

PANCAKE FASTENER, 12" O.C.

EAVE FLASHING

FASTENER, 12" O.C.

FASCIA BOARD,  
BY OTHERS

CLEAT

FASCIA WRAP,  
OPTIONAL

**FABRAL**

Project:

Contractor:

THIS DRAWING IS THE  
PROPERTY OF FABRAL,  
INC. THE USE OF THIS  
DRAWING WITHOUT THE  
EXPRESS PERMISSION OF  
FABRAL IS PROHIBITED.

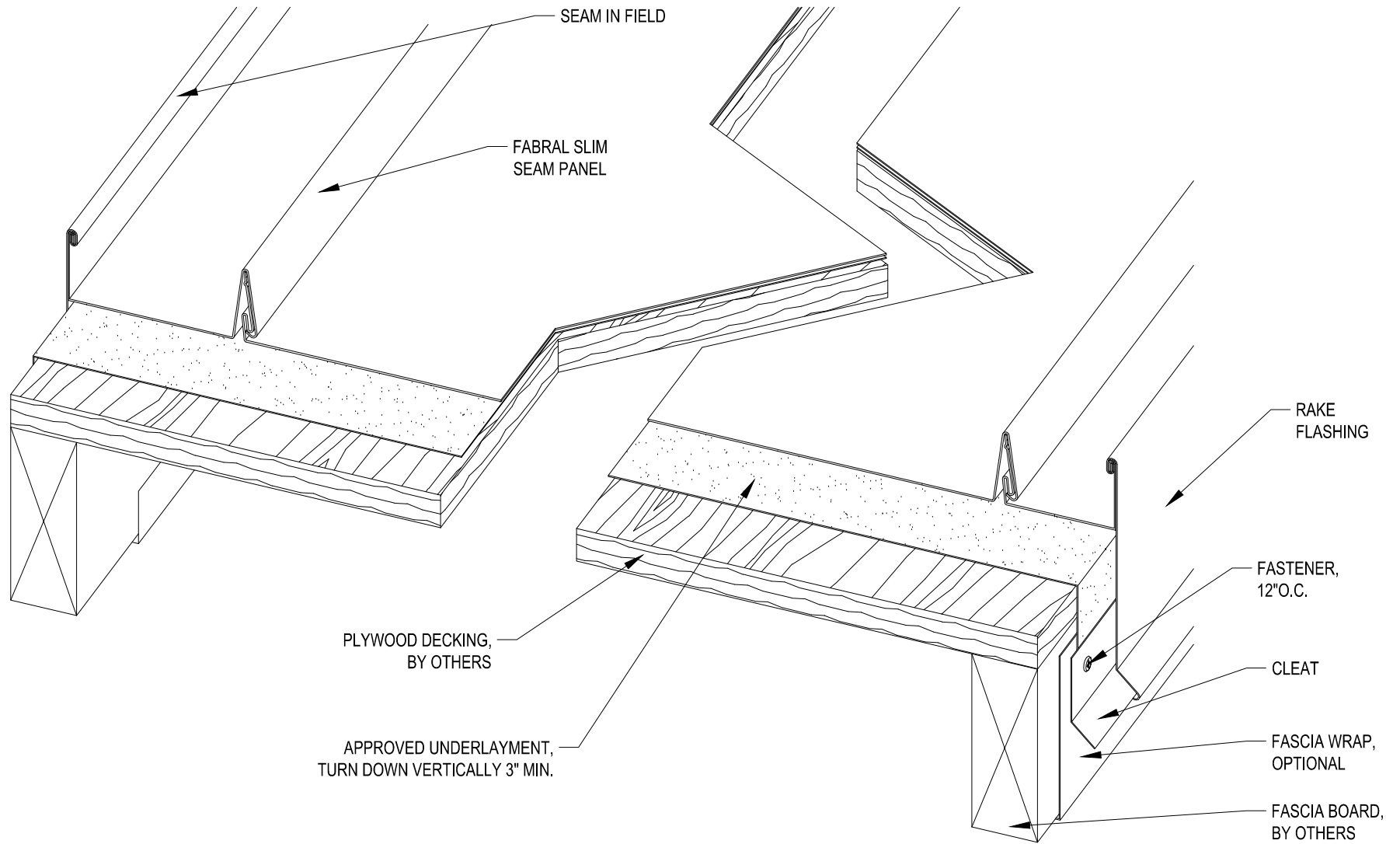
**FABRAL, INC.**  
3449 Hempland Road  
Lancaster, PA 17601  
800-477-2741

**SLIDING EAVE DETAIL (E-1)**

**SLIM SEAM**

Issued:

APRIL 2012



**FABRAL**

Project:

Contractor:

THIS DRAWING IS THE PROPERTY OF FABRAL, INC. THE USE OF THIS DRAWING WITHOUT THE EXPRESS PERMISSION OF FABRAL IS PROHIBITED.

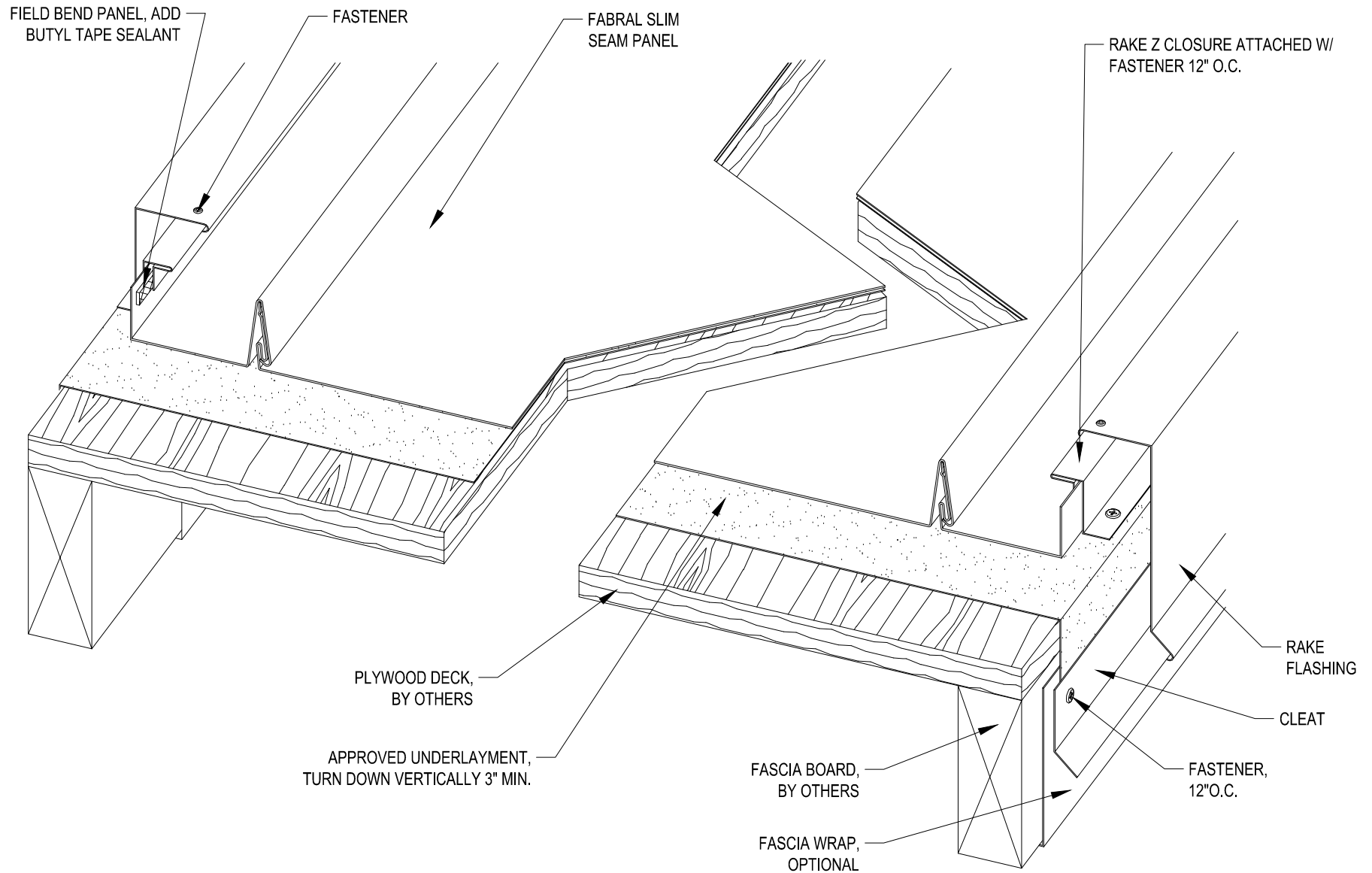
**FABRAL, INC.**  
 3449 Hempland Road  
 Lancaster, PA 17601  
 800-477-2741

**SLIDING GABLE DETAIL (G-1)**

**SLIM SEAM**

Issued:  
 APRIL 2012





**FABRAL**

Project:

Contractor:

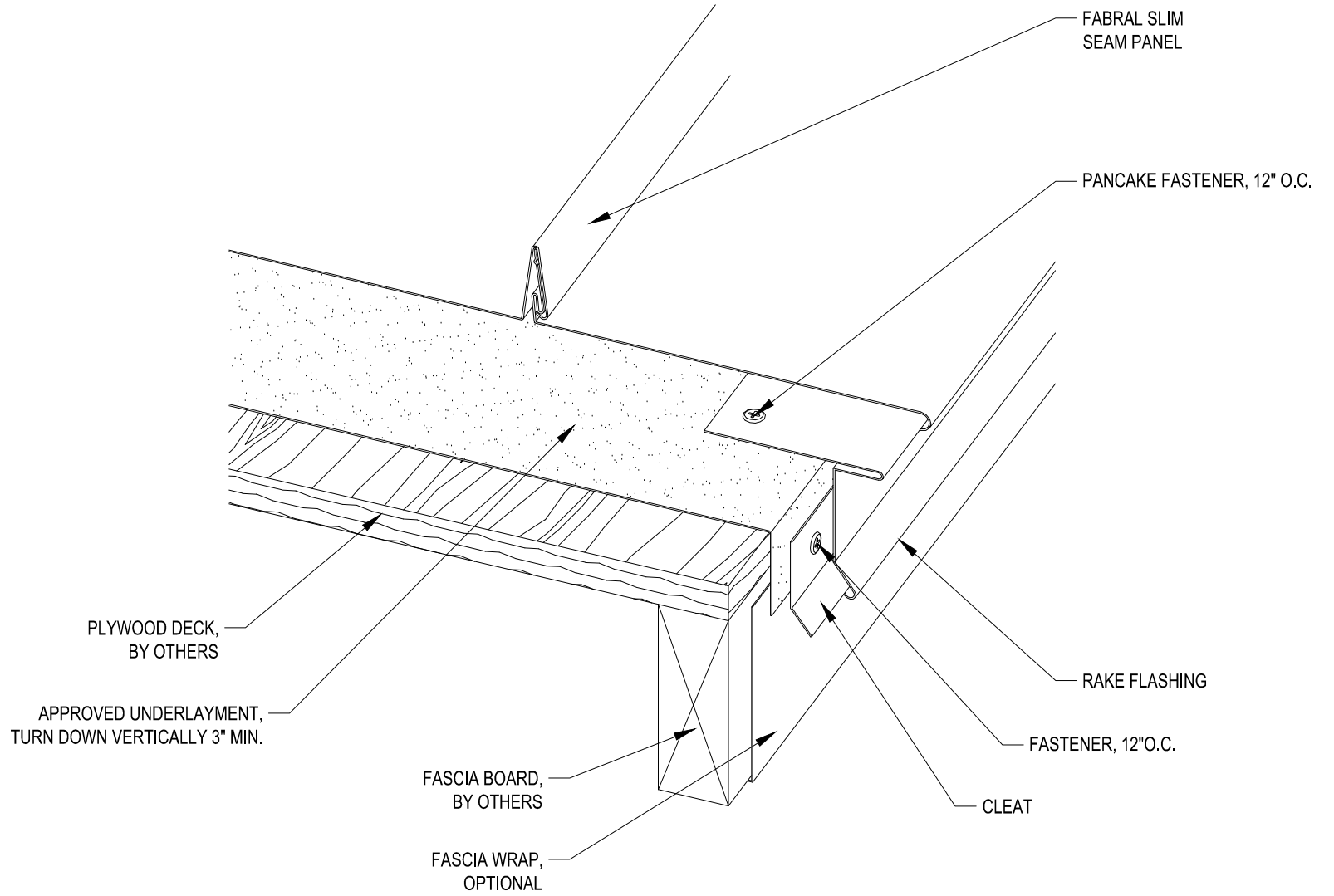
THIS DRAWING IS THE PROPERTY OF FABRAL, INC. THE USE OF THIS DRAWING WITHOUT THE EXPRESS PERMISSION OF FABRAL IS PROHIBITED.

**FABRAL, INC.**  
 3449 Hempland Road  
 Lancaster, PA 17601  
 800-477-2741

**SLIDING GABLE DETAIL (G-2)**

**SLIM SEAM**

Issued:  
 APRIL 2012



**FABRAL**

Project:

Contractor:

THIS DRAWING IS THE PROPERTY OF FABRAL, INC. THE USE OF THIS DRAWING WITHOUT THE EXPRESS PERMISSION OF FABRAL IS PROHIBITED.

**FABRAL, INC.**  
 3449 Hempland Road  
 Lancaster, PA 17601  
 800-477-2741

**SLIDING GABLE DETAIL (G-3)**

**SLIM SEAM**

Issued:  
 APRIL 2012

FASTENER, 16" O.C.

RAKE FLASHING

FABRAL SLIM SEAM PANEL,  
BOX PANEL END

APPROVED SEALANT

FASTENERS, 12" O.C.

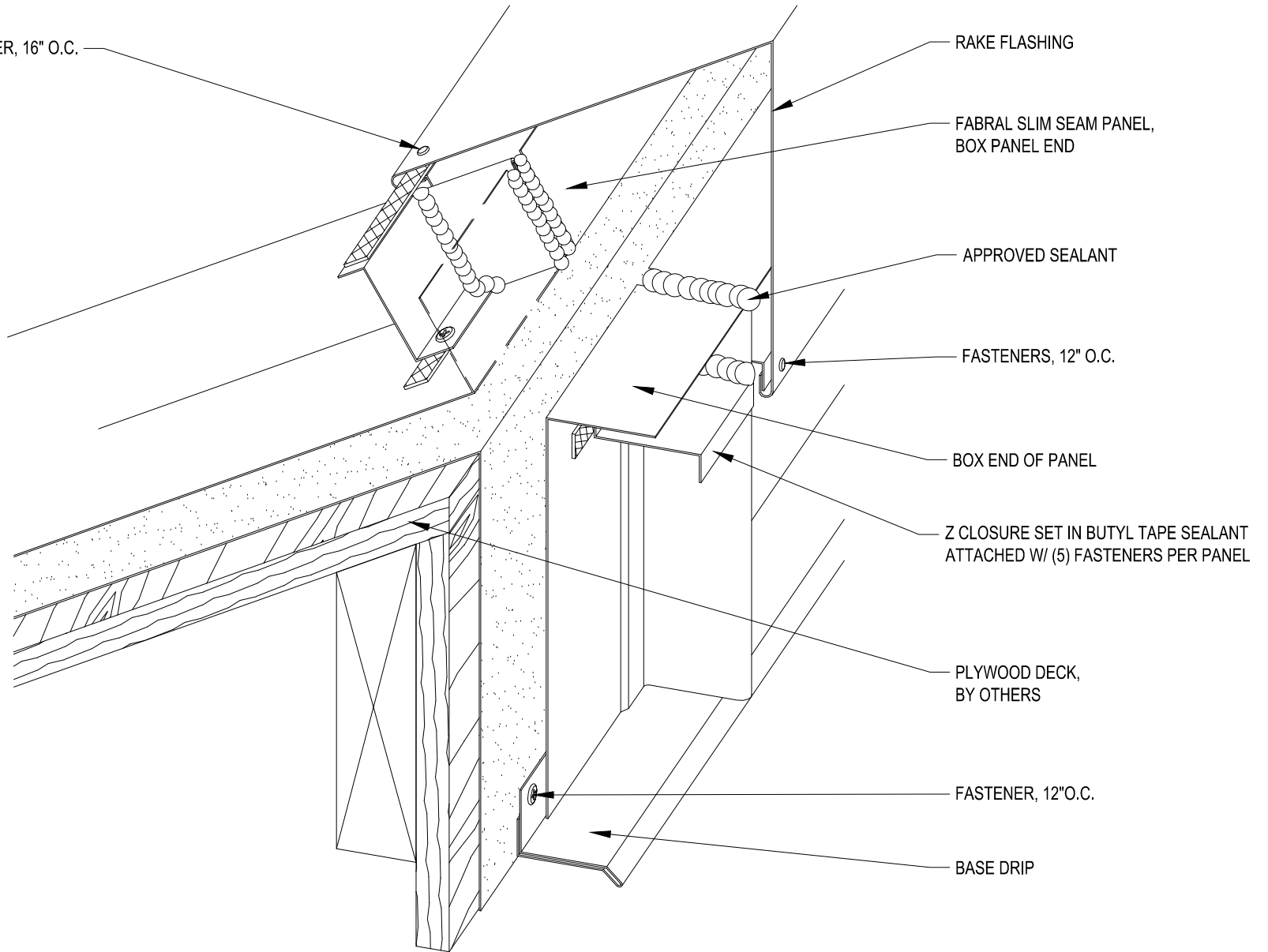
BOX END OF PANEL

Z CLOSURE SET IN BUTYL TAPE SEALANT  
ATTACHED W/ (5) FASTENERS PER PANEL

PLYWOOD DECK,  
BY OTHERS

FASTENER, 12" O.C.

BASE DRIP



**FABRAL**

Project:

Contractor:

THIS DRAWING IS THE  
PROPERTY OF FABRAL,  
INC. THE USE OF THIS  
DRAWING WITHOUT THE  
EXPRESS PERMISSION OF  
FABRAL IS PROHIBITED.

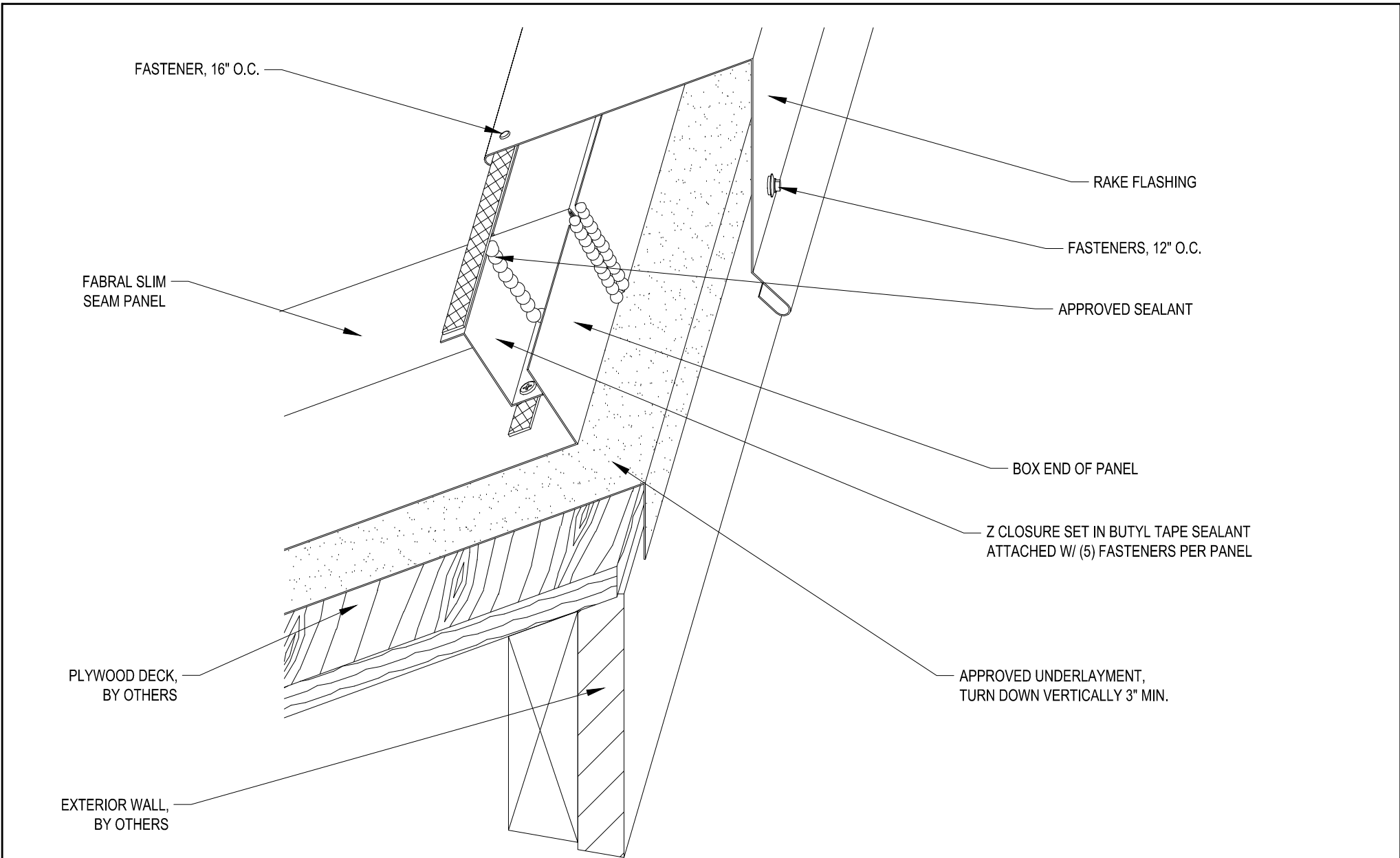
**FABRAL, INC.**  
3449 Hempland Road  
Lancaster, PA 17601  
800-477-2741

**HIGH SIDE EAVE DETAIL (HSE-1)**

**SLIM SEAM**

Issued:

APRIL 2012

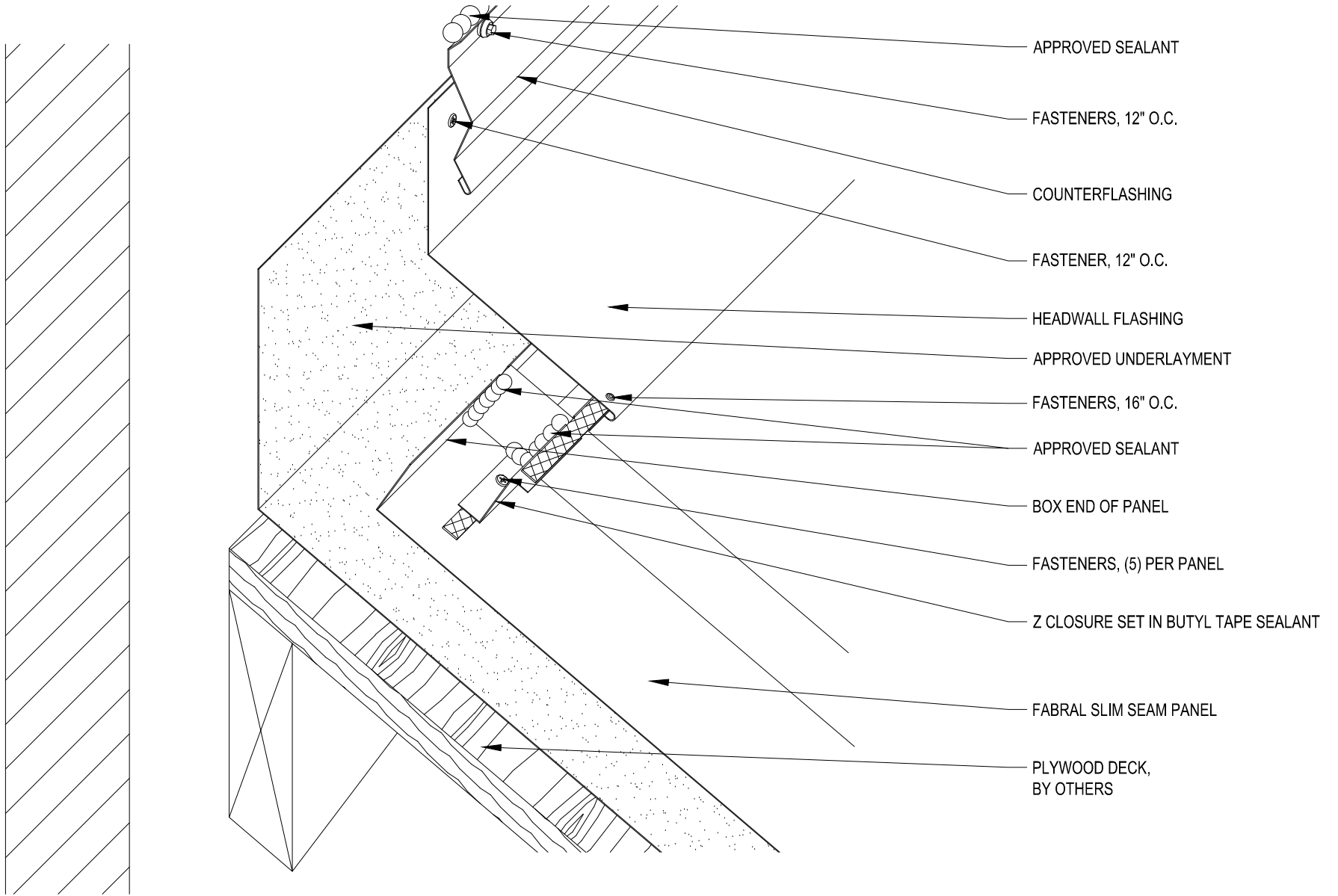


**FABRAL**

Project:  
 Contractor:  
**HIGH SIDE EAVE DETAIL (HSE-2)**

THIS DRAWING IS THE PROPERTY OF FABRAL, INC. THE USE OF THIS DRAWING WITHOUT THE EXPRESS PERMISSION OF FABRAL IS PROHIBITED.

**FABRAL, INC.**  
 3449 Hempland Road  
 Lancaster, PA 17601  
 800-477-2741  
 Issued:  
 APRIL 2012



**FABRAL**

Project:

Contractor:

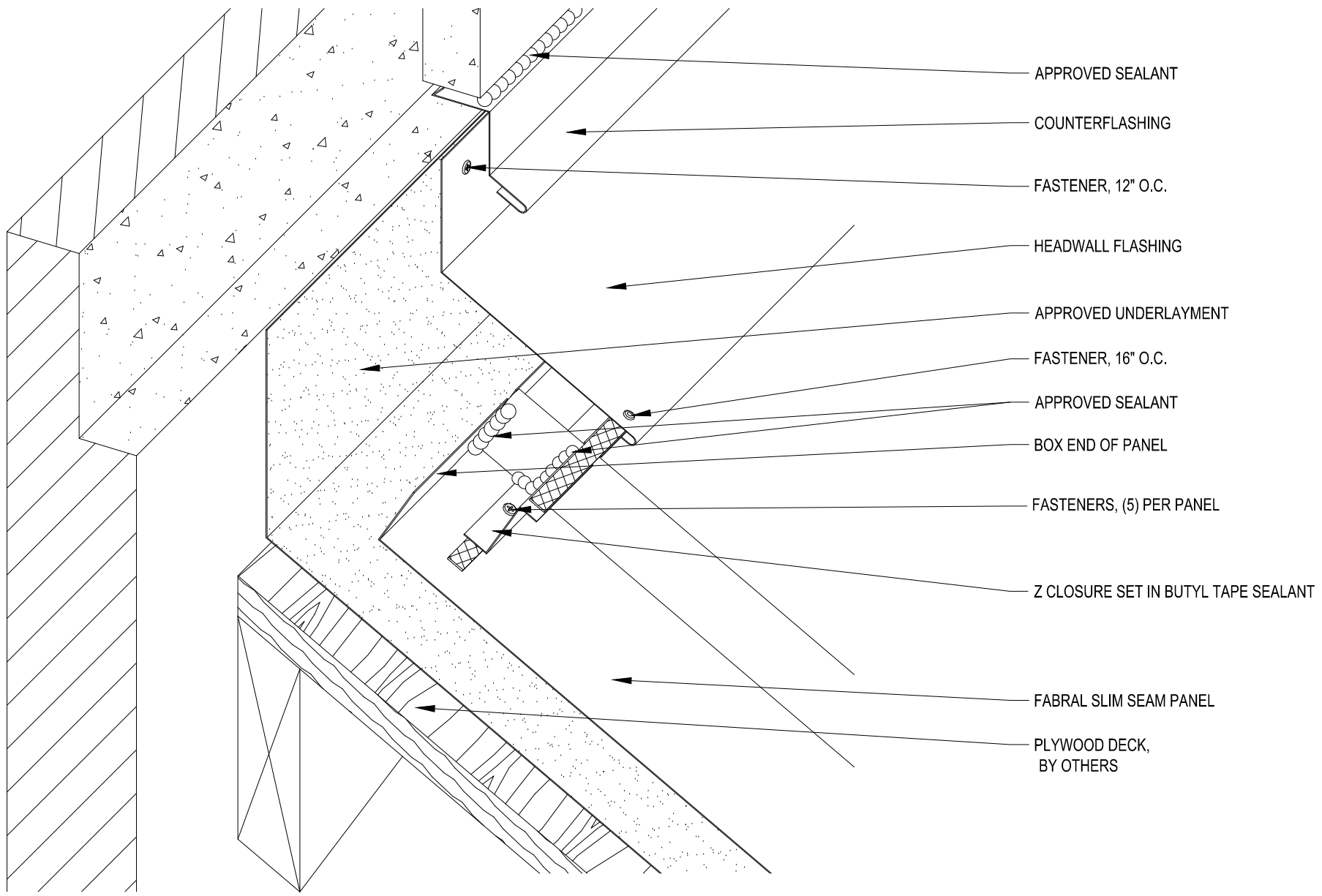
THIS DRAWING IS THE PROPERTY OF FABRAL, INC. THE USE OF THIS DRAWING WITHOUT THE EXPRESS PERMISSION OF FABRAL IS PROHIBITED.

**FABRAL, INC.**  
 3449 Hempland Road  
 Lancaster, PA 17601  
 800-477-2741

**HEADWALL DETAIL (HW-1)**

**SLIM SEAM**

Issued:  
 APRIL 2012



- APPROVED SEALANT
- COUNTERFLASHING
- FASTENER, 12" O.C.
- HEADWALL FLASHING
- APPROVED UNDERLAYMENT
- FASTENER, 16" O.C.
- APPROVED SEALANT
- BOX END OF PANEL
- FASTENERS, (5) PER PANEL
- Z CLOSURE SET IN BUTYL TAPE SEALANT
- FABRAL SLIM SEAM PANEL
- PLYWOOD DECK, BY OTHERS

**FABRAL**

Project:

Contractor:

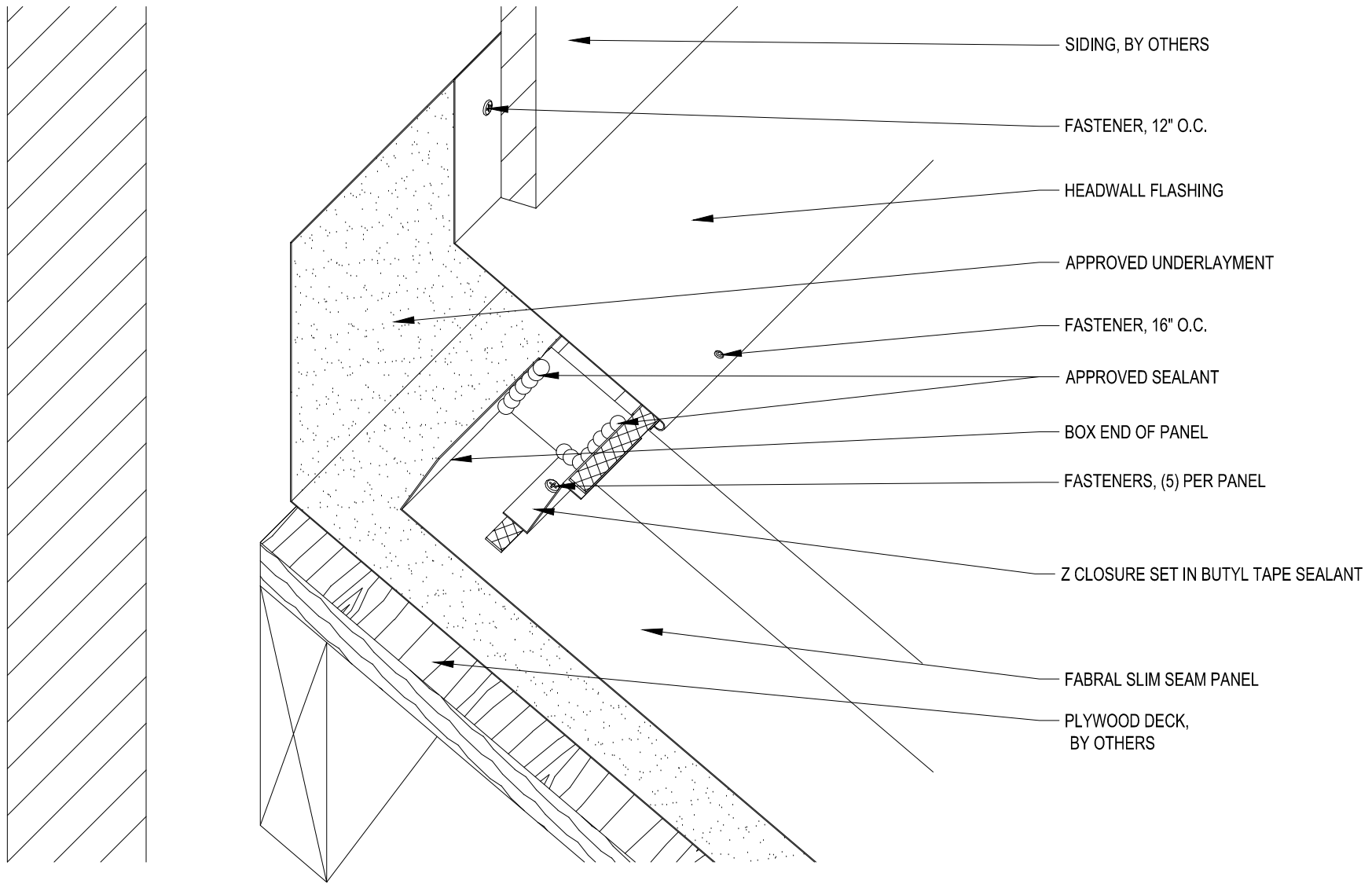
THIS DRAWING IS THE PROPERTY OF FABRAL, INC. THE USE OF THIS DRAWING WITHOUT THE EXPRESS PERMISSION OF FABRAL IS PROHIBITED.

**FABRAL, INC.**  
 3449 Hempland Road  
 Lancaster, PA 17601  
 800-477-2741

**HEADWALL DETAIL (HW-2)**

**SLIM SEAM**

Issued:  
 APRIL 2012



**FABRAL**

Project:

Contractor:

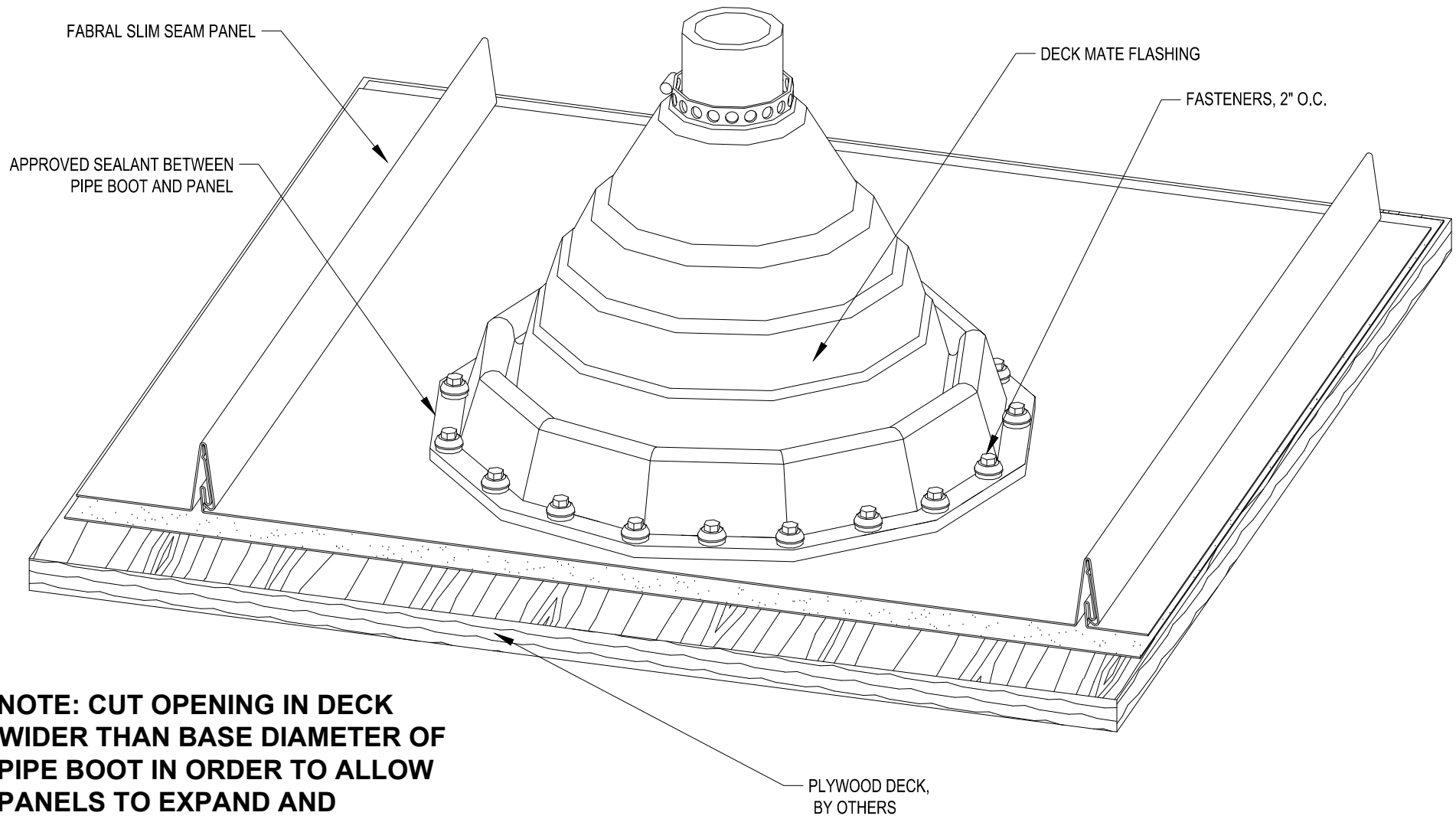
THIS DRAWING IS THE PROPERTY OF FABRAL, INC. THE USE OF THIS DRAWING WITHOUT THE EXPRESS PERMISSION OF FABRAL IS PROHIBITED.

**FABRAL, INC.**  
 3449 Hempland Road  
 Lancaster, PA 17601  
 800-477-2741

**HEADWALL DETAIL (HW-3)**

**SLIM SEAM**

Issued:  
 APRIL 2012



**NOTE: CUT OPENING IN DECK  
WIDER THAN BASE DIAMETER OF  
PIPE BOOT IN ORDER TO ALLOW  
PANELS TO EXPAND AND  
CONTRACT.**

**FABRAL**

Project:

Contractor:

THIS DRAWING IS THE  
PROPERTY OF FABRAL,  
INC. THE USE OF THIS  
DRAWING WITHOUT THE  
EXPRESS PERMISSION OF  
FABRAL IS PROHIBITED.

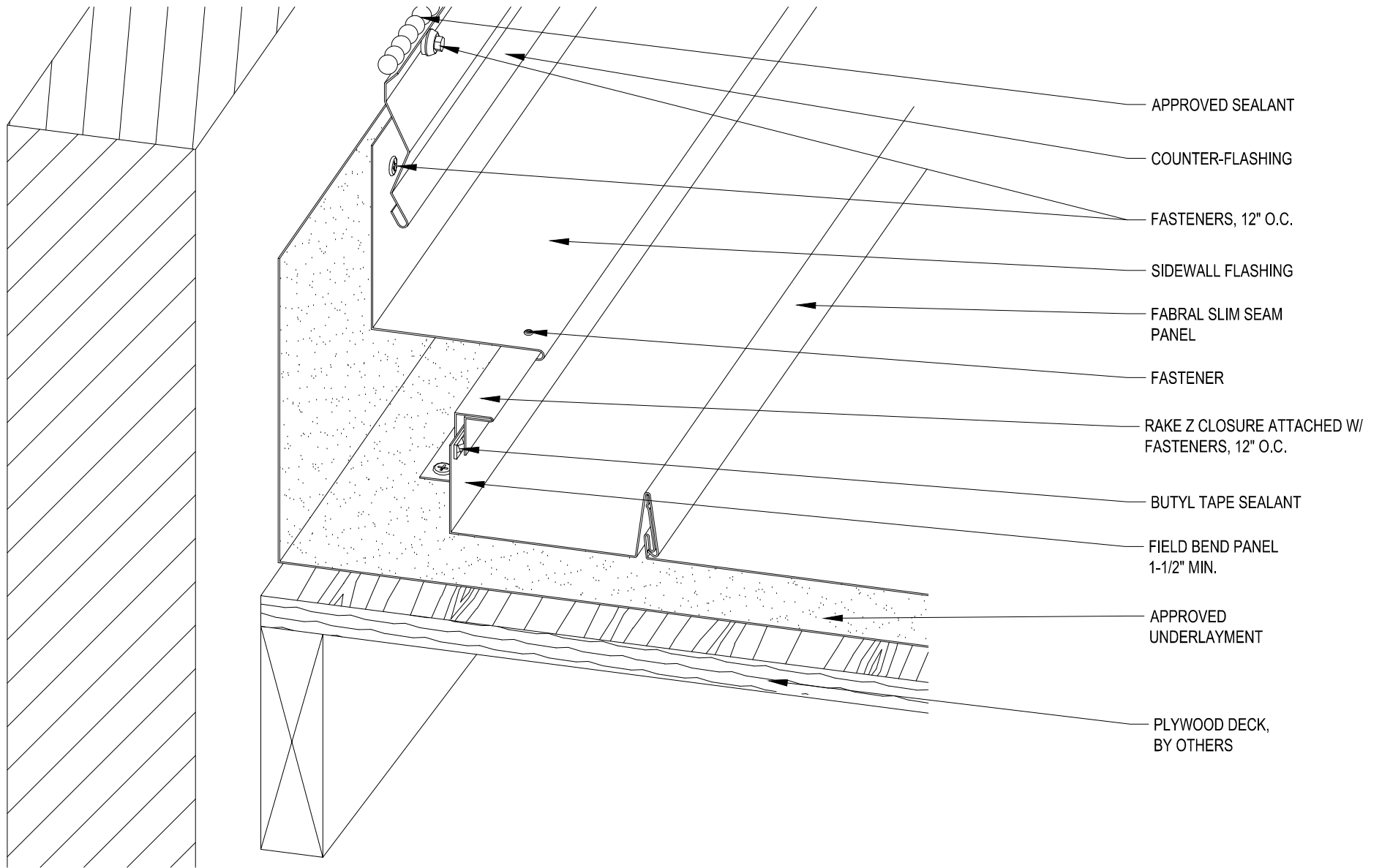
**FABRAL, INC.**  
3449 Hempland Road  
Lancaster, PA 17601  
800-477-2741

**PENETRATION DETAIL (P-1)**

**SLIM SEAM**

Issued:  
APRIL 2012





**FABRAL**

Project:

Contractor:

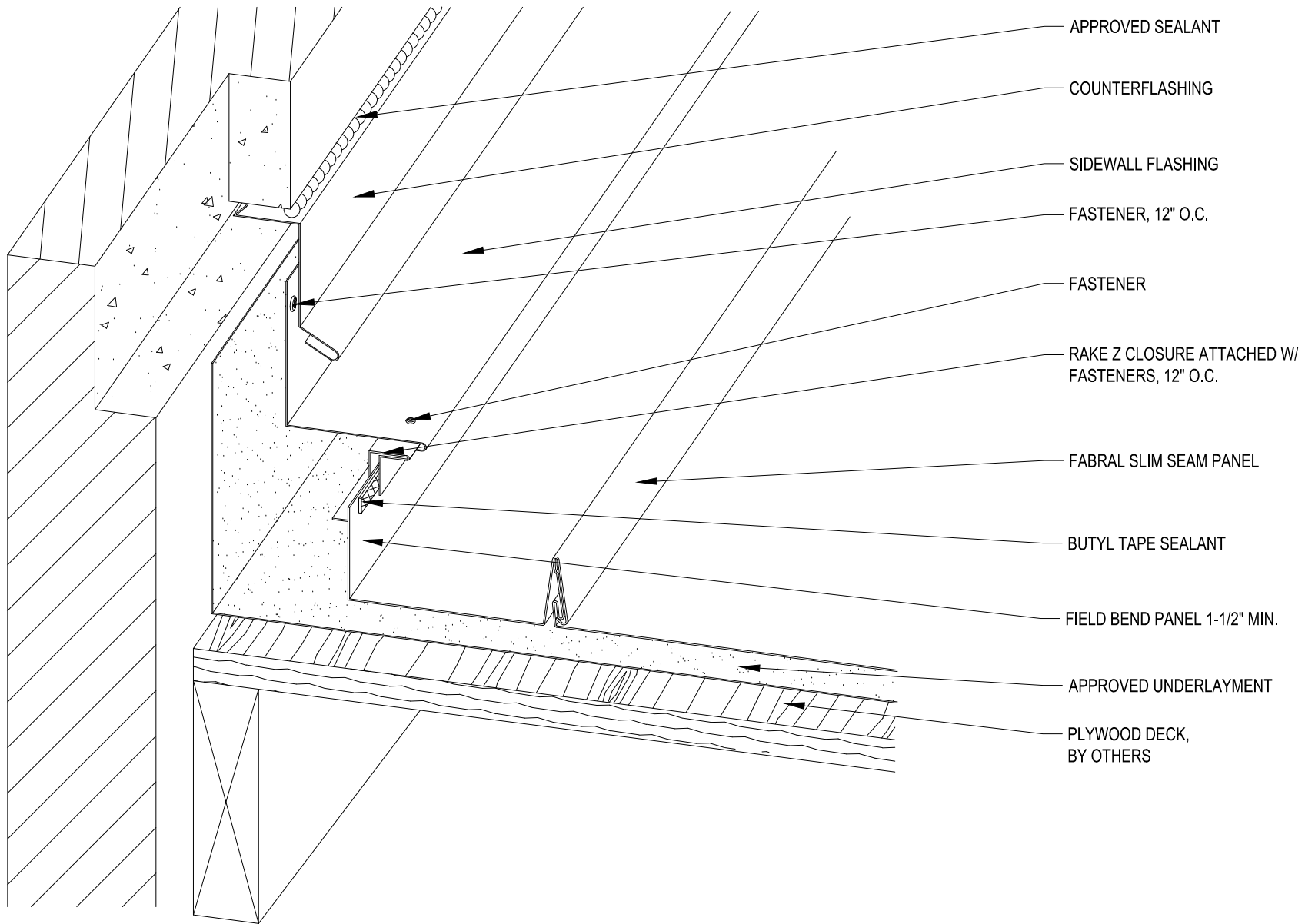
THIS DRAWING IS THE PROPERTY OF FABRAL, INC. THE USE OF THIS DRAWING WITHOUT THE EXPRESS PERMISSION OF FABRAL IS PROHIBITED.

**FABRAL, INC.**  
 3449 Hempland Road  
 Lancaster, PA 17601  
 800-477-2741

**SIDEWALL DETAIL (SW-1)**

**SLIM SEAM**

Issued:  
 APRIL 2012



**FABRAL**

Project:  
Contractor:

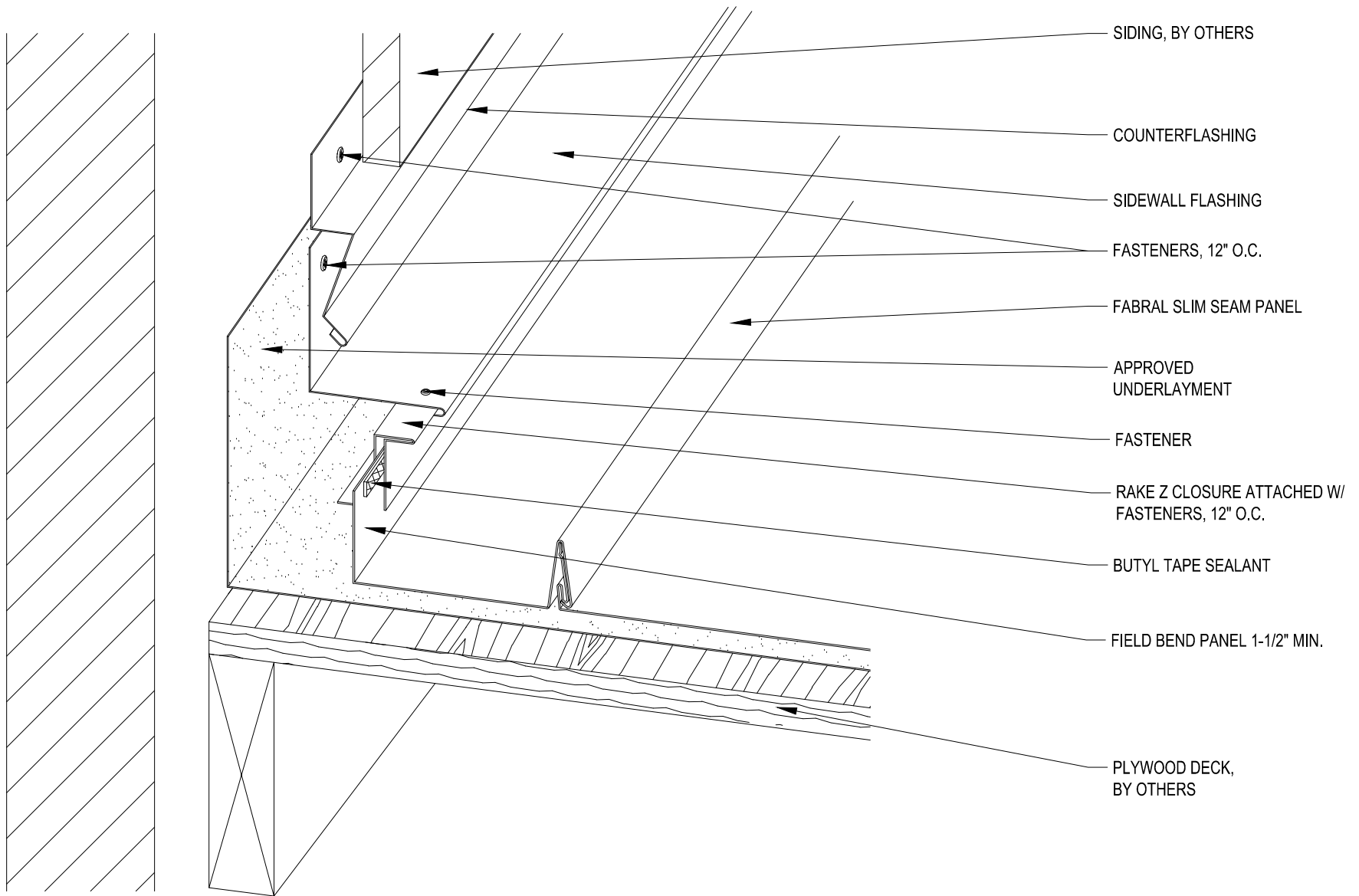
THIS DRAWING IS THE PROPERTY OF FABRAL, INC. THE USE OF THIS DRAWING WITHOUT THE EXPRESS PERMISSION OF FABRAL IS PROHIBITED.

**FABRAL, INC.**  
3449 Hempland Road  
Lancaster, PA 17601  
800-477-2741

**SIDEWALL DETAIL (SW-2)**

**SLIM SEAM**

Issued:  
APRIL 2012



**FABRAL**

Project:

Contractor:

THIS DRAWING IS THE PROPERTY OF FABRAL, INC. THE USE OF THIS DRAWING WITHOUT THE EXPRESS PERMISSION OF FABRAL IS PROHIBITED.

**FABRAL, INC.**  
 3449 Hempland Road  
 Lancaster, PA 17601  
 800-477-2741

**SIDEWALL DETAIL (SW-3)**

**SLIM SEAM**

Issued:  
 APRIL 2012

APPROVED  
UNDERLAYMENT, TURN  
DOWN VERTICALLY 3" MIN.

PLYWOOD DECK,  
BY OTHERS

FABRAL SLIM  
SEAM PANEL

CAULK BETWEEN WEBS

BUTYL TAPE SEALANT (ONLY  
REQ'D FOR SLOPES 2:12 OR LESS)

PANCAKE FASTENER, 12" O.C.

EAVE FLASHING

FASTENER, 12" O.C.

CLEAT

FASCIA WRAP,  
OPTIONAL

FASCIA BOARD,  
BY OTHERS

**FABRAL**

Project:

Contractor:

THIS DRAWING IS THE  
PROPERTY OF FABRAL,  
INC. THE USE OF THIS  
DRAWING WITHOUT THE  
EXPRESS PERMISSION OF  
FABRAL IS PROHIBITED.

**FABRAL, INC.**  
3449 Hempland Road  
Lancaster, PA 17601  
800-477-2741

**FIXED EAVE DETAIL (FE-1)**

**SLIM SEAM**

Issued:

APRIL 2012

APPROVED  
UNDERLAYMENT, TURN  
DOWN VERTICALLY 3" MIN.

PLYWOOD DECK,  
BY OTHERS

FABRAL SLIM  
SEAM PANEL

CAULK BETWEEN WEBS

BUTYL TAPE SEALANT

PANCAKE FASTENER, 12" O.C.

BUTYL TAPE SEALANT

EAVE FLASHING

FASTENER, 12" O.C.

CLEAT

FASCIA WRAP,  
OPTIONAL

FASCIA BOARD,  
BY OTHERS

**FABRAL**

Project:

Contractor:

THIS DRAWING IS THE  
PROPERTY OF FABRAL,  
INC. THE USE OF THIS  
DRAWING WITHOUT THE  
EXPRESS PERMISSION OF  
FABRAL IS PROHIBITED.

**FABRAL, INC.**

3449 Hempland Road

Lancaster, PA 17601

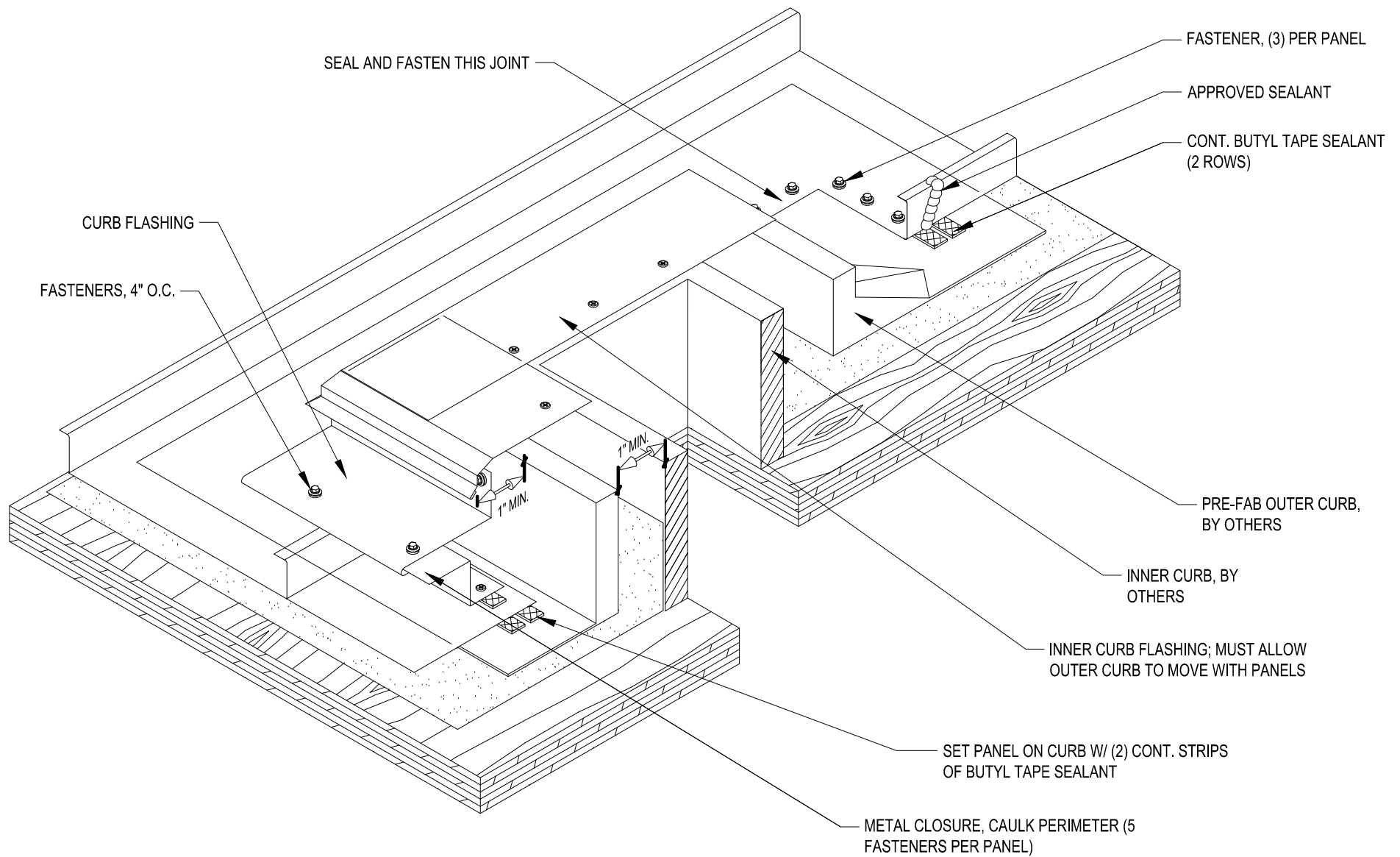
800-477-2741

**SLIDING EAVE DETAIL (E-2)**

**SLIM SEAM**

Issued:

APRIL 2012



**FABRAL**

Project:

Contractor:

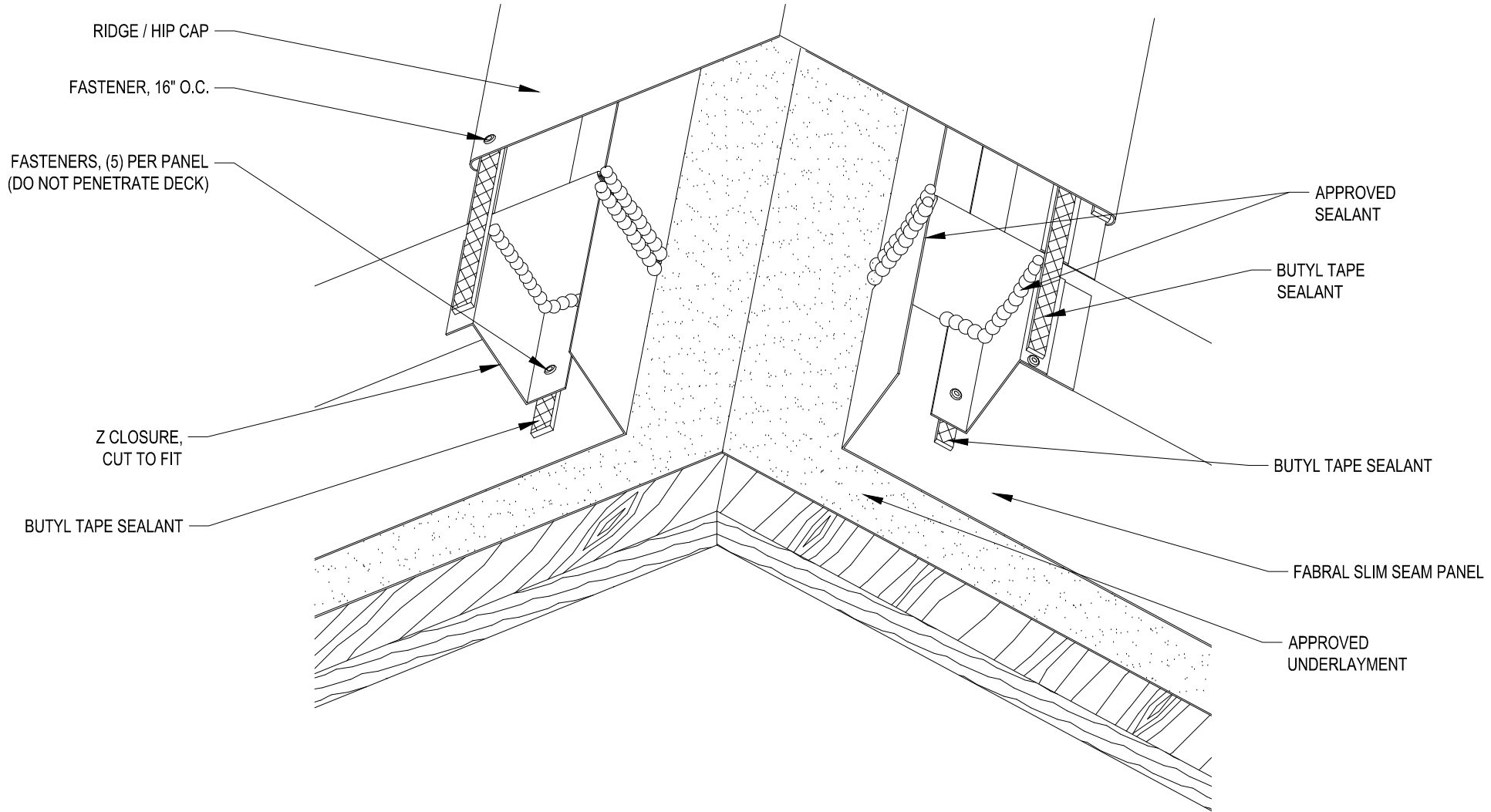
THIS DRAWING IS THE PROPERTY OF FABRAL, INC. THE USE OF THIS DRAWING WITHOUT THE EXPRESS PERMISSION OF FABRAL IS PROHIBITED.

**FABRAL, INC.**  
 3449 Hempland Road  
 Lancaster, PA 17601  
 800-477-2741

**CURB DETAIL (CB-1)**

**SLIM SEAM**

Issued:  
 APRIL 2012



**FABRAL**

Project:
Contractor:
<b>SLIDING HIP/RIDGE DETAIL (HR-2)</b>

THIS DRAWING IS THE PROPERTY OF FABRAL, INC. THE USE OF THIS DRAWING WITHOUT THE EXPRESS PERMISSION OF FABRAL IS PROHIBITED.

<p><b>FABRAL, INC.</b>          3449 Hempland Road          Lancaster, PA 17601          800-477-2741</p>	<p>Issued:          APRIL 2012</p>
<b>SLIM SEAM</b>	

APPROVED  
UNDERLAYMENT, TURN  
DOWN VERTICALLY 3" MIN.

FABRAL SLIM  
SEAM PANEL

PLYWOOD DECK,  
BY OTHERS

CAULK BETWEEN WEBS

BUTYL TAPE SEALANT (ONLY  
REQ'D FOR SLOPES 2:12 OR LESS)

PANCAKE FASTENER, 12" O.C.

EAVE FLASHING

FASTENER, 12" O.C.

CLEAT

FASCIA WRAP,  
OPTIONAL

FASCIA BOARD,  
BY OTHERS

**FABRAL**

Project:

Contractor:

THIS DRAWING IS THE  
PROPERTY OF FABRAL,  
INC. THE USE OF THIS  
DRAWING WITHOUT THE  
EXPRESS PERMISSION OF  
FABRAL IS PROHIBITED.

**FABRAL, INC.**  
3449 Hempland Road  
Lancaster, PA 17601  
800-477-2741

**FIXED EAVE DETAIL (FE-2)**

**SLIM SEAM**

Issued:

APRIL 2012