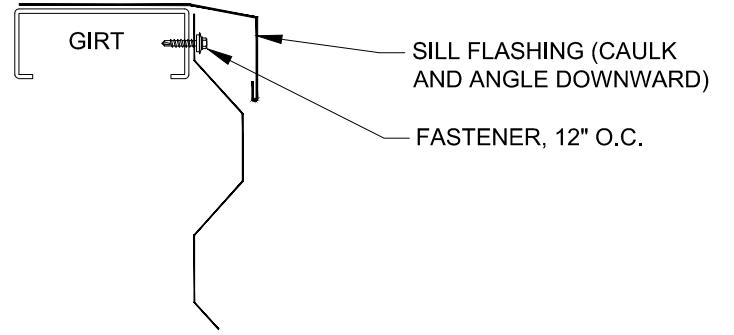
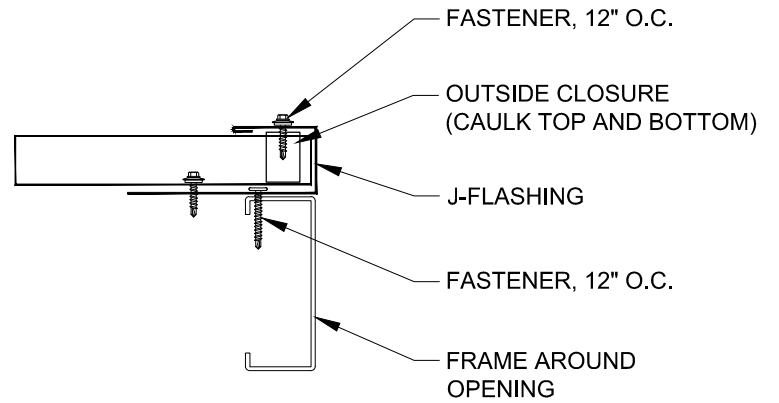
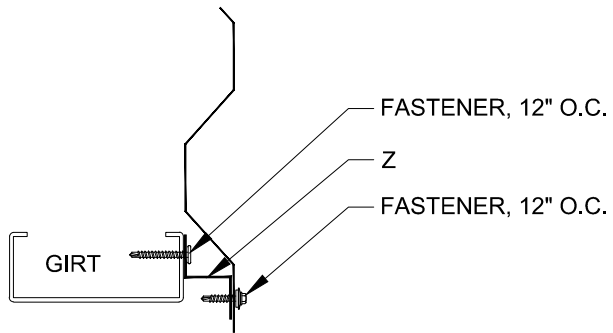


SECTION A-A



SECTION B-B

NOTE:
 IF PANEL "ENDS" ON THE RIB AT THE OPENING FOR SECTIONS A-A OR B-B, ATTACH A "Z" THAT IS AS TALL AS THE PANEL IS DEEP TO THE GIRT. USE THE APPROPRIATE FLASHING AS SHOWN FOR SECTIONS A-A AND B-B. ATTACH THE PANEL TO THE "Z". SEE DETAIL BELOW.



SECTION C-C

FABRAL

Project:

Contractor:

THIS DRAWING IS THE PROPERTY OF FABRAL, INC. THE USE OF THIS DRAWING WITHOUT THE EXPRESS PERMISSION OF FABRAL IS PROHIBITED.

FABRAL, INC.
 3449 Hempland Road
 Lancaster, PA 17601
 800-477-2741

WALL SECTIONS A-A, B-B, C-C

INDUSTRIAL PANEL

Issued:
 APRIL 2012