



## IDEAL OPTION FOR RESIDENTIAL OR RE-ROOFING APPLICATIONS

An ideal option for residential and re-roofing applications, the 1 ½" SSR 150 standing seam panel combines beauty and value. Slender seams add a touch of elegance to the SSR panel while offering protection against the elements. The concealed clip fastening system ensures ease of installation that allows for thermal movement.

### GALVALUME (AZ50) WARRANTY COVERAGE

FILM INTEGRITY	LIFETIME
CHALK & FADE	30 YEARS
PERFORATION	20 YEARS



SCAN FOR COLOR  
AVAILABILITY

RECOMMENDED  
PITCH:

**1:12**  
AND ABOVE

GAUGE:

**24**

- 16" Coverage with 1½" Seam Height
- UL 790 Class A Fire Resistance Rating
- UL 2218 Class 4 Hail Impact Resistance
- UL 580 Class 90 Uplift Test Rating
- Concealed Clip Fastening System Allows for Thermal Movement
- Factory Applied Sealant
- Shadow Lines Standard to Enhance Appearance
- Custom Cut to Lengths from 5' up to 40' \*
- Open Span up to a Maximum 24" on Center Purlins or Furring
- Strippable Film for Protection in Shipping
- To Reduce the Likelihood of Oil Canning, Install an Ethofoam Backer Rod Under the Center of the Panels Prior to Installation

\* Profile configuration, color options, minimum and maximum lengths may vary by region, contact Fabral for availability.



SERVING THE  
INDUSTRY



LOCAL CUSTOMER  
SUPPORT



ENDURING  
WARRANTY



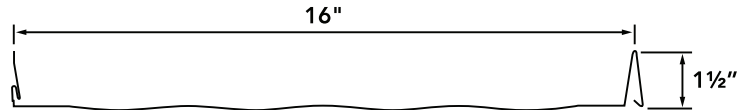
TOTAL SYSTEMS  
SOLUTION



WEATHER  
RESISTANT



## PANEL SPECIFICATIONS

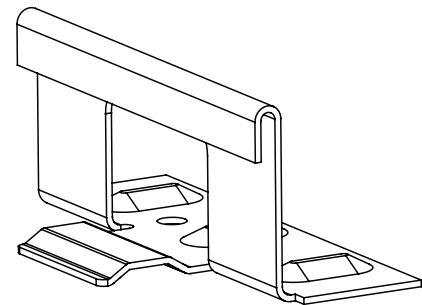


## IDEAL OPTION FOR RESIDENTIAL OR RE-ROOFING APPLICATIONS

An ideal option for residential and re-roofing applications, the 1 1/2" SSR 150 standing seam panel combines beauty and value. Slender seams add a touch of elegance to the SSR panel while offering protection against the elements. The concealed clip fastening system ensures ease of installation that allows for thermal movement.

<b>SCREWS</b>	<b>SOLID</b>	<b>MINIMUM</b>
#10 x 1" Square Drive Pancake Type A	Decking & Weather Barrier	Two Screws Per Clip
<b>PURLINS or PLYWOOD</b>		<b>OSB or ZIP SYSTEM®</b>
Maximum Clip Spacing 24" Center to Center		Maximum Clip Spacing 12" Center to Center

## CLIP



SERVING THE INDUSTRY



LOCAL CUSTOMER SUPPORT



ENDURING WARRANTY



TOTAL SYSTEMS SOLUTION



WEATHER RESISTANT