



Georgia Tech Indoor Football Facility, Atlanta, GA

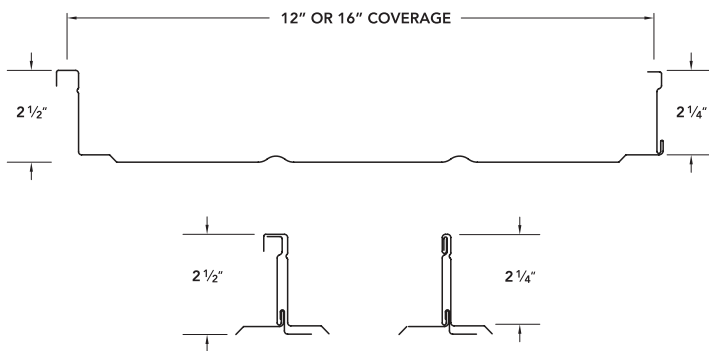


MECHANICALLY SEAMED, STANDING SEAM ROOF PANEL

Fabral® Stand N' Seam® provides the answer to the most demanding roof applications. This high-performance, structural roof system boasts the highest wind uplift resistance of any standing seam panel system. A unique one-piece stainless steel clip allows controlled thermal movement. Continuous length panels can be factory or field-formed, without unsightly end laps.

PANEL SPECIFICATIONS

Available in 19 standard colors.



PRODUCT INSTALLATION

Stand N' Seam® panels are only recommended for siding, fascias, or soffits and should only be installed vertically for wall applications. Install panels that are plumb, level, and straight so they are watertight and without waves or other distortions, allowing for thermal movement considerations. Sealant tape or caulking should be applied at flashing and panel joints to prevent water penetration.

WARRANTY COVERAGE

Fabral® provides a 30-year paint-finish warranty against cracking, chipping, peeling, fading, and chalking, providing confidence in a long-lasting application.

To Ensure the Durability of Stand 'N Seam® Panels:

1. Use proper care.
2. Remove filings, grease, stains, marks, or excess sealants from the roof panel system to prevent staining.
3. Store panels and flashings in a safe, dry environment.



SERVING THE
INDUSTRY



LOCAL CUSTOMER
SUPPORT



ENDURING
WARRANTY



TOTAL SYSTEMS
SOLUTION



WEATHER
RESISTANT



PRODUCT DESCRIPTION

Acceptable Product: Fabral® Stand 'N Seam®

Air Infiltration:	ASTM E1680 ASTM E283	No Air Penetration @ 20 psf 0.006 cfm/ft2 @ 20 psf
Water Penetration:	ASTM E1646 ASTM E331 ASTM E2140	No water leakage @ 20 psf No water leakage @ 20 psf No Leakage of Standing Water
Wind Uplift:	ASTM E1592 UL580	Test results vary depending on gauge and panel thickness. Class 90, #275, 275A, 275B, 319
Class 4 impact:	UL2218	
Class A fire:	UL790	

Miami Dade NOA (Steel & Aluminum)

DESIGN INFORMATION

- **Roof Slope:** Minimum Required - ½ :12
- **Purlin Spacing:** Maximum – 5' On-center
- **Field Curving:** Minimum Radius 150'
- **Panel Length:** Maximum - 47' Minimum - 6'
- **Panel Width:** Maximum - 16" Minimum - 12"
- Field Forming Available up to 300' (16' Panel Only)

WIND UPLIFT LOAD TABLE (PSF)

SUBSTRATE	SPAN	2'-6"	3'-0"	3'-6"	4'-0"	4'-6"	5'-0"
24 ga. Steel	16"	96	90	85	80	75	70
22 ga. Steel	16"	121	114	107	101	94	88
.032" alum.	16"	67	63	59	55	51	48
.040" alum.	16"	82	79	76	73	70	67



SERVING THE
INDUSTRY



LOCAL CUSTOMER
SUPPORT



ENDURING
WARRANTY



TOTAL SYSTEMS
SOLUTION



WEATHER
RESISTANT