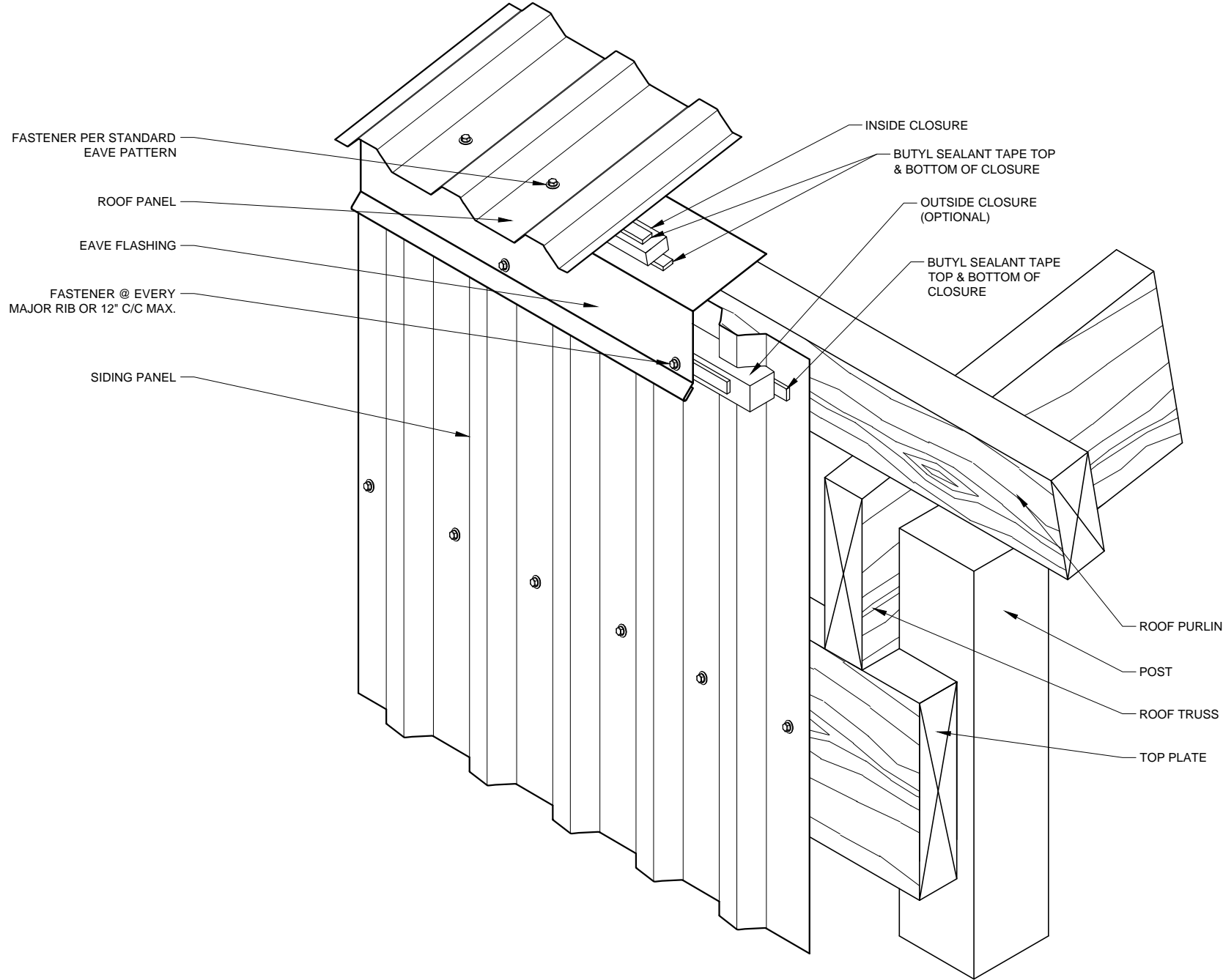
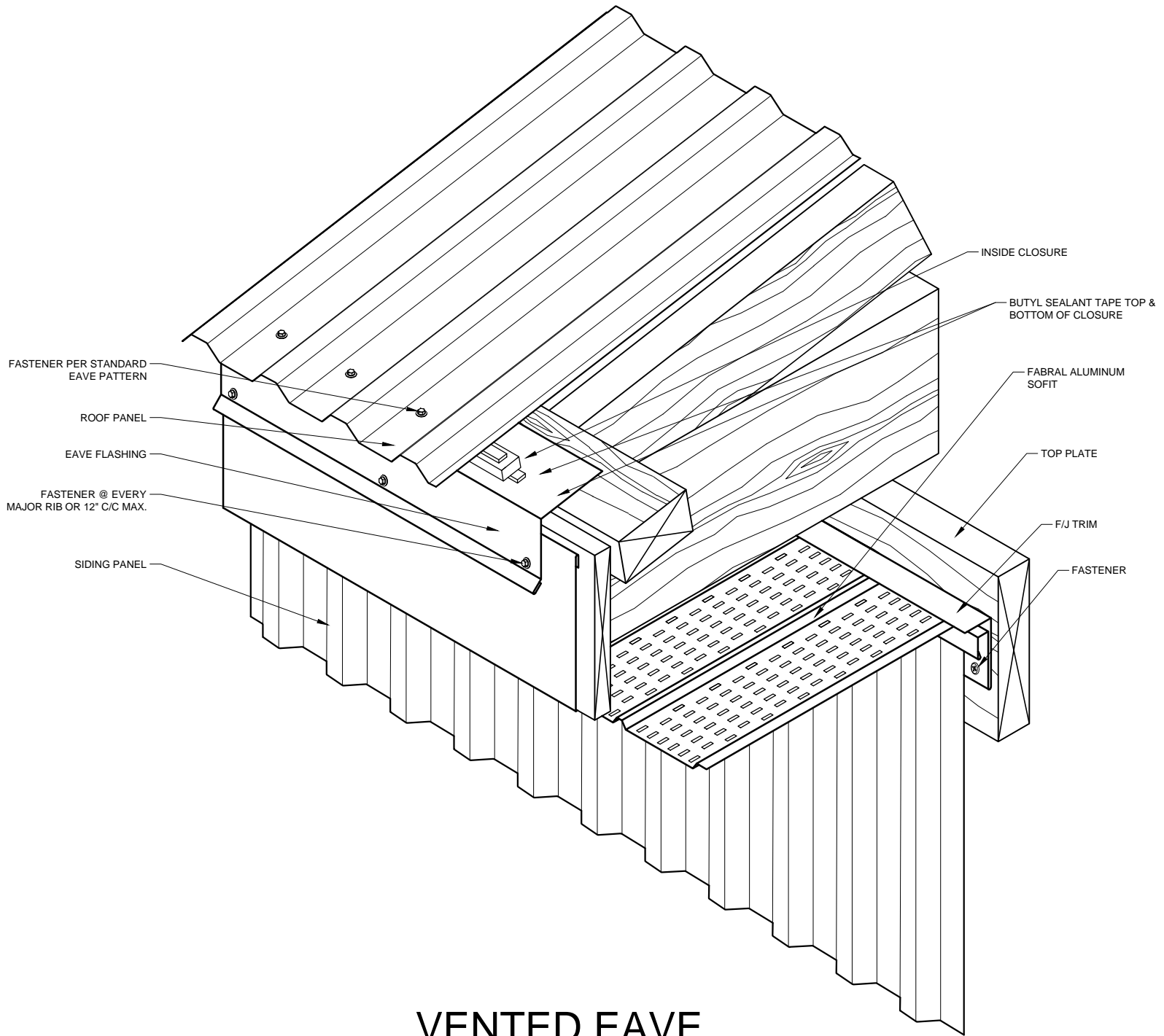


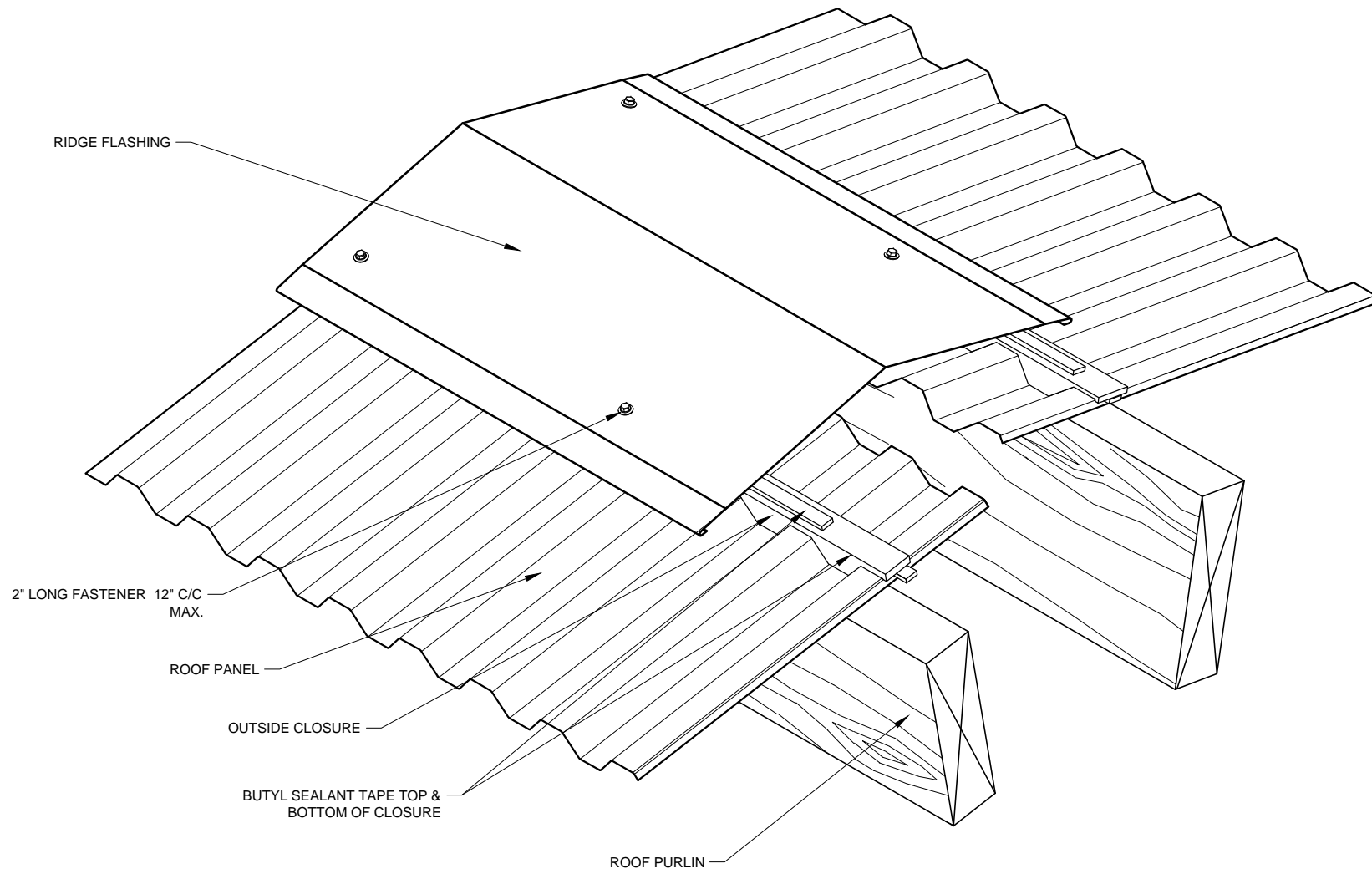
VENTED GABLE DETAIL



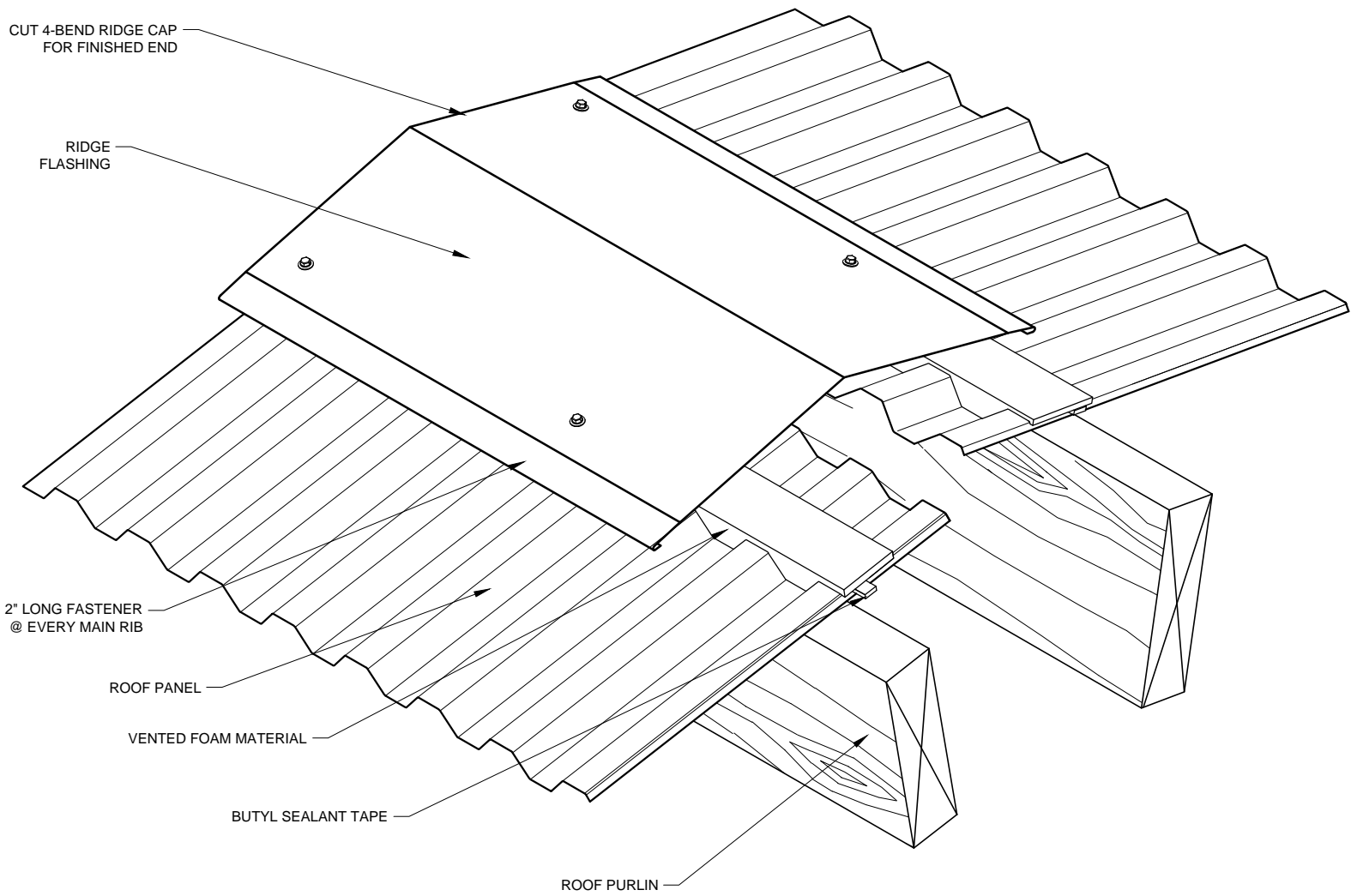
EAVE



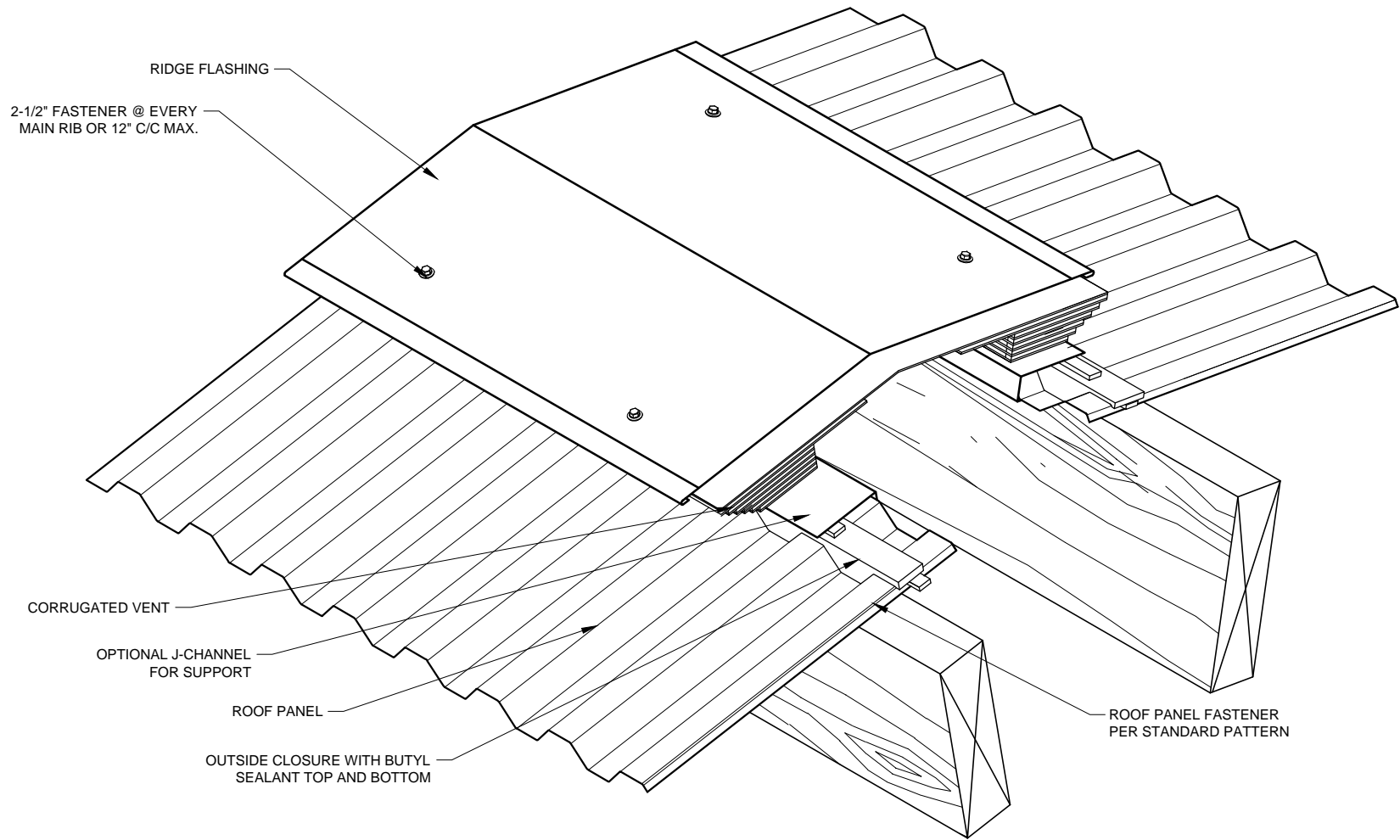
VENTED EAVE



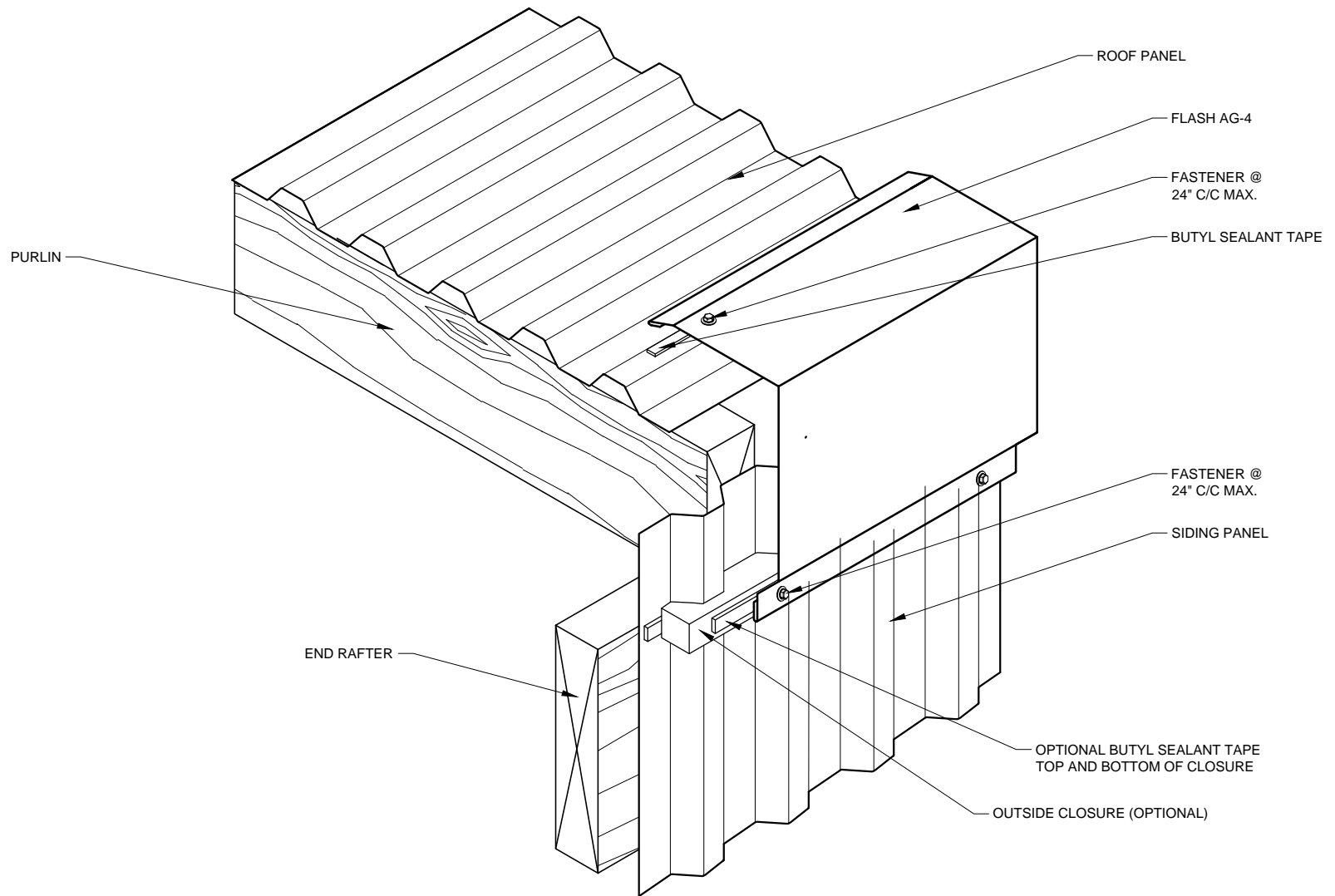
RIDGE/PEAK - NON VENTED



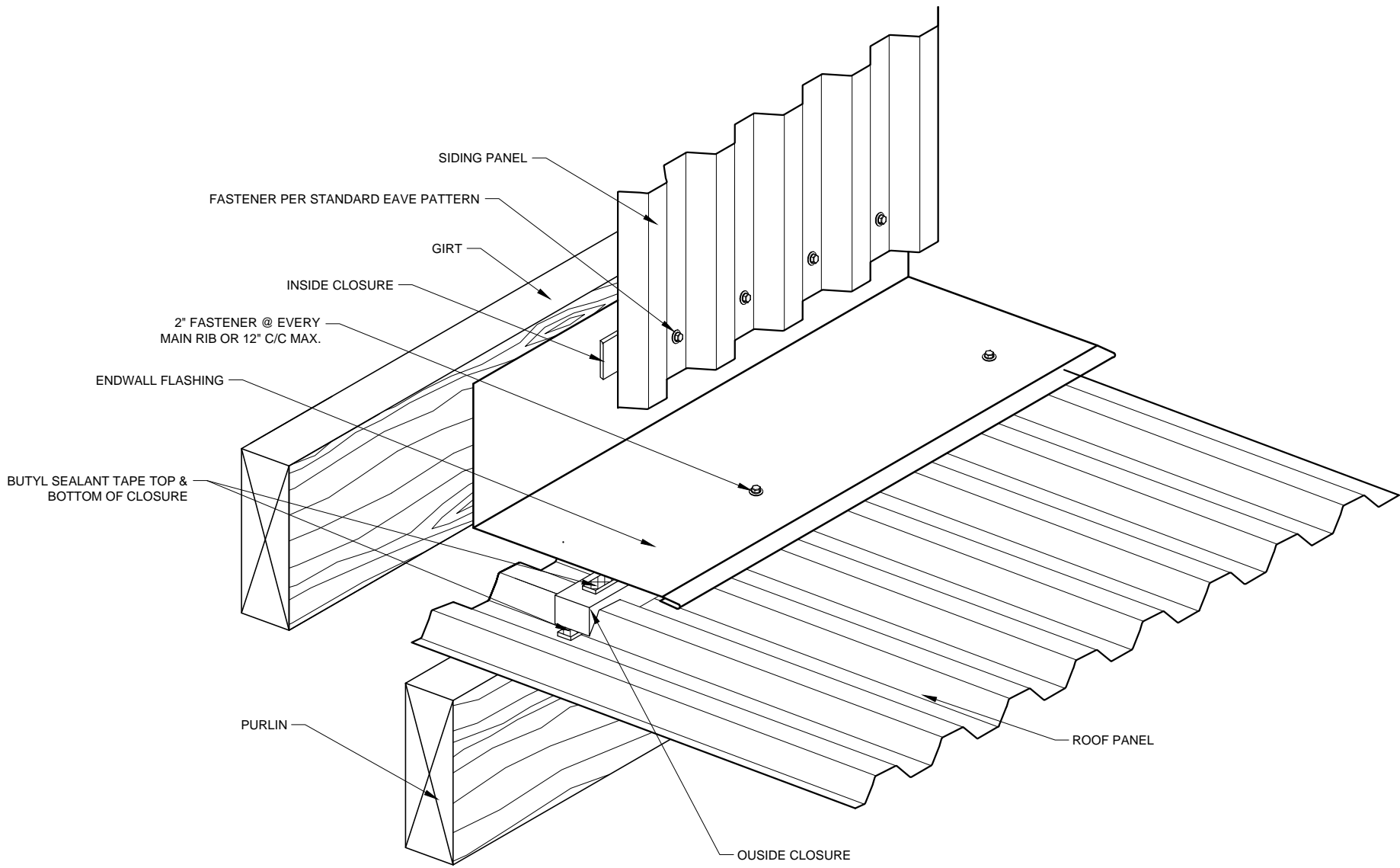
PROFILE VENTED RIDGE



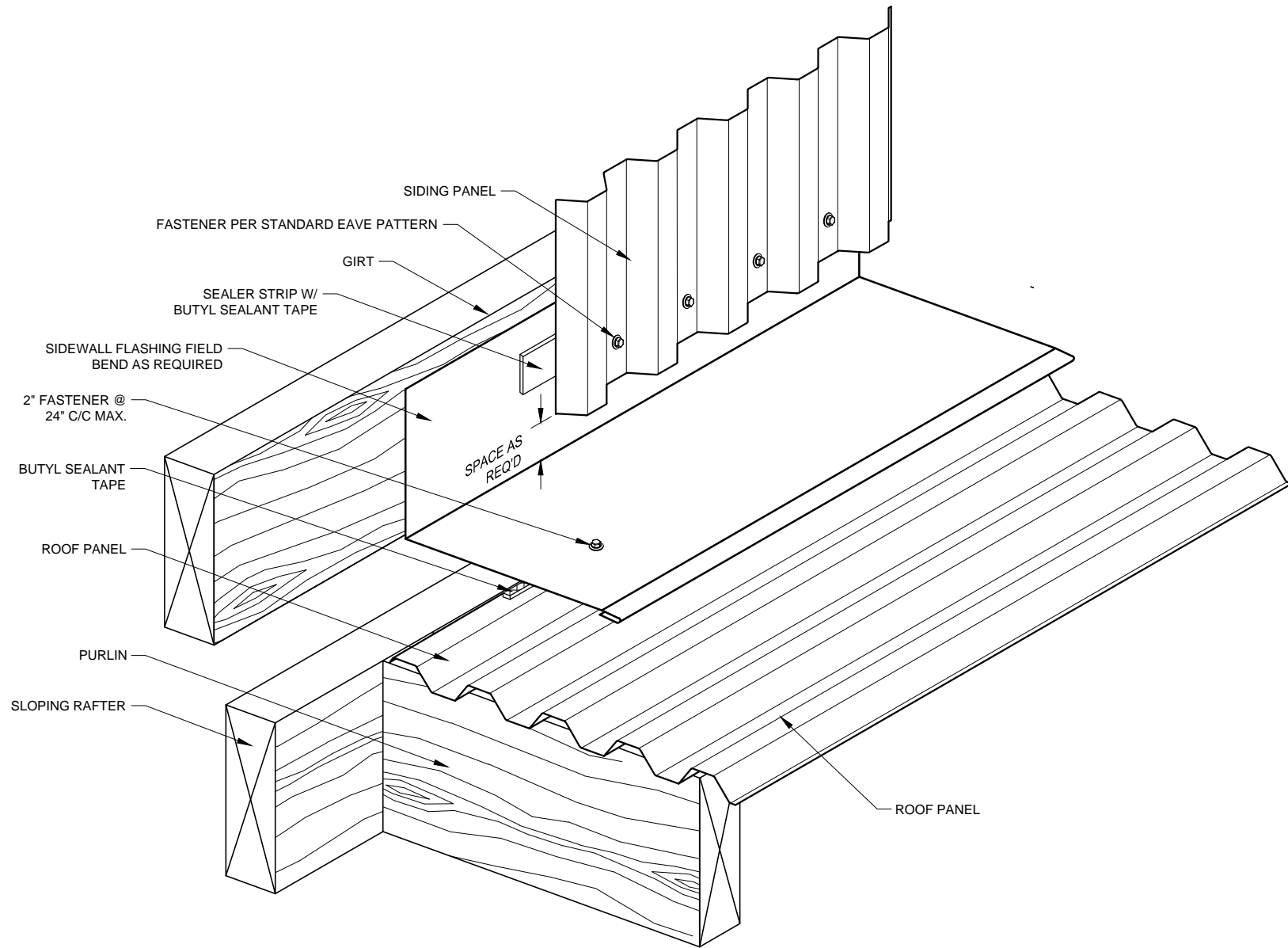
ALT. VENTED RIDGE



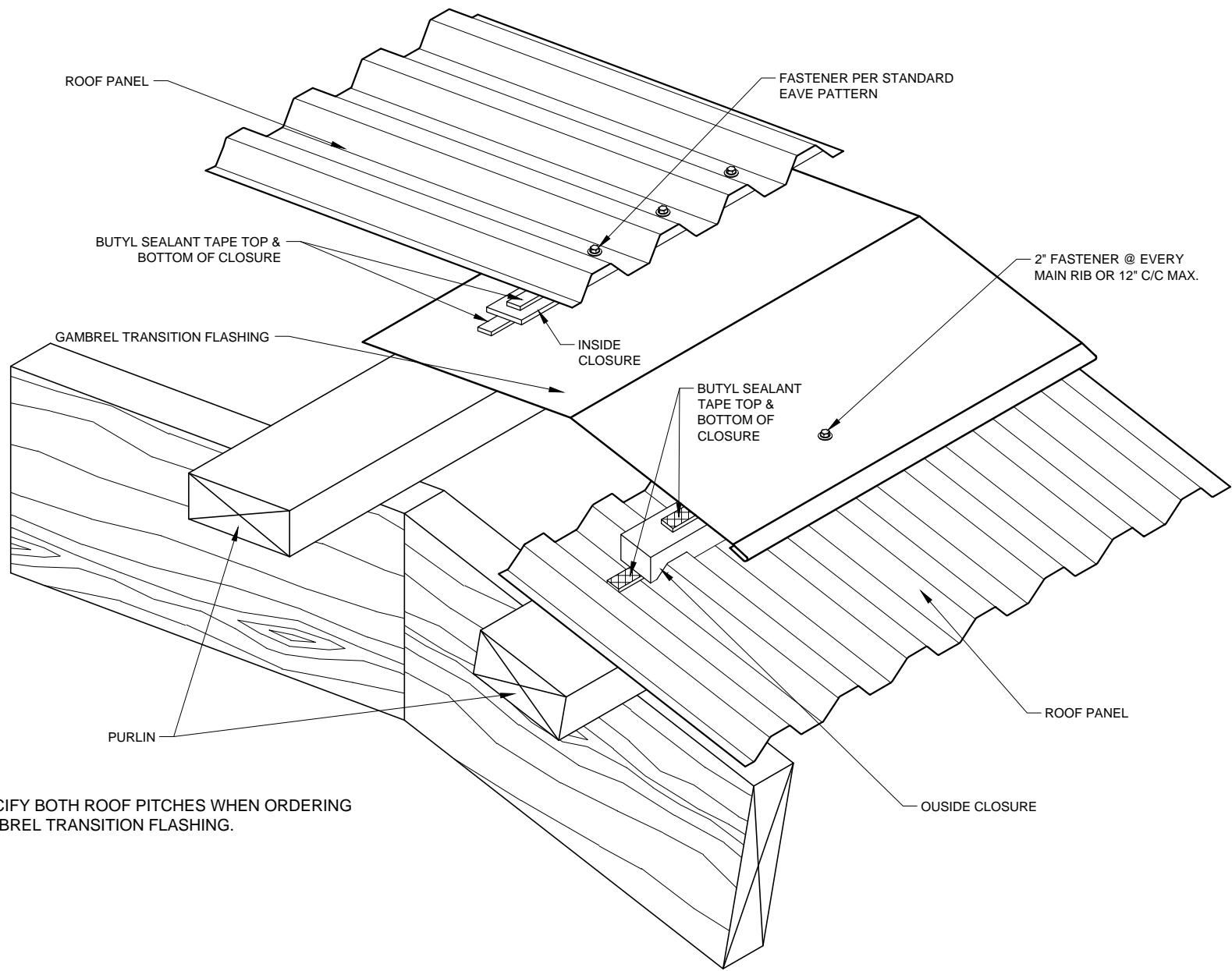
GABLE



ENDWALL

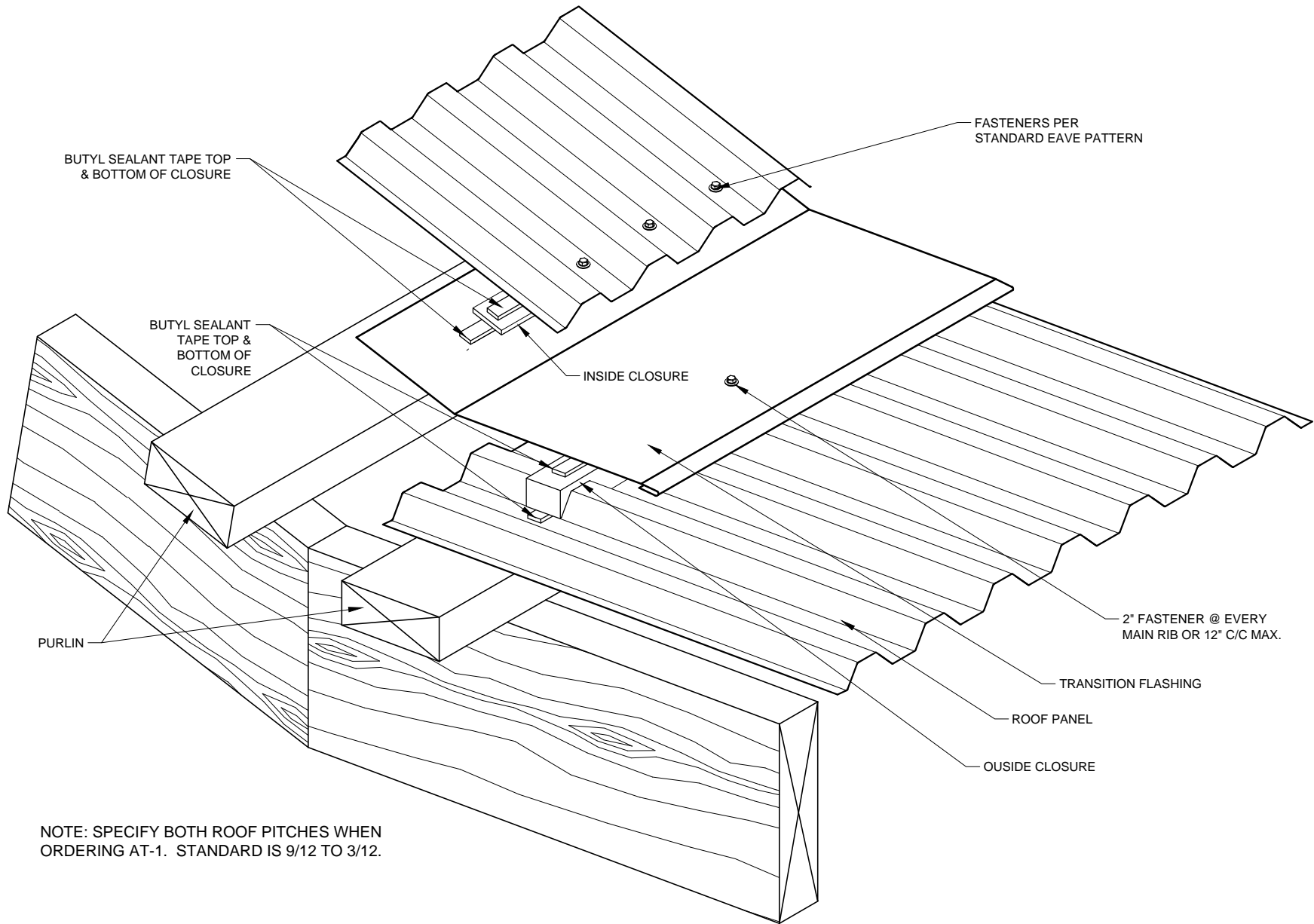


SIDEWALL



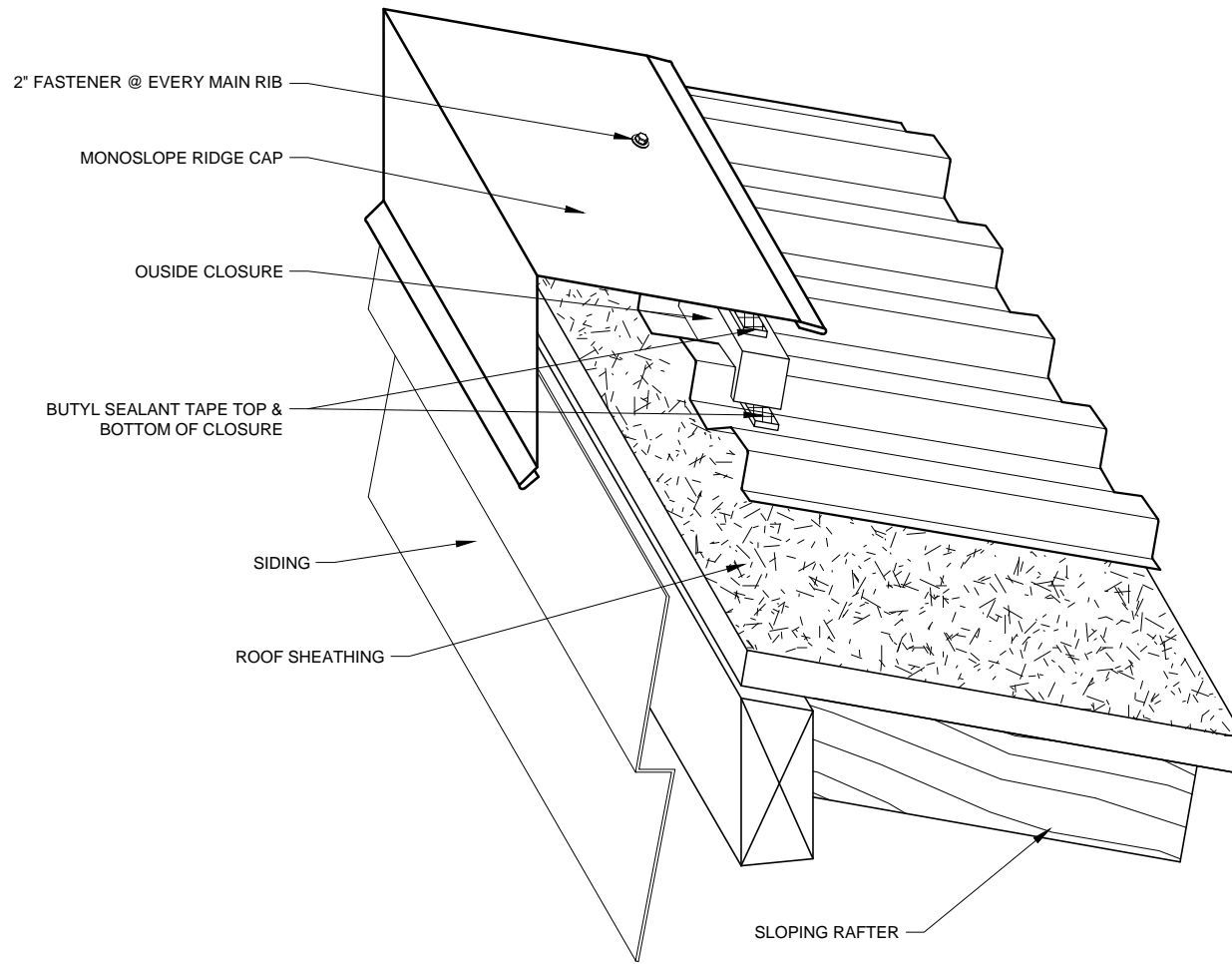
NOTE: SPECIFY BOTH ROOF PITCHES WHEN ORDERING GAMBREL TRANSITION FLASHING.

GAMBREL

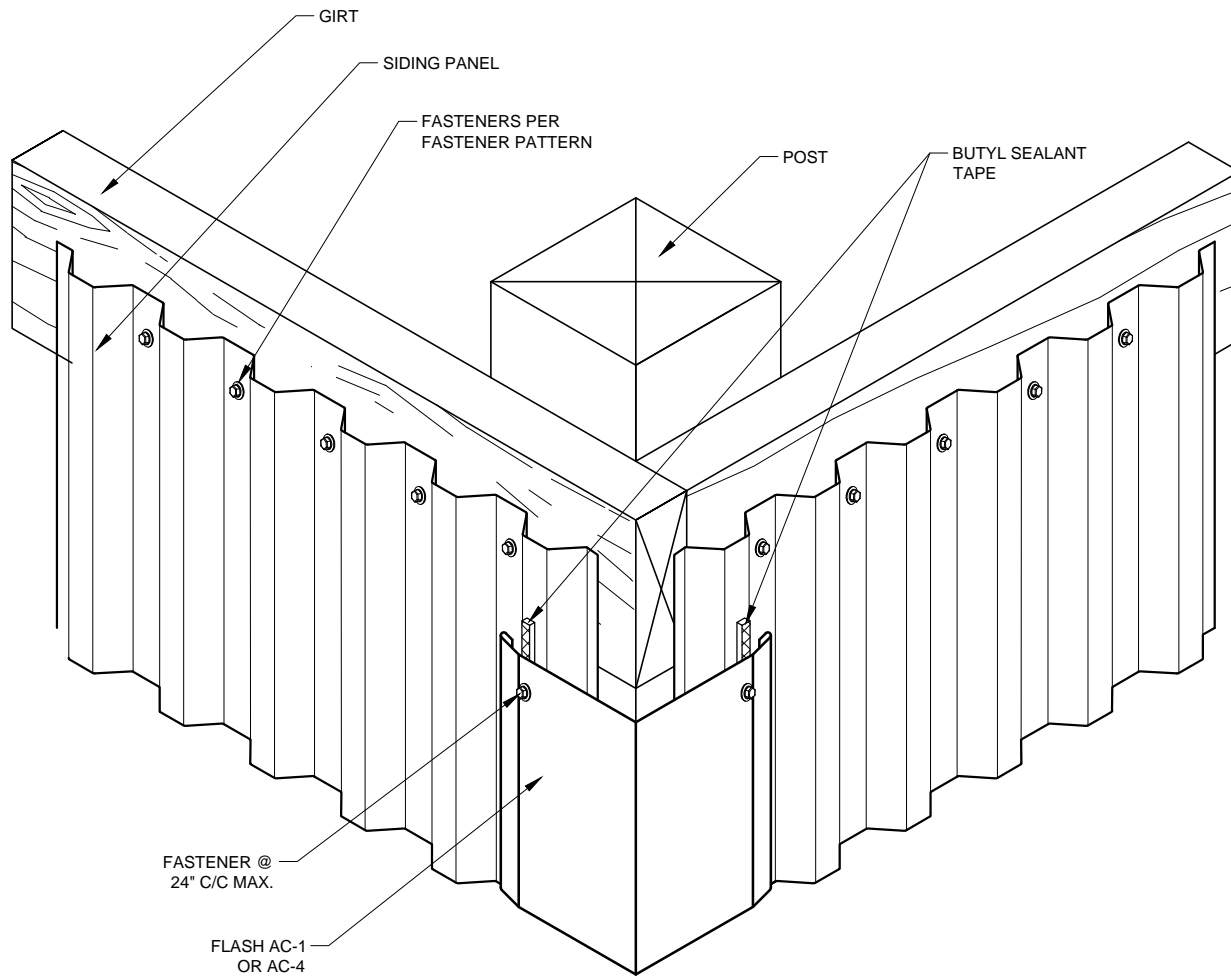


NOTE: SPECIFY BOTH ROOF PITCHES WHEN ORDERING AT-1. STANDARD IS 9/12 TO 3/12.

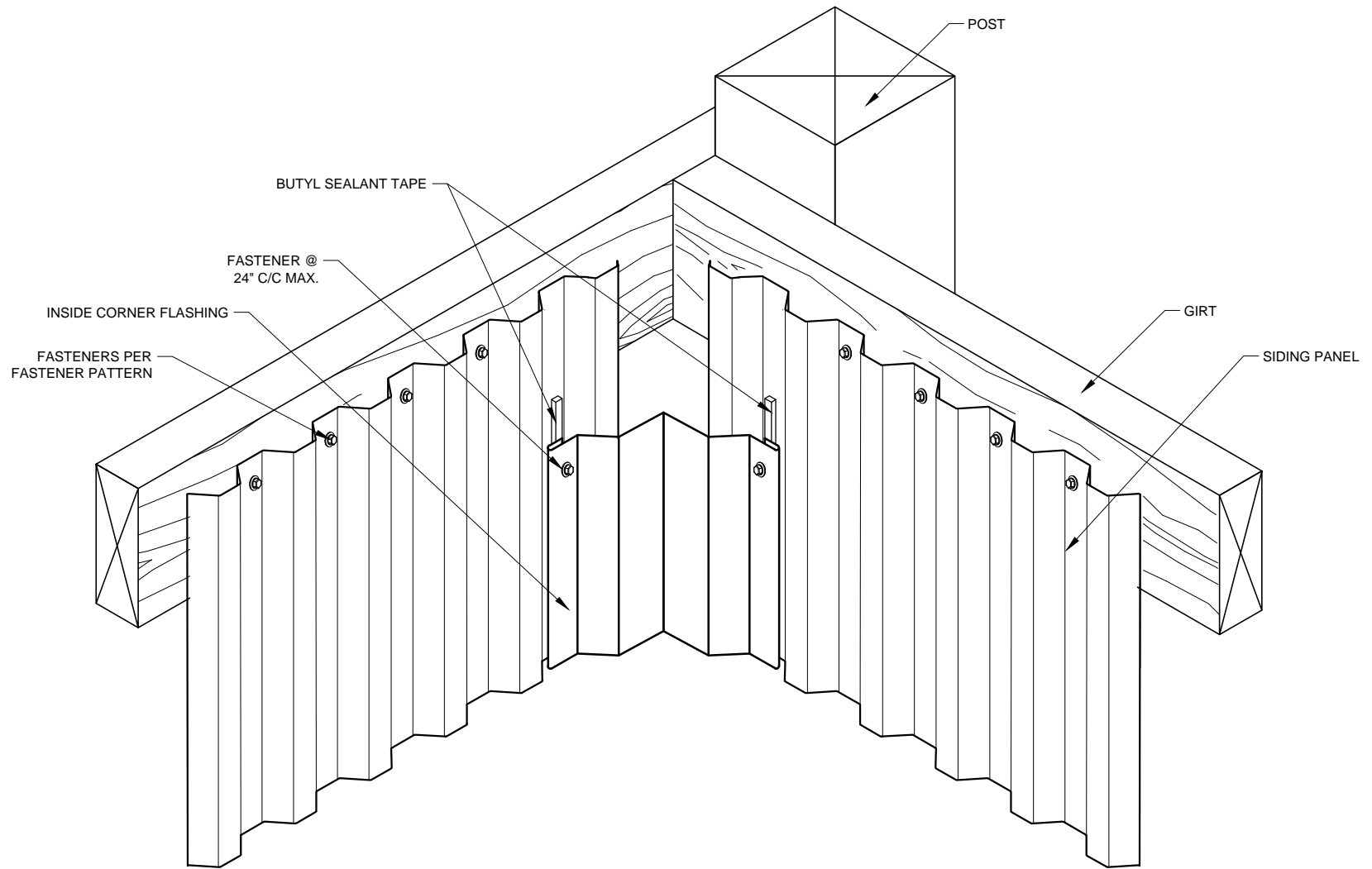
TRANSITION



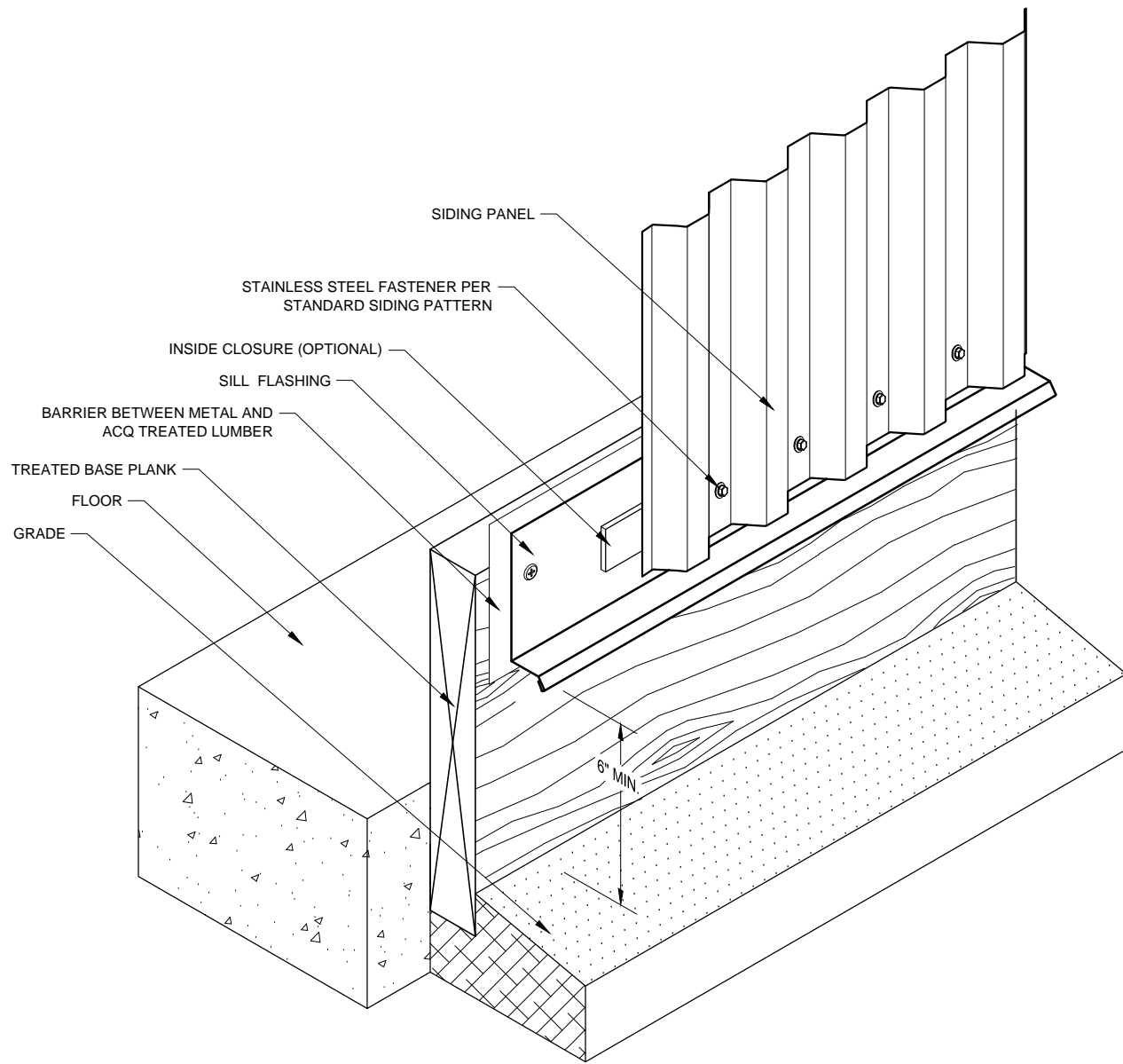
MONOSLOPE RIDGE



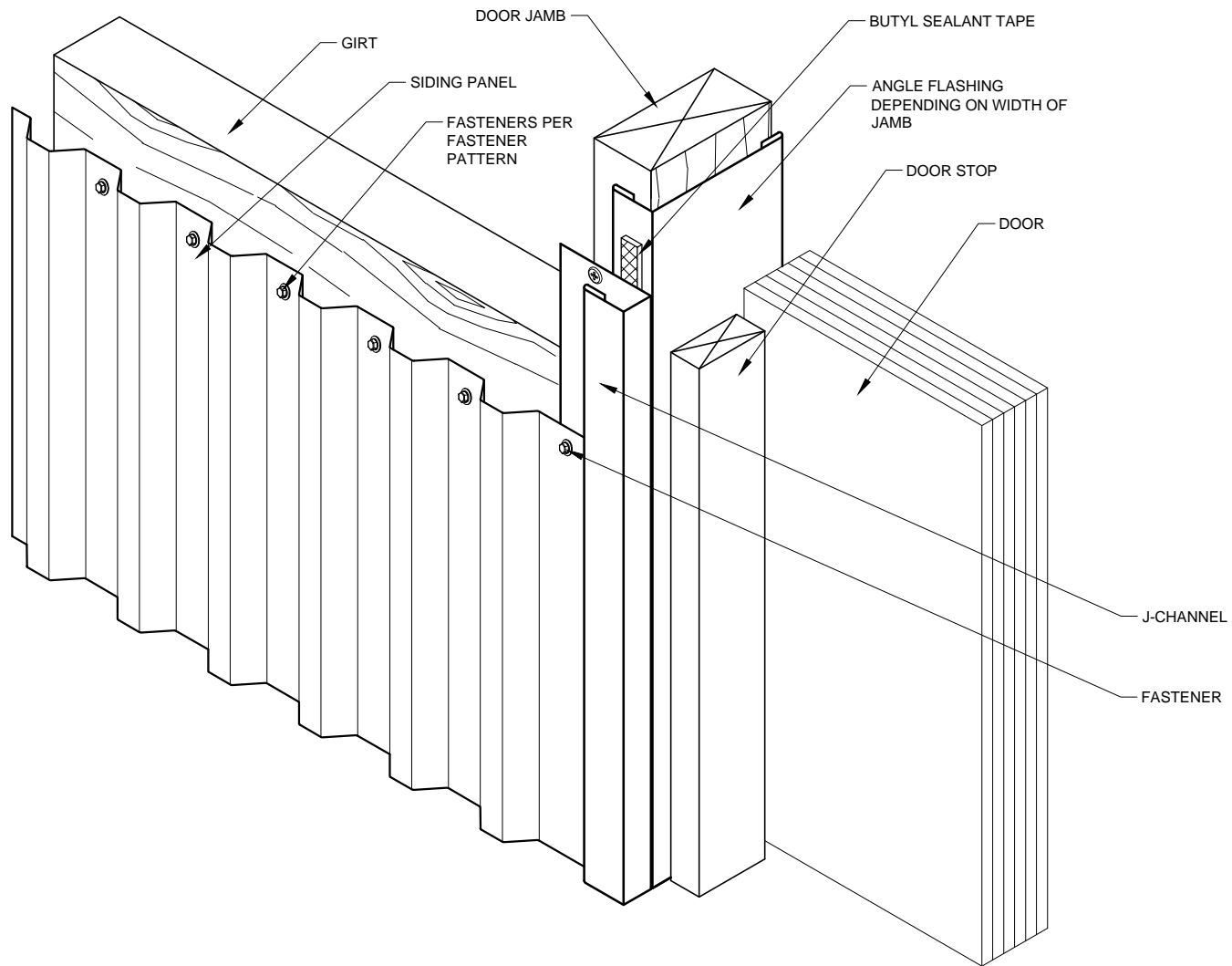
OUTSIDE CORNER



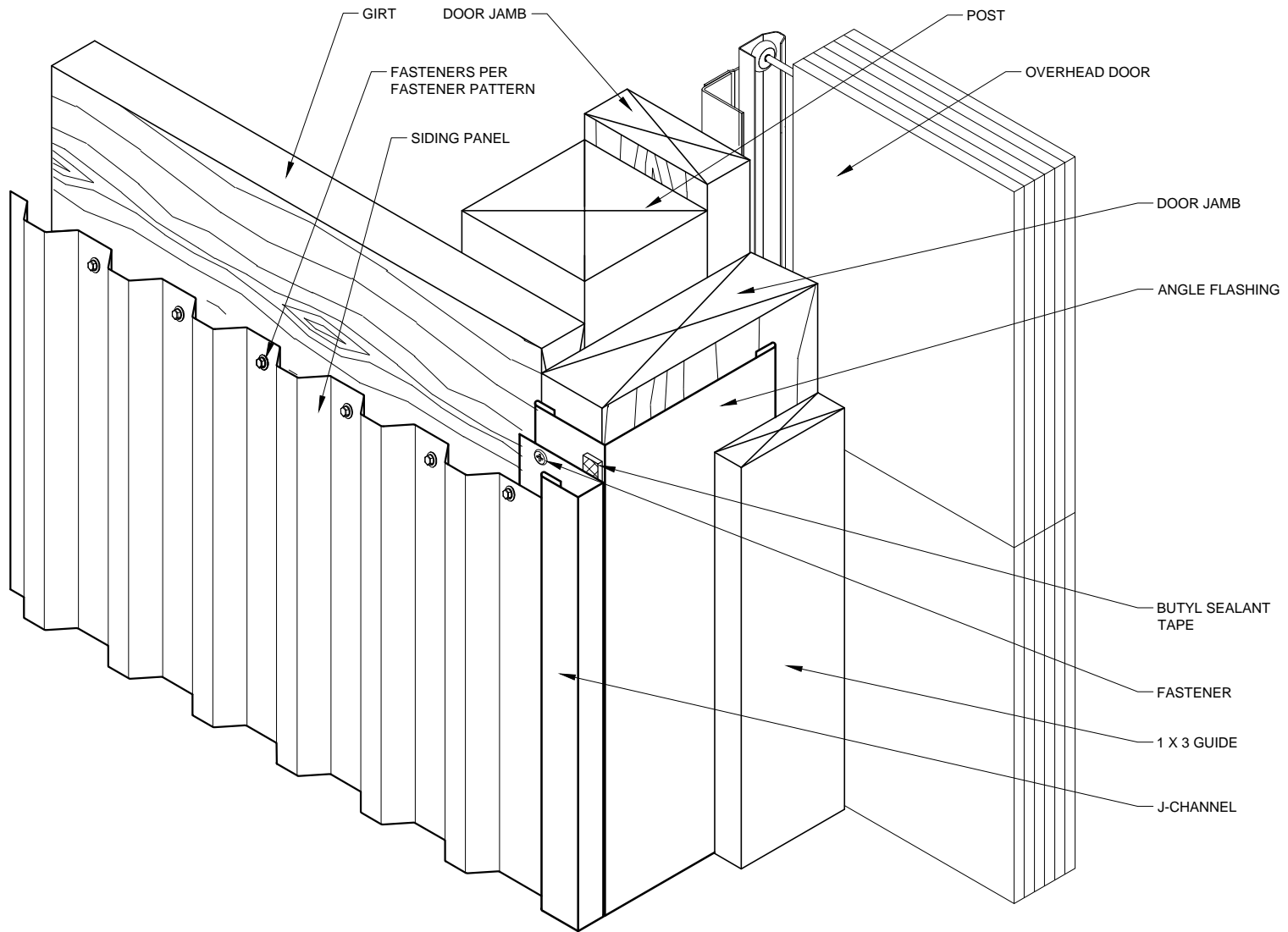
INSIDE CORNER



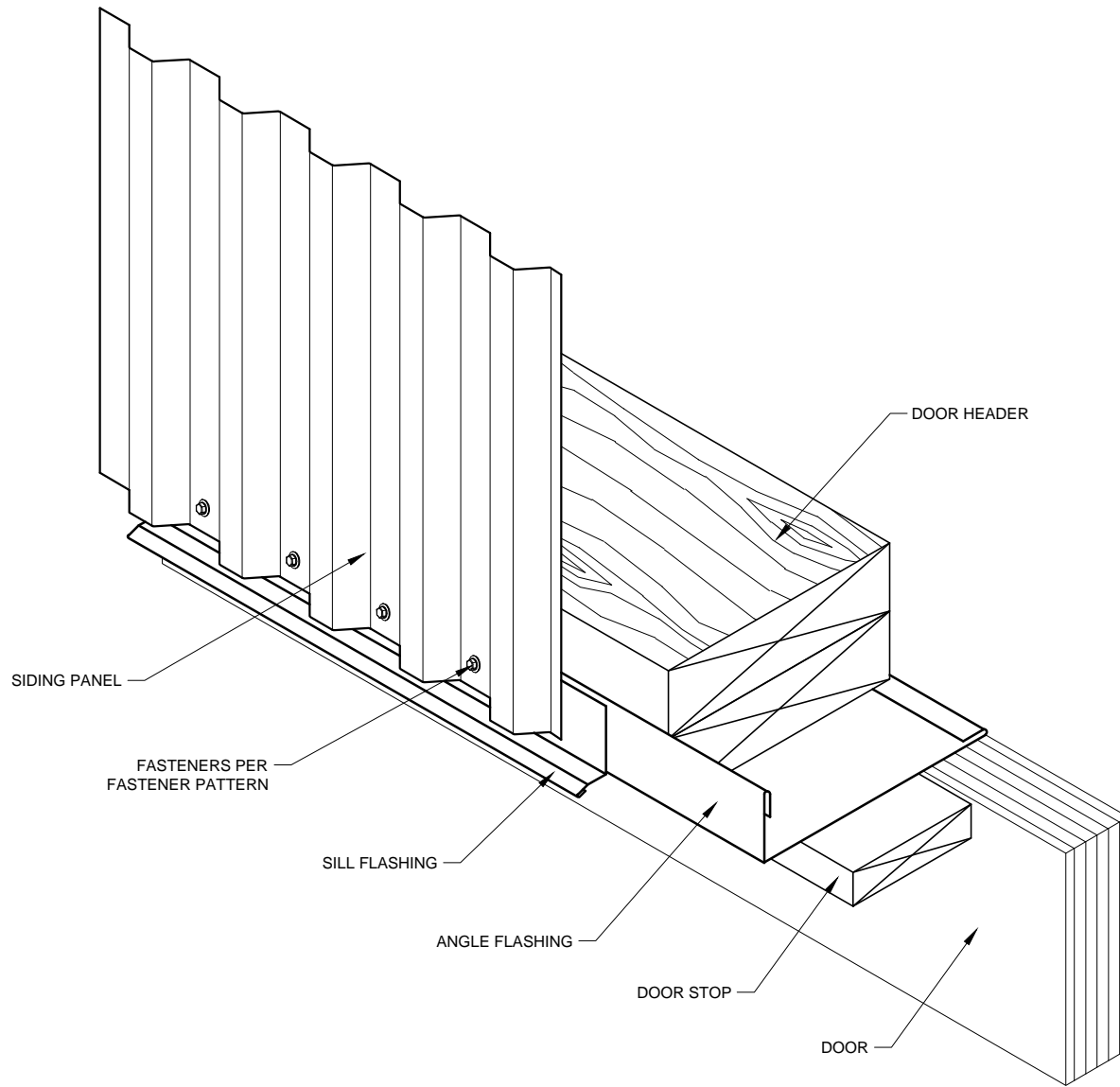
BASE GUARD



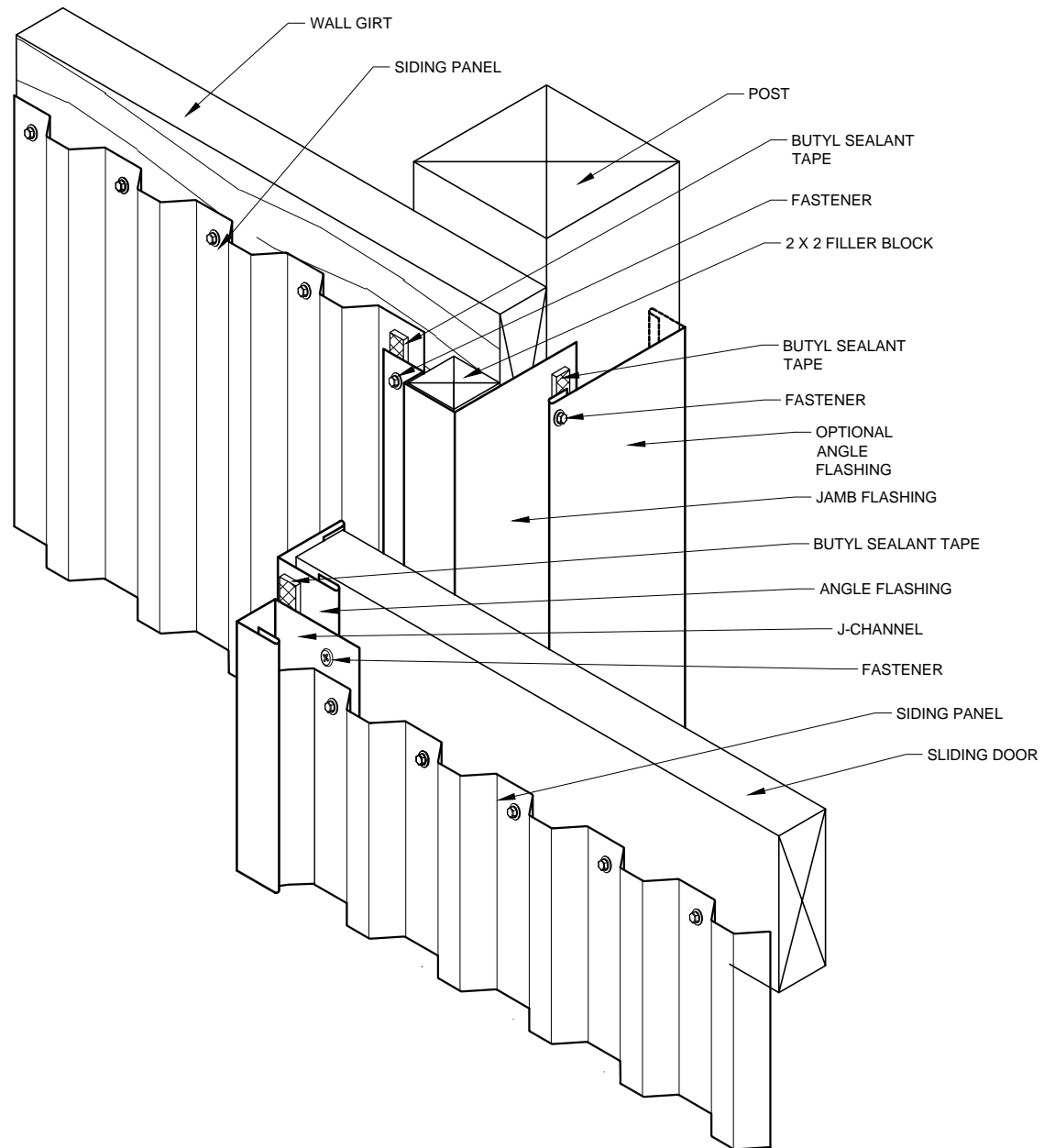
DOOR JAMBS



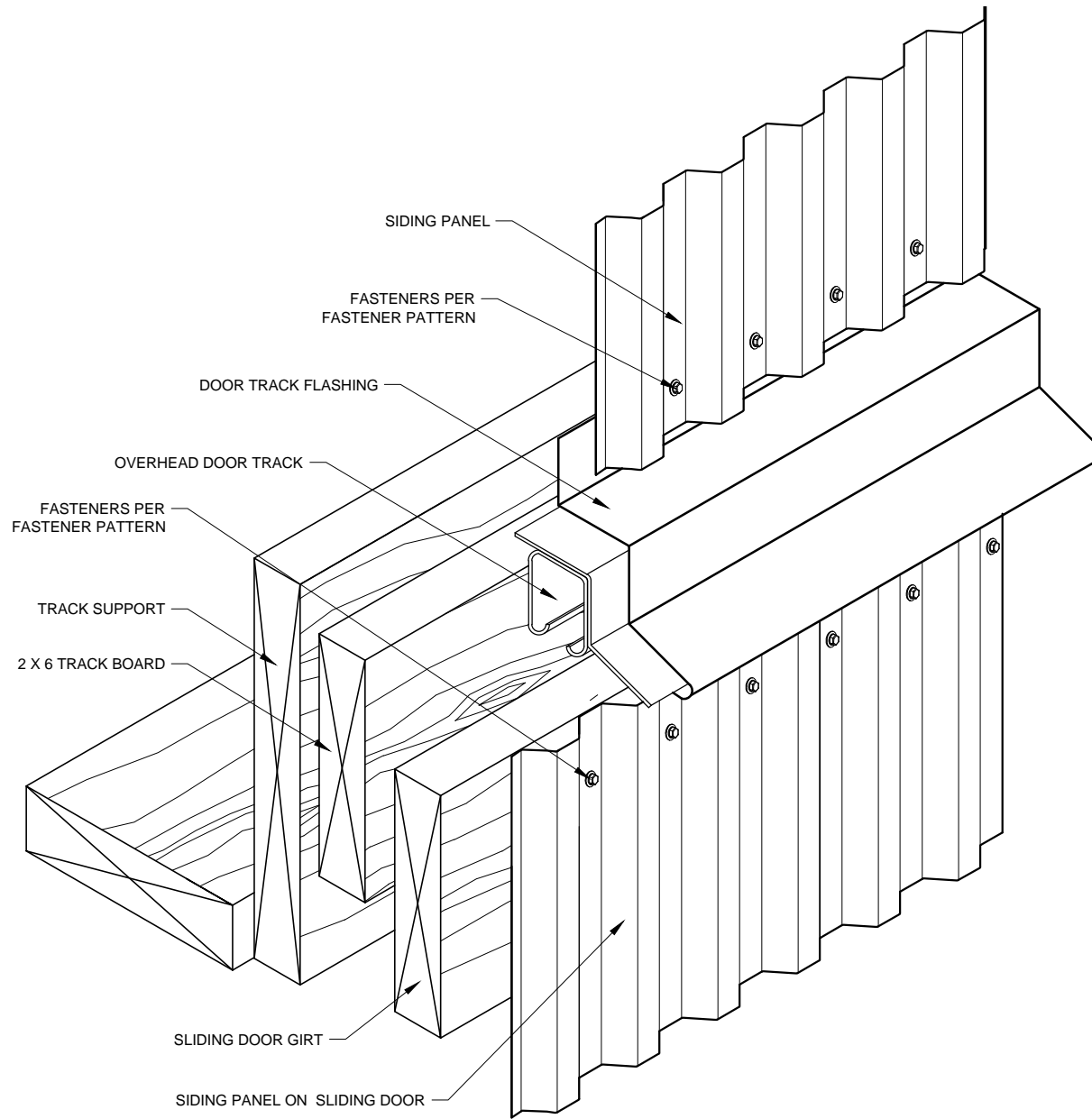
OVERHEAD DOOR JAMBS



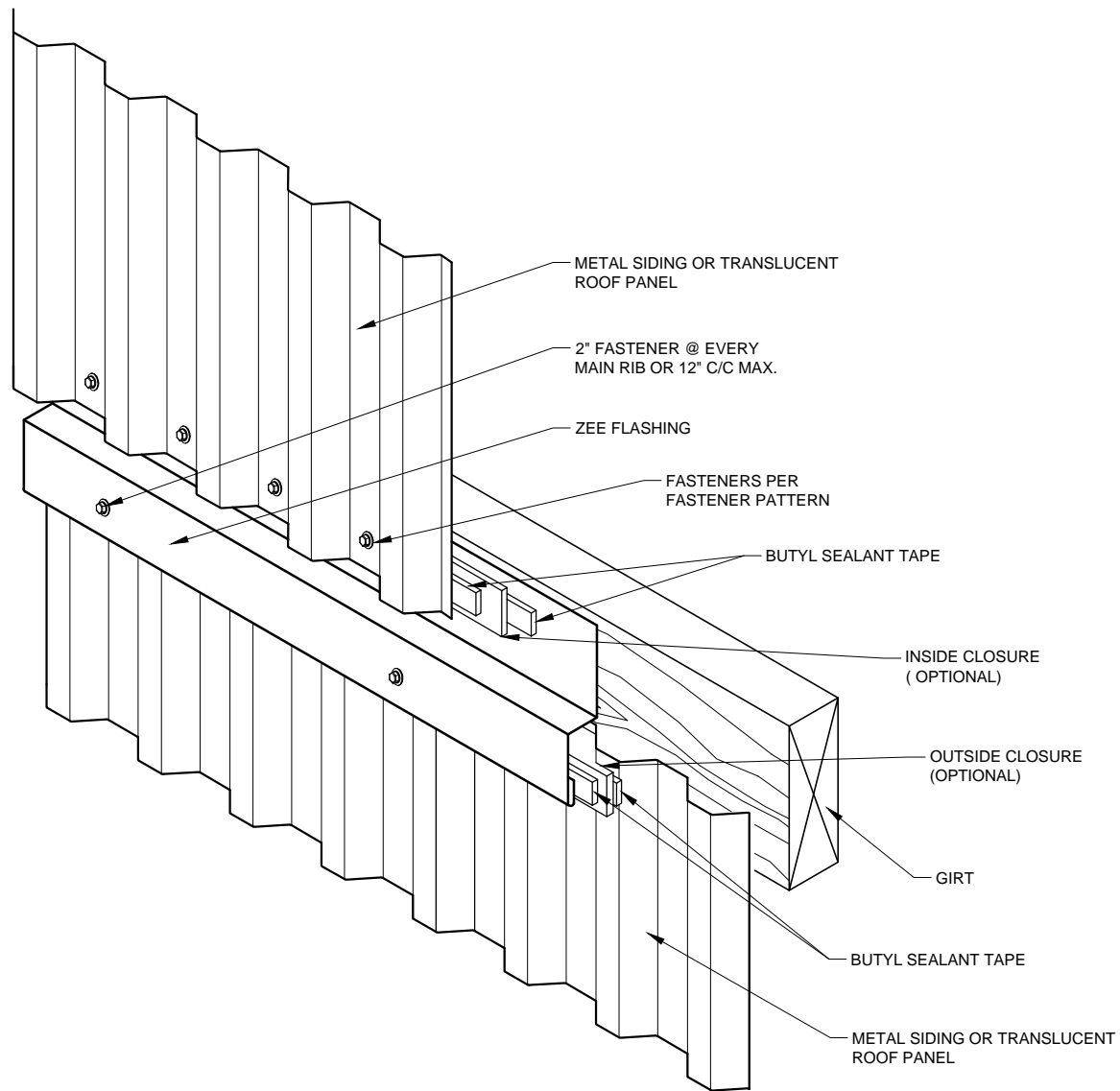
DOOR HEADER



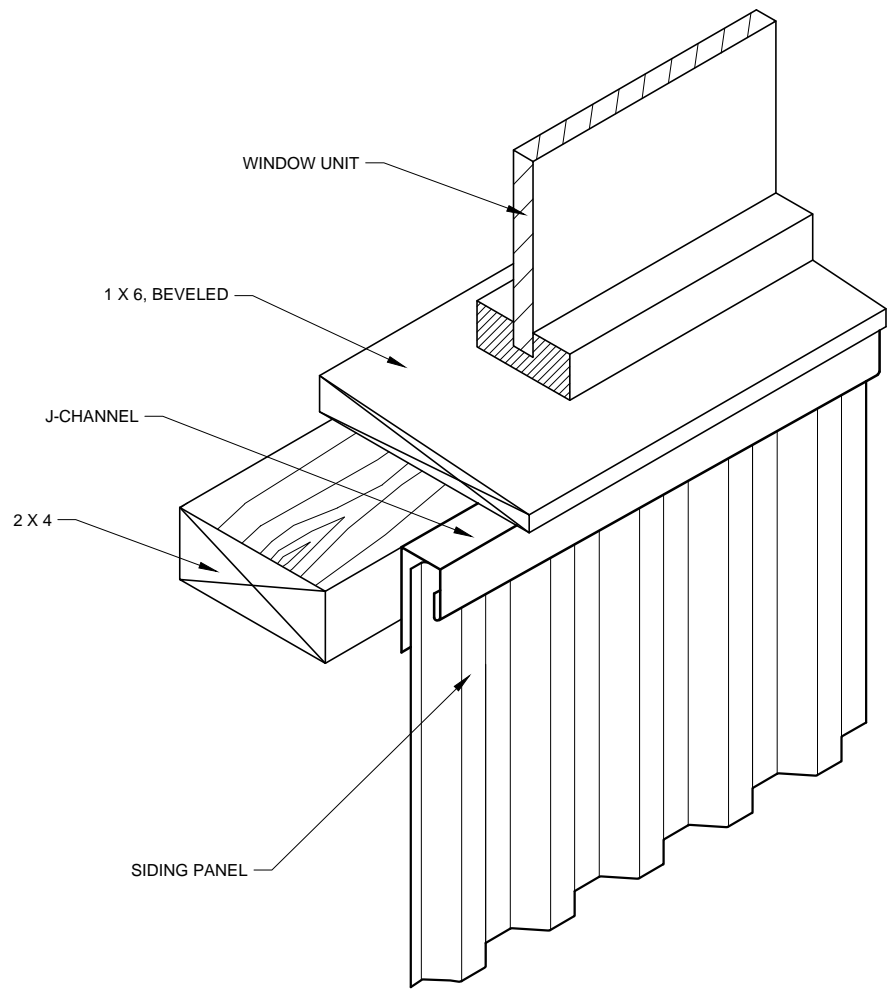
SLIDING DOOR JAMB DETAIL



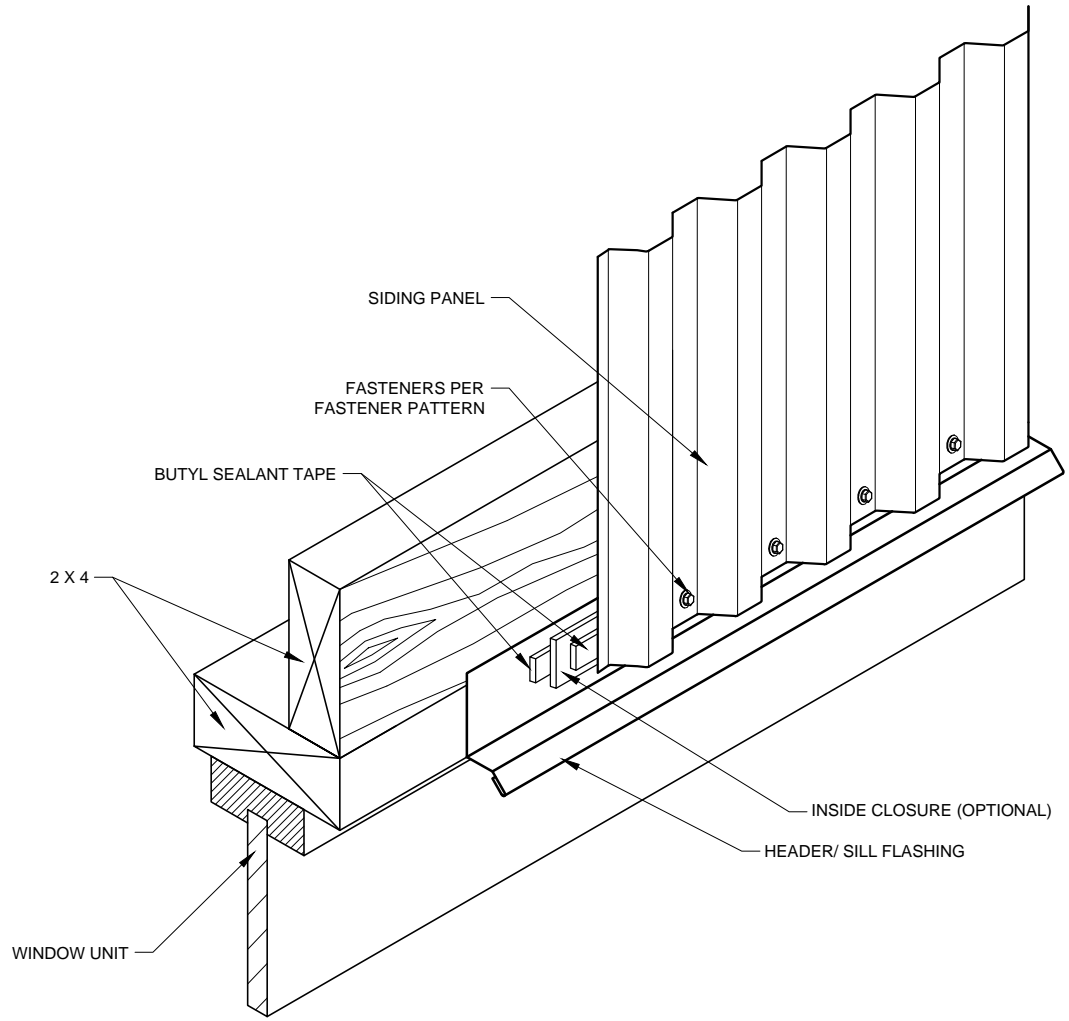
SLIDING DOOR HEADER



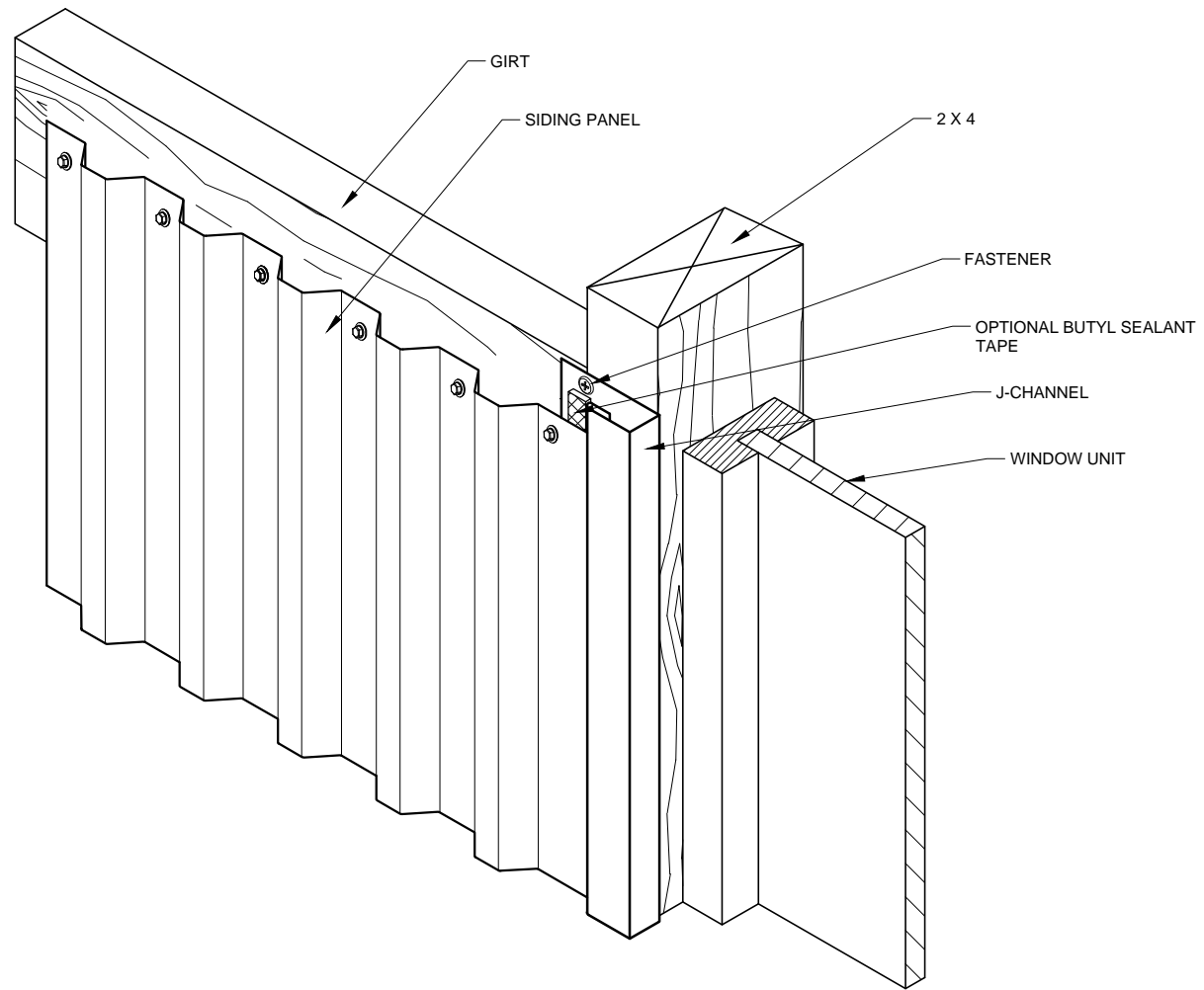
TRANSLUCENT ROOF PANEL



WINDOW SILL



WINDOW HEADER



WINDOW JAMB