

FABRAL®

Industrial Panel Roof and Wall Detailing Manual

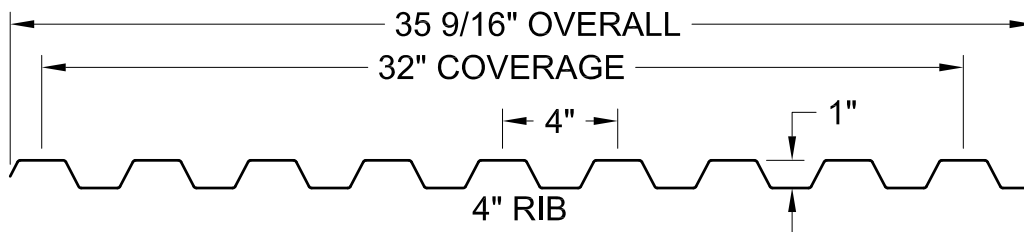
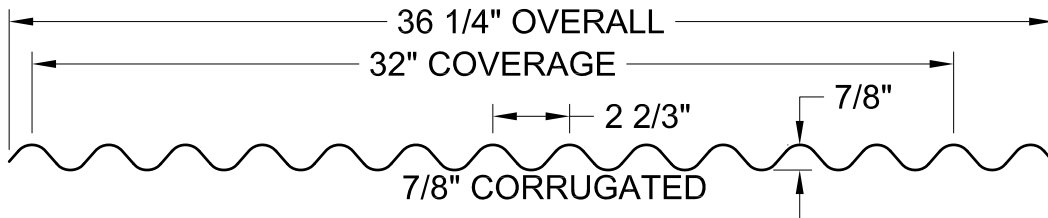
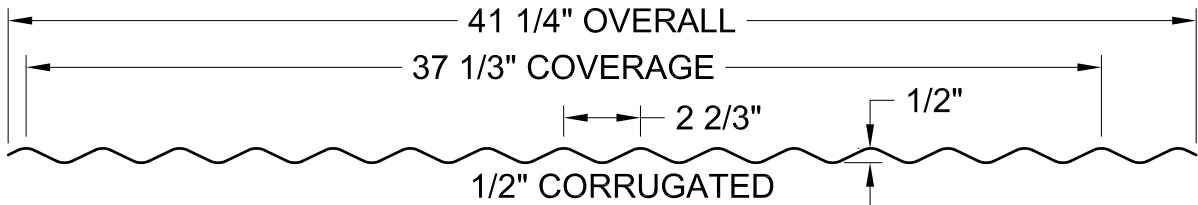
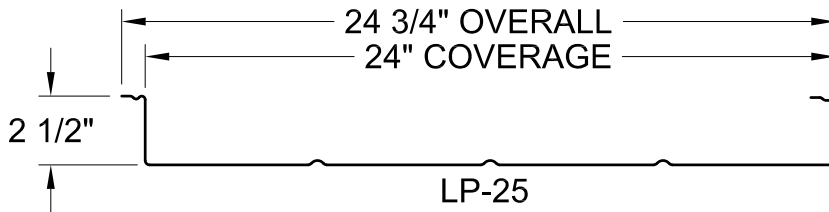
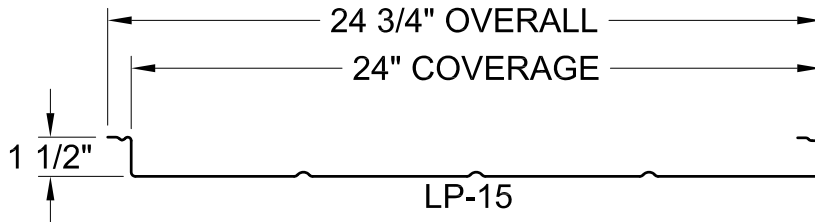
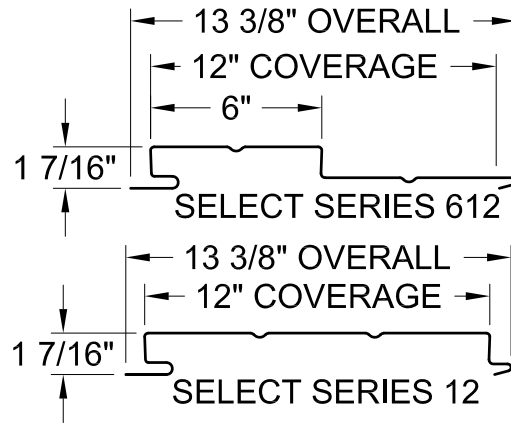
Fabral.com
info@fabral.com

NOTE: The details in this manual are for through-fastened panels only. Fabral's standing seam panels have their own manuals. Refer to the respective standing seam panel manual for installation instructions and details.

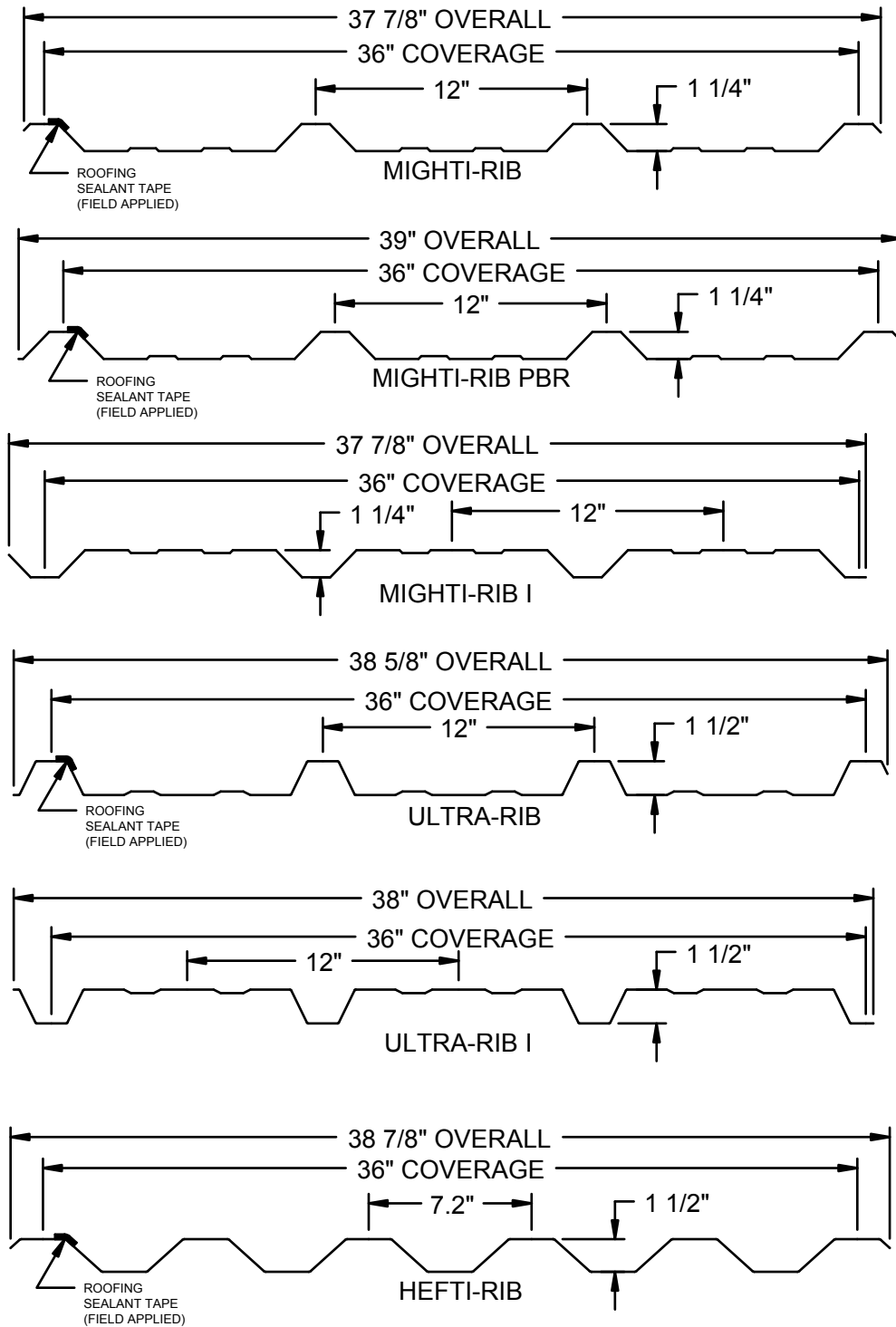
Due to product improvements, changes and other factors, Fabral reserves the right to change or delete information herein without prior notice.

TABLE OF CONTENTS

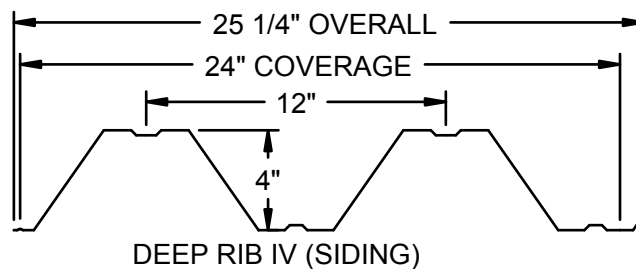
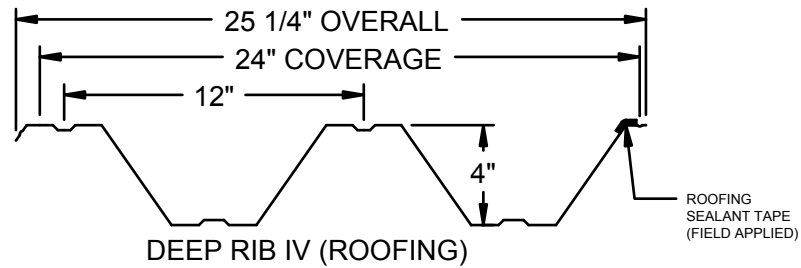
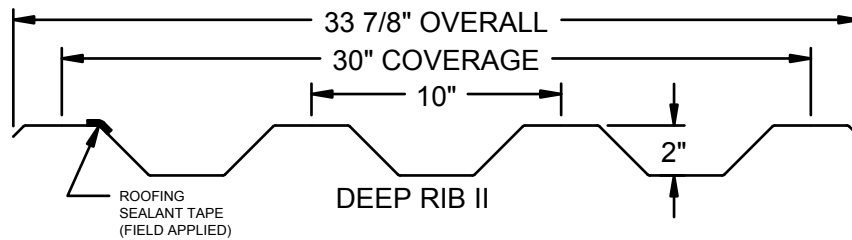
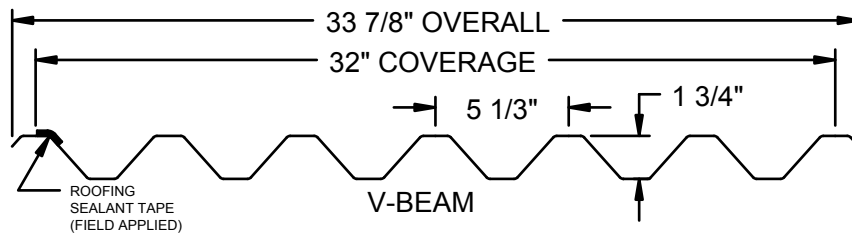
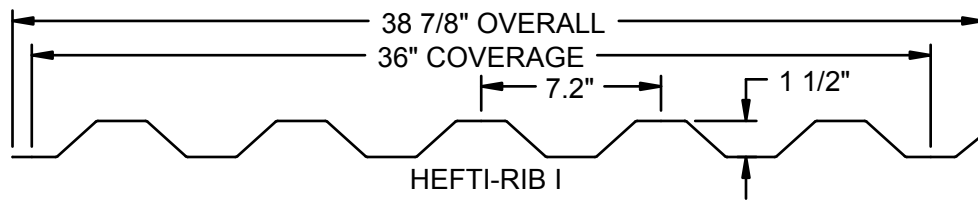
Panel profiles	3
UNINSULATED ROOF DETAILS	
Ridge (unvented)	6
Ridge (vented)	7
Endwall	8
Eave without gutter	9
Eave with gutter	10
Gable	11
Sidewall	12
Valley	13
Penetration	14
UNINSULATED WALL DETAILS	
Uninsulated wall section	16
Opening in sidewall with horizontal panels	17
Opening in sidewall with vertical panels	18
Wall expansion joint	19
Base	20
Outside corner with vertical panels	21
Inside corner with vertical panels	22
Outside panel with horizontal panels	23
Inside corner with horizontal panels	24
Sidewall	25
Sill	26
Jamb	27
INSULATED WALL DETAILS	
Insulated wall assembly	28
Inside corner	29
Outside corner	30
Sidewall (low and high)	31
Insulated wall section (side view)	32
Insulated wall section (end view)	33
VARIOUS	
Panel installation sequence and endlap	34
Maintenance instruction	35



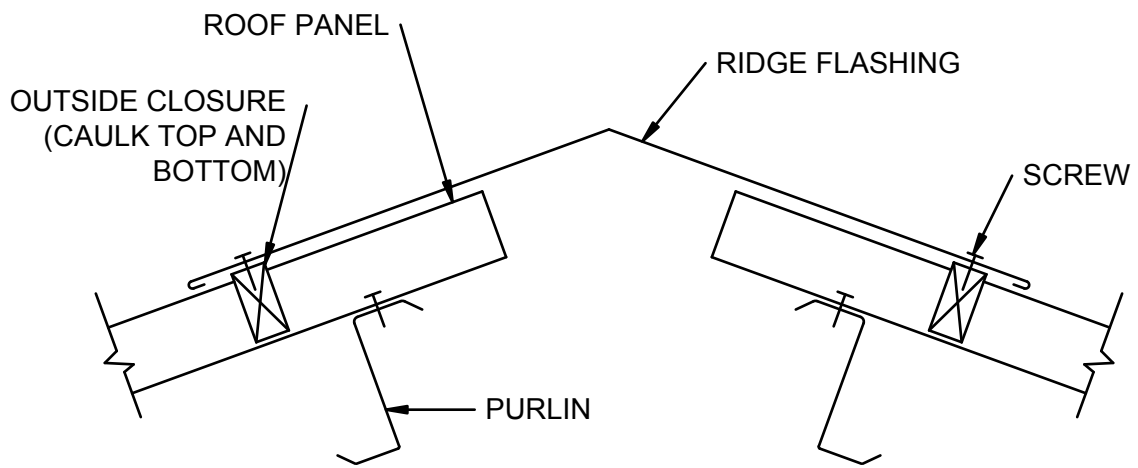
PANEL WIDTHS ABOVE ARE FOR STEEL ONLY.
ALUMINUM PANEL WIDTHS MAY VARY.



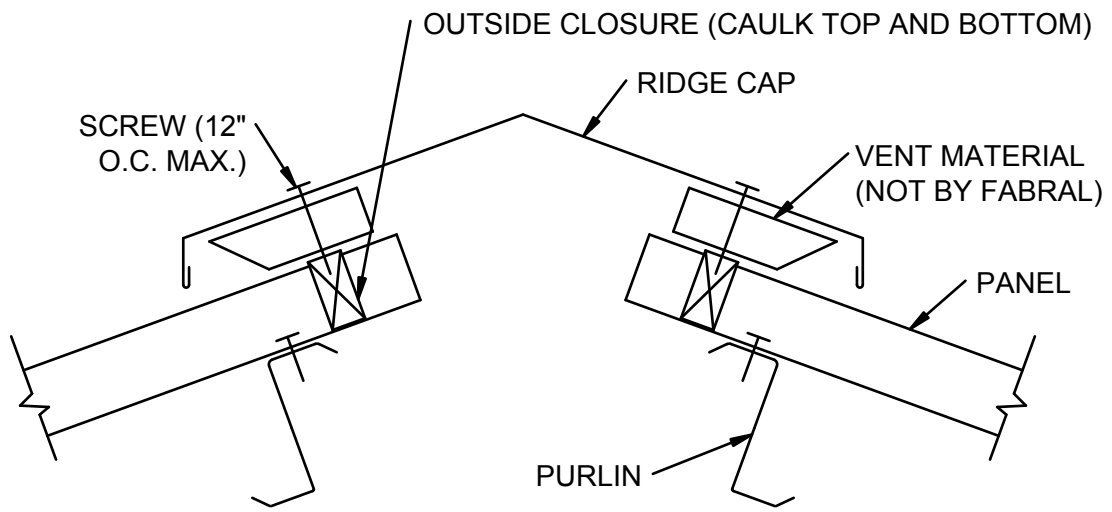
PANEL WIDTHS ABOVE ARE FOR STEEL ONLY.
ALUMINUM PANEL WIDTHS MAY VARY.



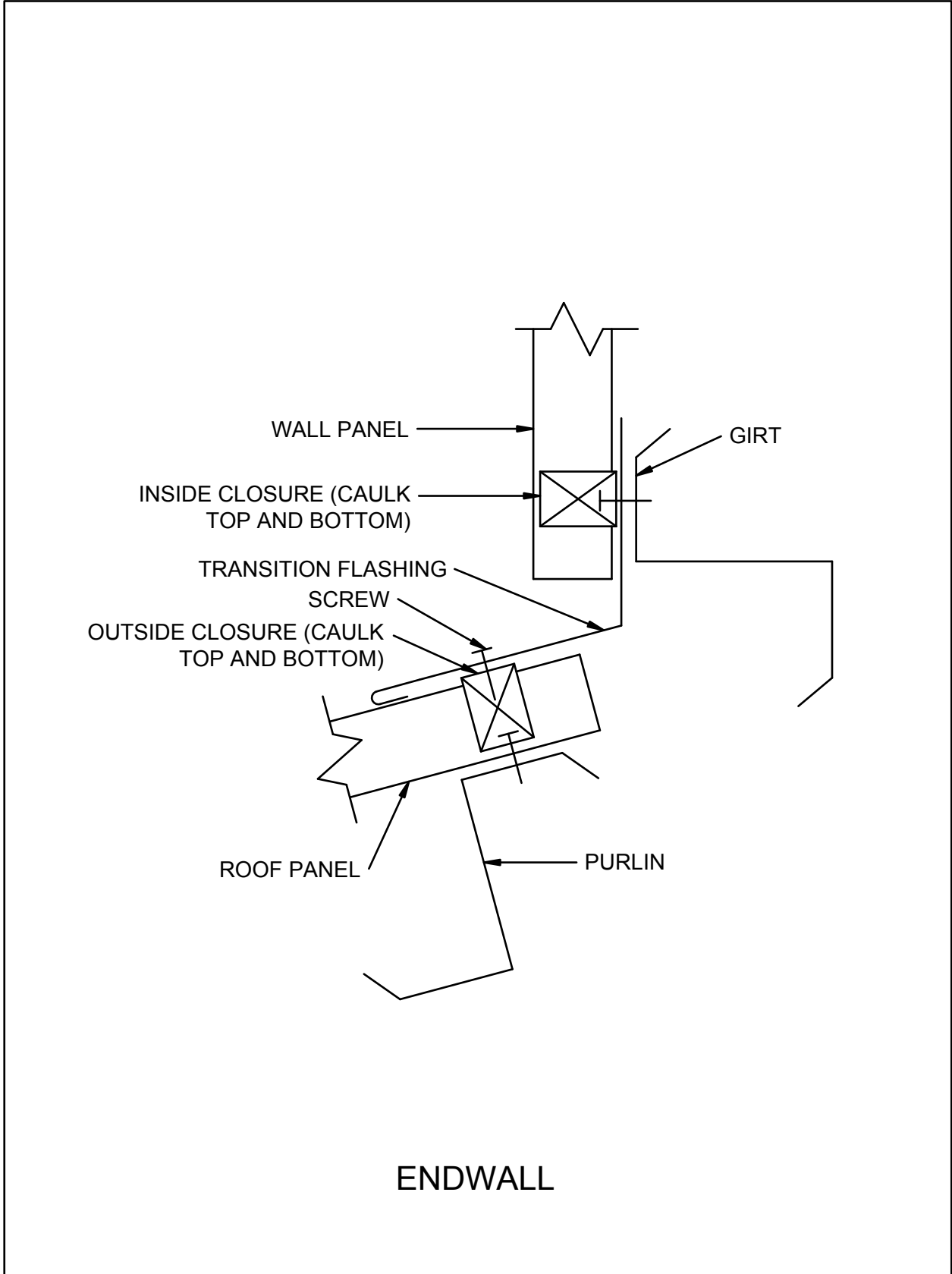
PANEL WIDTHS ABOVE ARE FOR STEEL ONLY.
ALUMINUM PANEL WIDTHS MAY VARY.

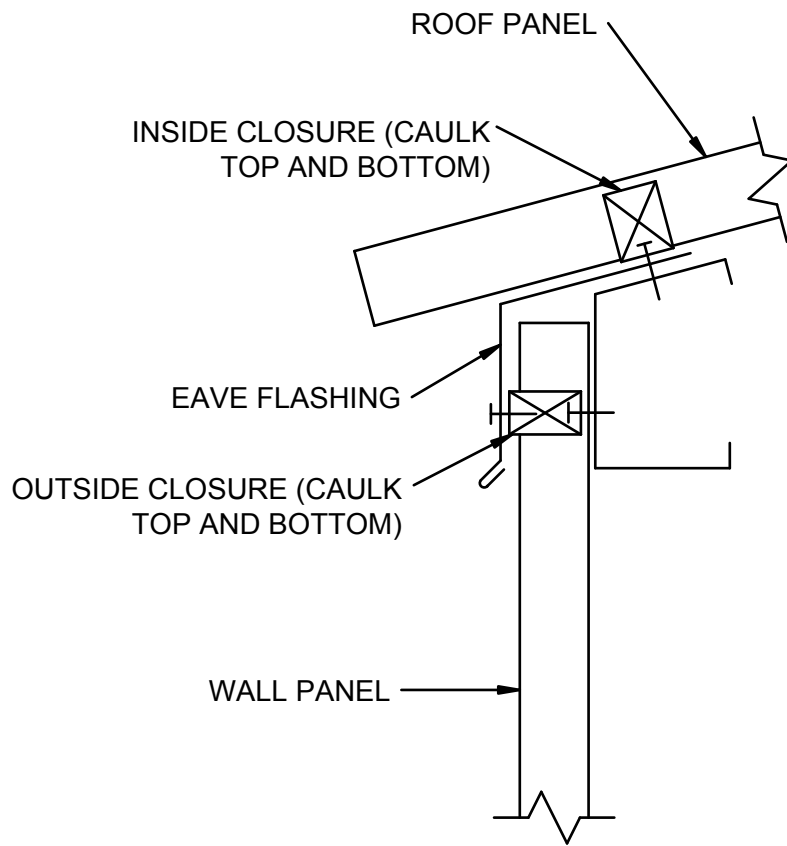


RIDGE (UNVENTED)

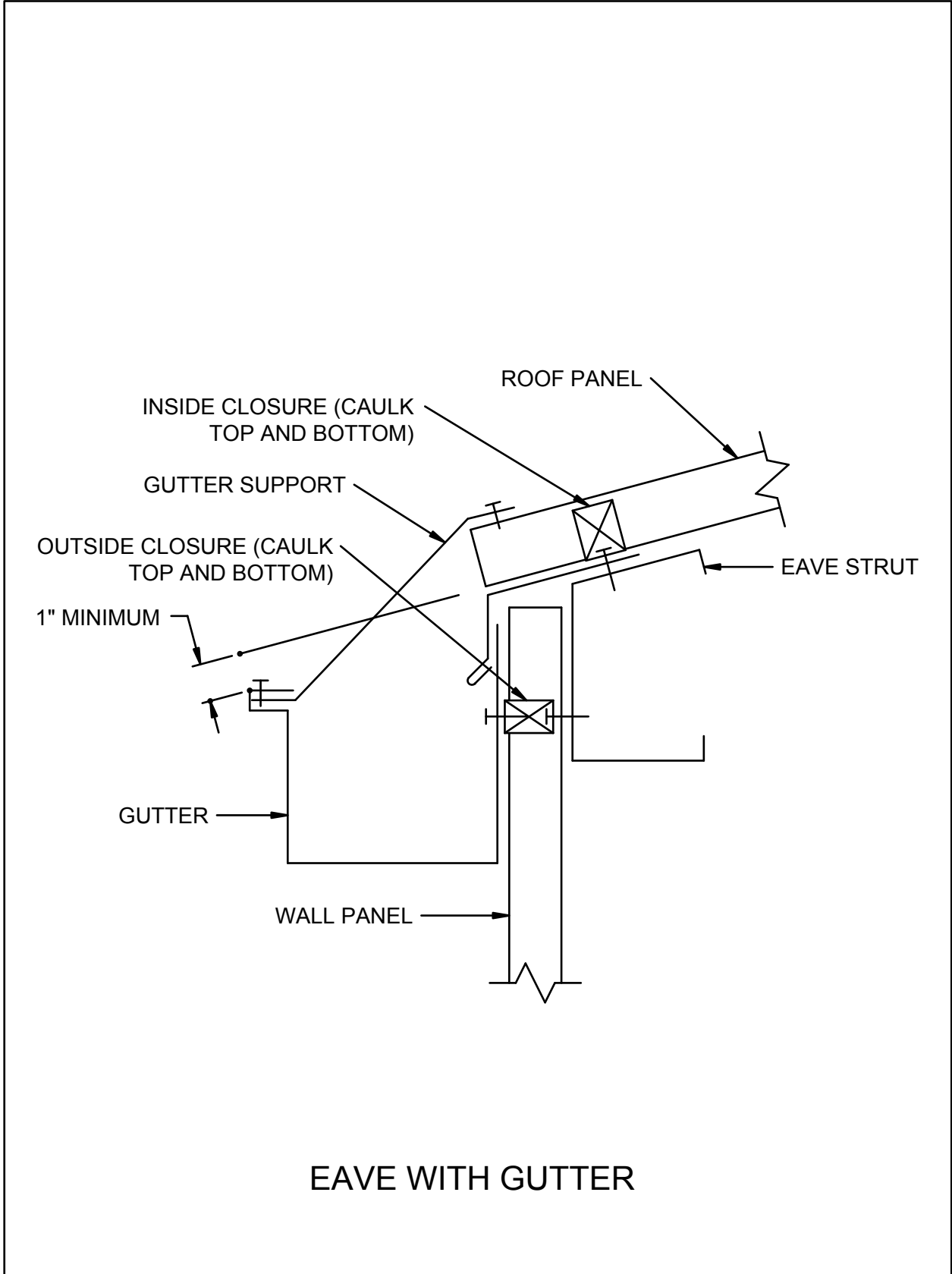


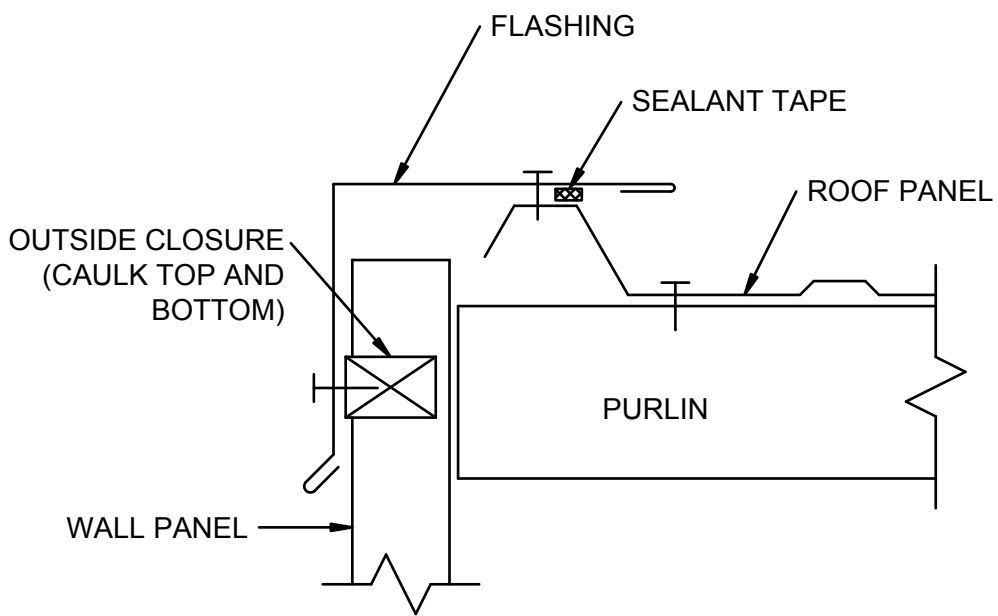
RIDGE (VENTED)



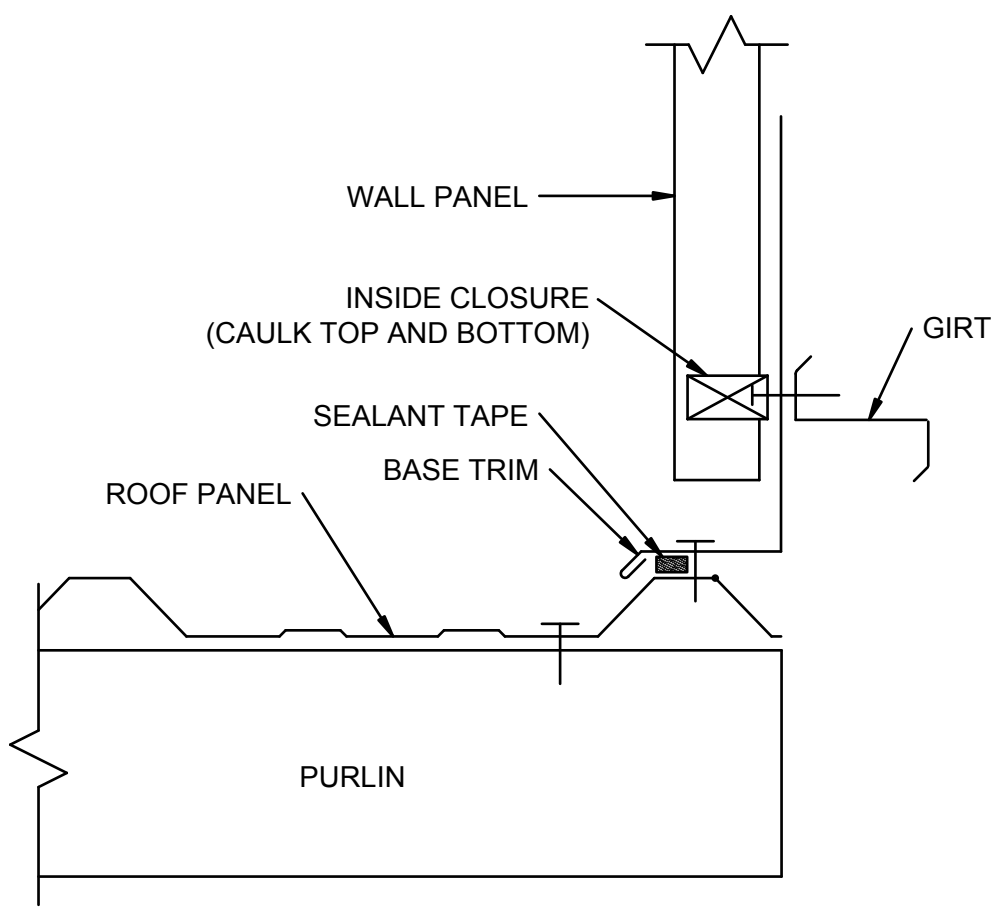


EAVE WITHOUT GUTTER





GABLE



WALL PANEL

INSIDE CLOSURE
(CAULK TOP AND BOTTOM)

GIRT

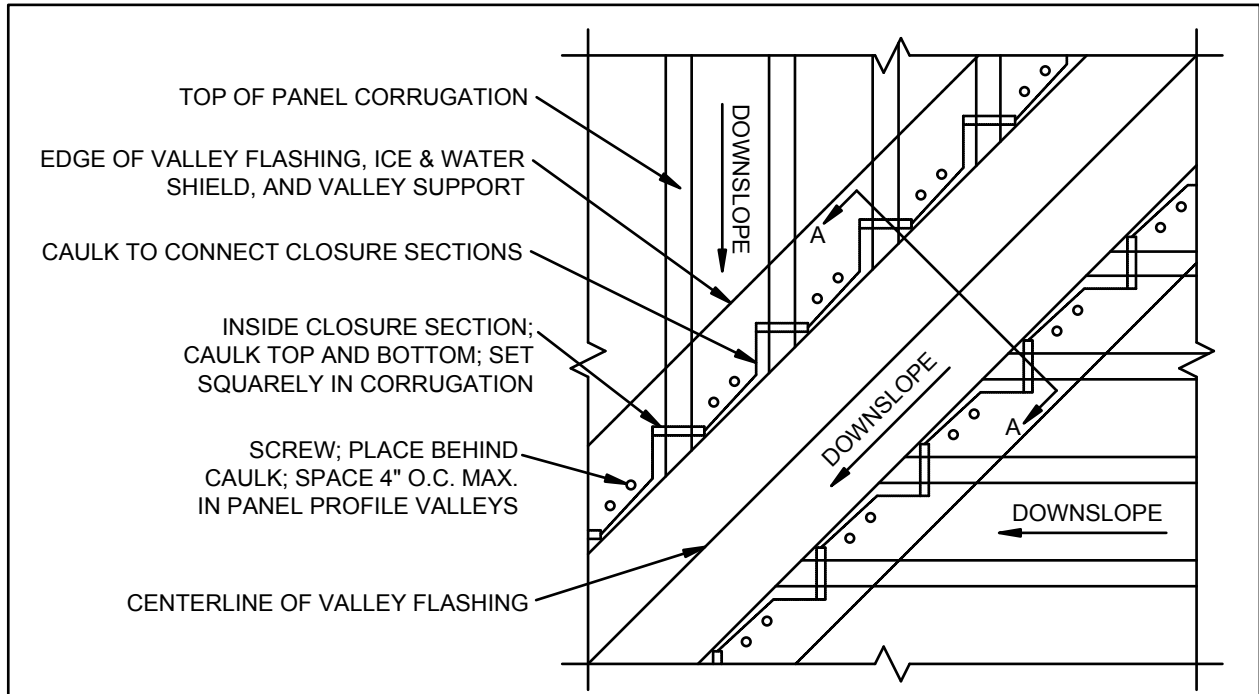
SEALANT TAPE

BASE TRIM

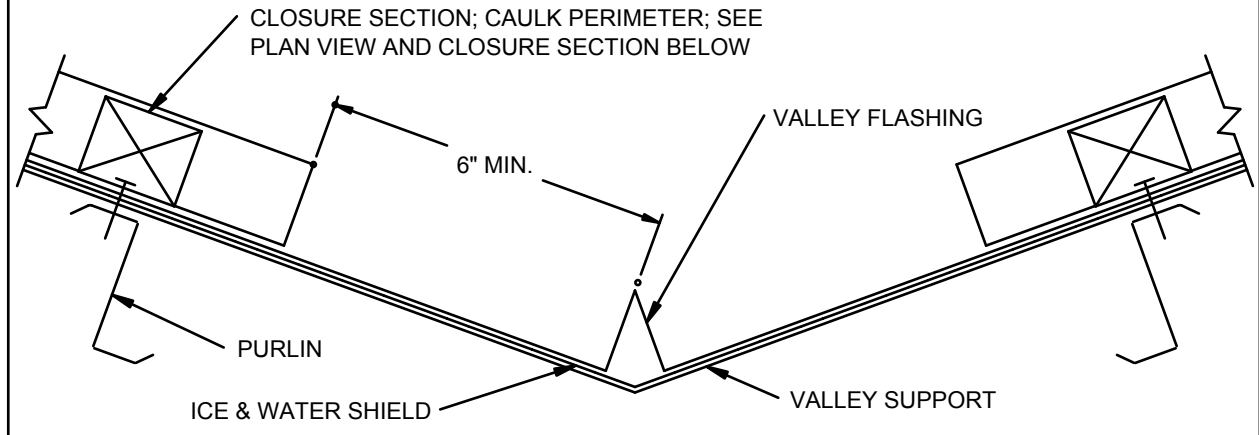
ROOF PANEL

PURLIN

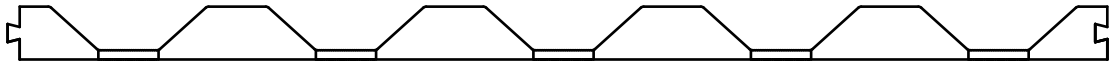
SIDEWALL



PLAN VIEW OF CLOSURES AND CAULK FOR EXPOSED FASTENER PANELS IN VALLEY

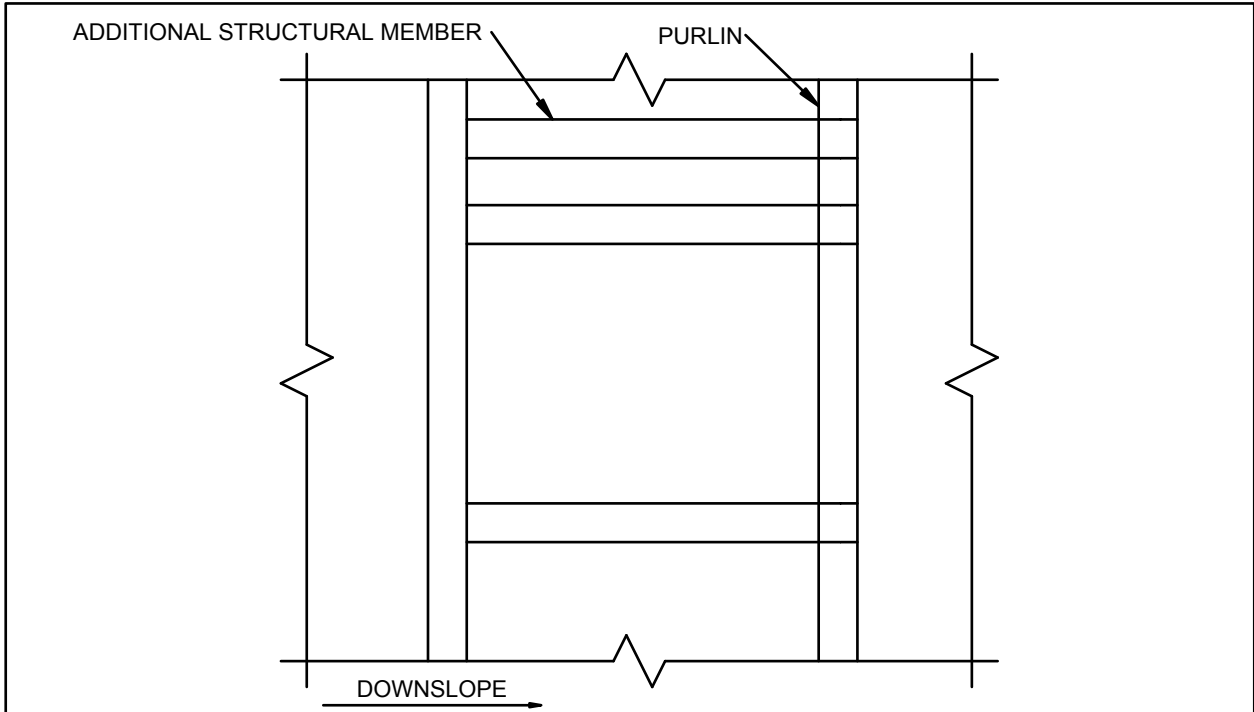


VALLEY DETAIL, SECTION A-A

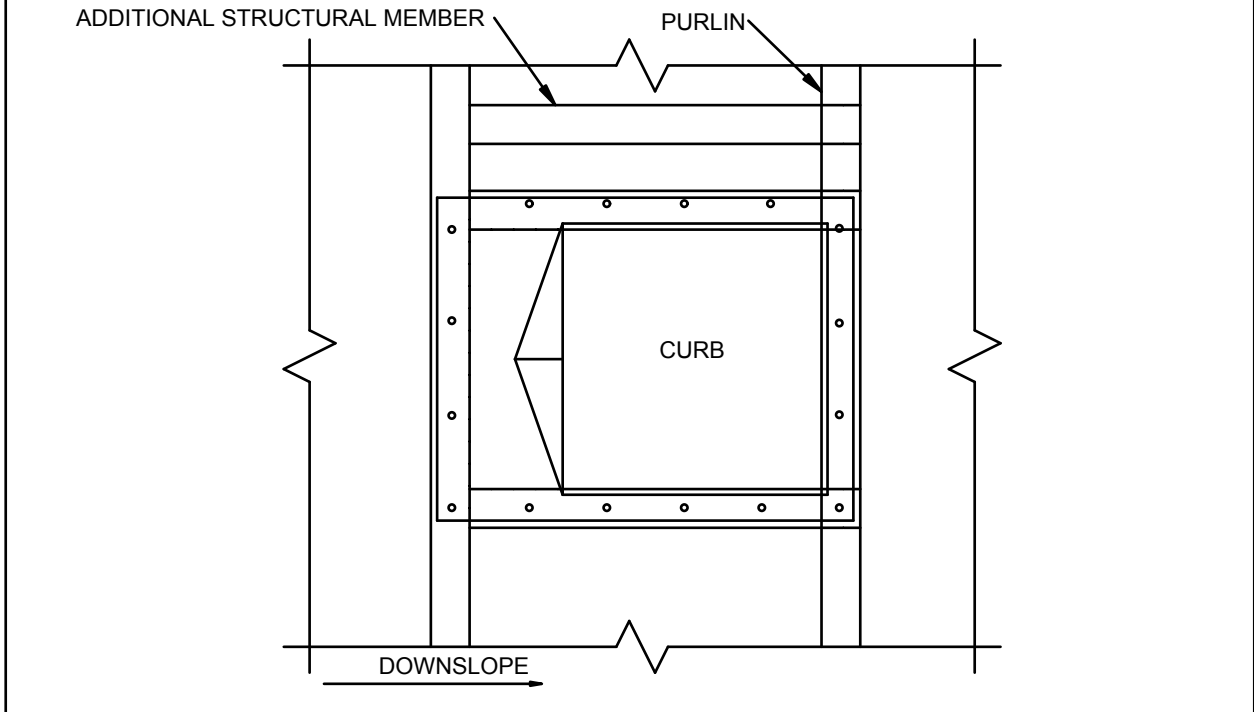


INSIDE CLOSURE; CUT OUT AND REMOVE DASHED AREAS; CAULK TOP AND BOTTOM OF REMAINING SECTIONS AND PLACE INSIDE CORRUGATIONS AS SHOWN ABOVE

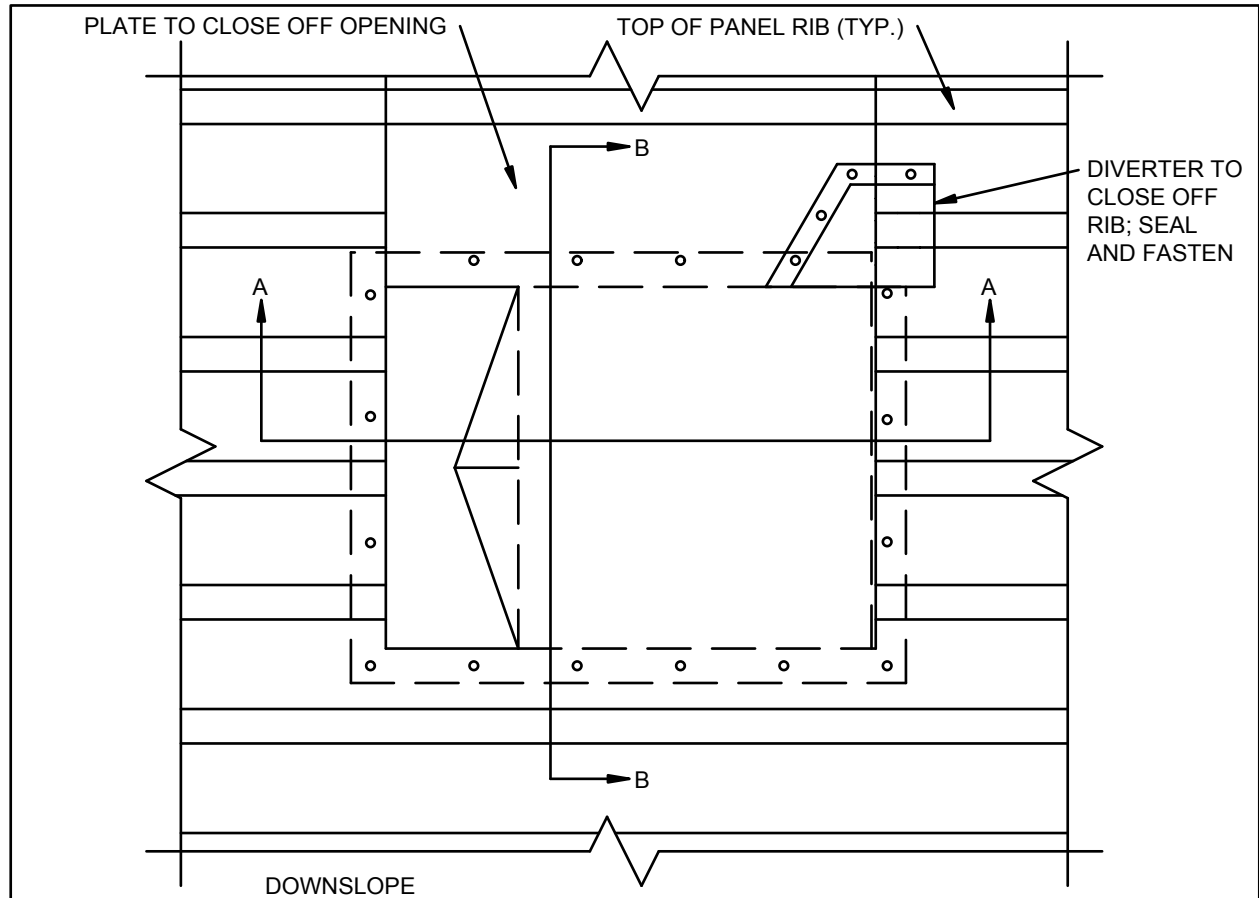
VALLEY



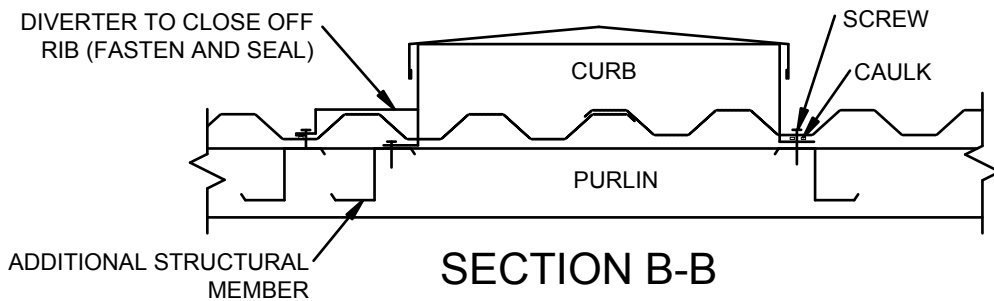
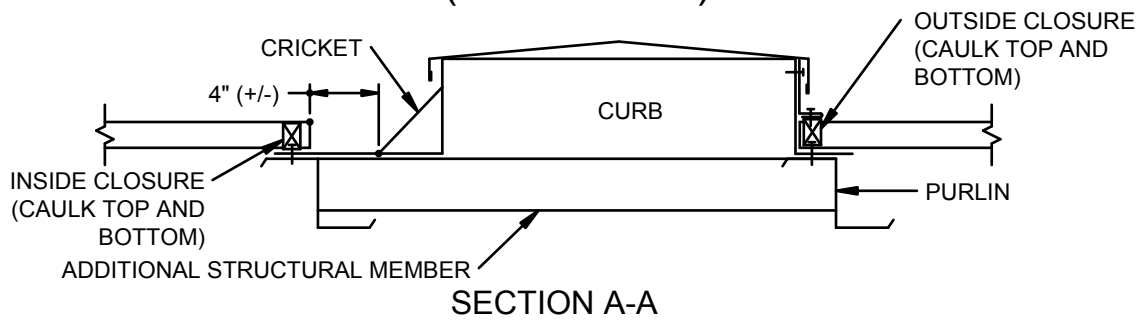
**PENETRATION
(WITH STRUCTURAL MEMBERS ONLY)**

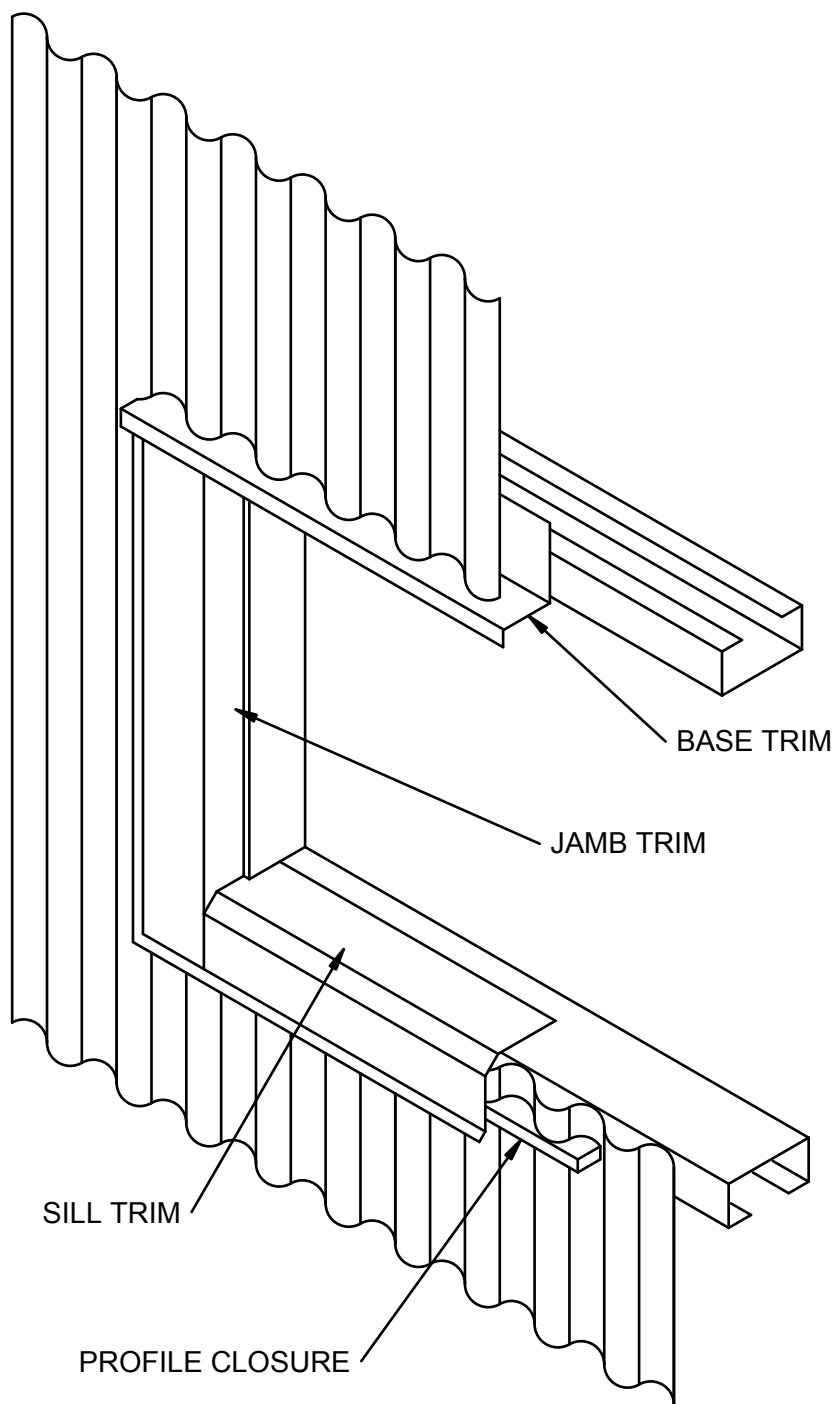


**PENETRATION
(WITH STRUCTURAL MEMBERS AND CURB)**

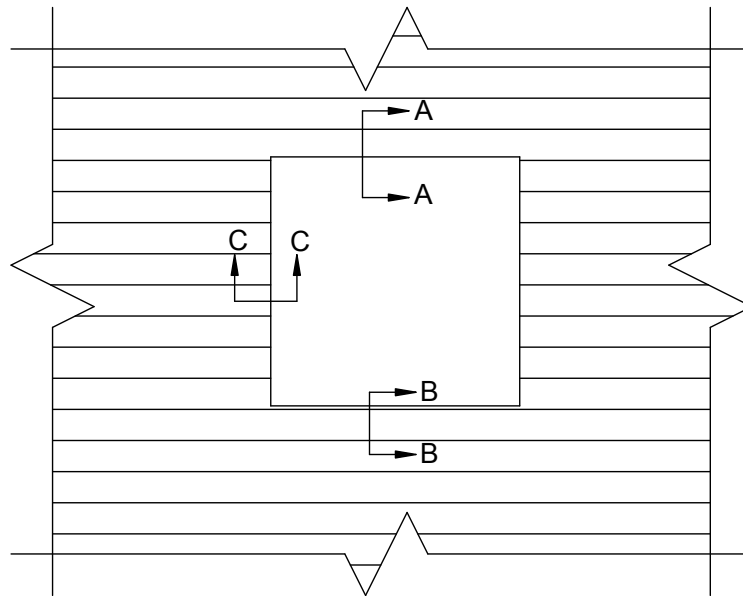


**PENETRATION
(COMPLETE)**

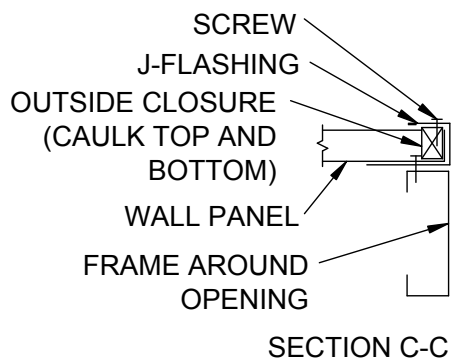
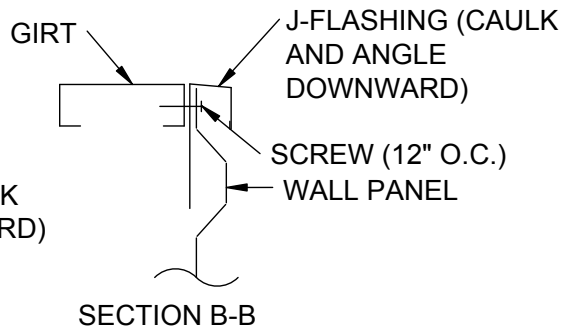
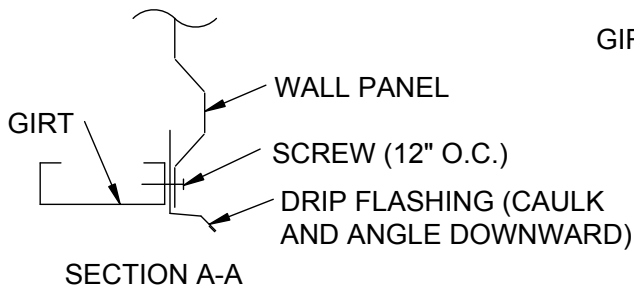




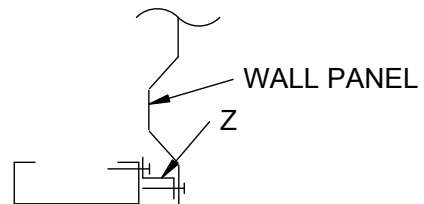
UNINSULATED WALL SECTION

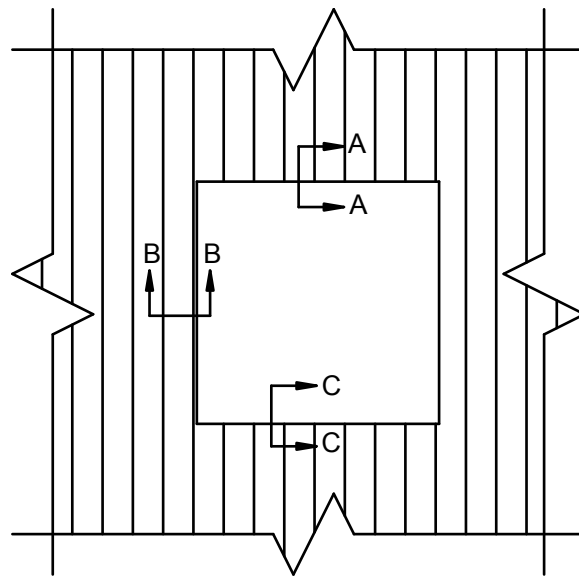


**ELEVATION OF OPENING IN SIDEWALL
WITH HORIZONTAL PANELS**



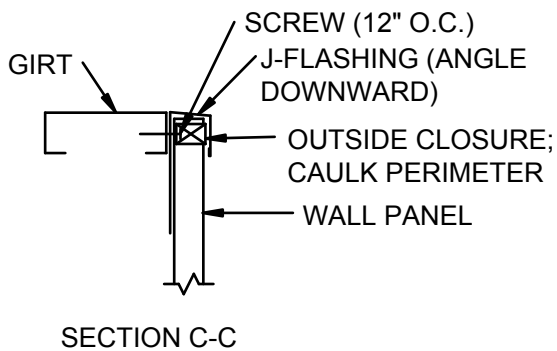
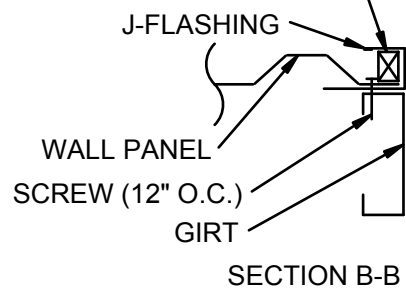
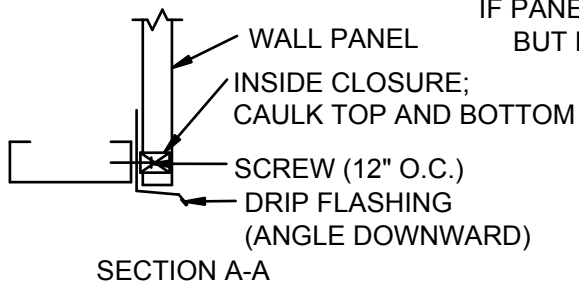
NOTE: IF THE PANEL "ENDS" ON THE RIB AT THE OPENING FOR SECTIONS A-A OR B-B, ATTACH A "Z" THAT IS AS TALL AS THE PANEL IS DEEP TO THE GIRT. USE THE APPROPRIATE FLASHING AS SHOWN FOR SECTIONS A-A AND B-B. ATTACH THE PANEL TO THE "Z". SEE DETAIL BELOW.

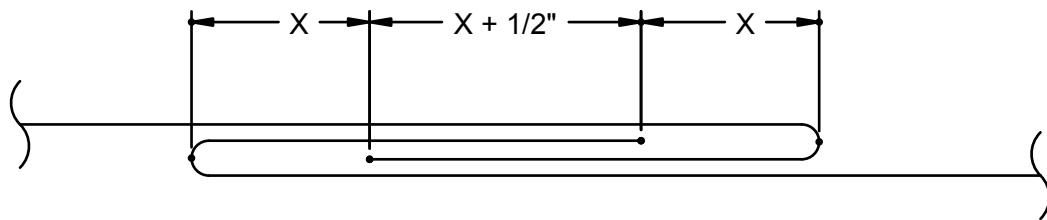
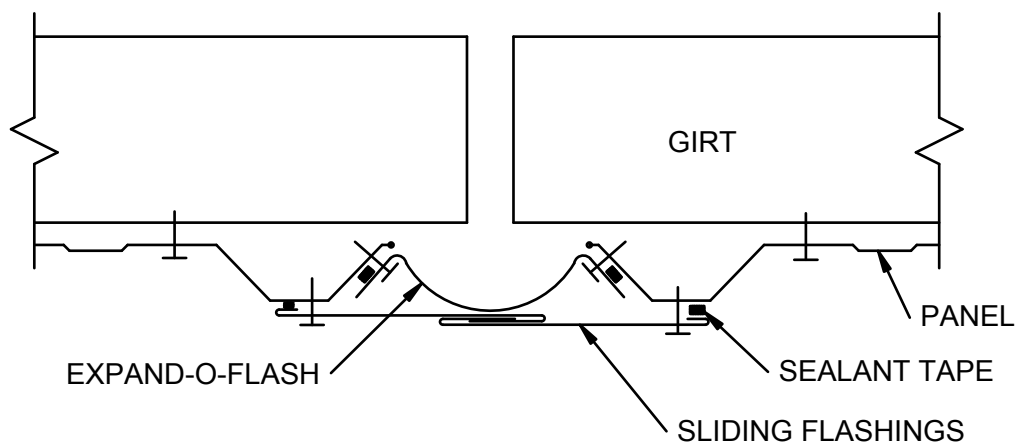




**ELEVATION OF OPENING IN SIDEWALL
WITH VERTICAL PANELS**

UNIVERSAL CLOSURE; CAULK TOP AND
BOTTOM; CLOSURE IS NOT NECESSARY
IF PANEL "ENDS" WITH RIB AT FLASHING
BUT MUST BE CAULKED AT FLASHING

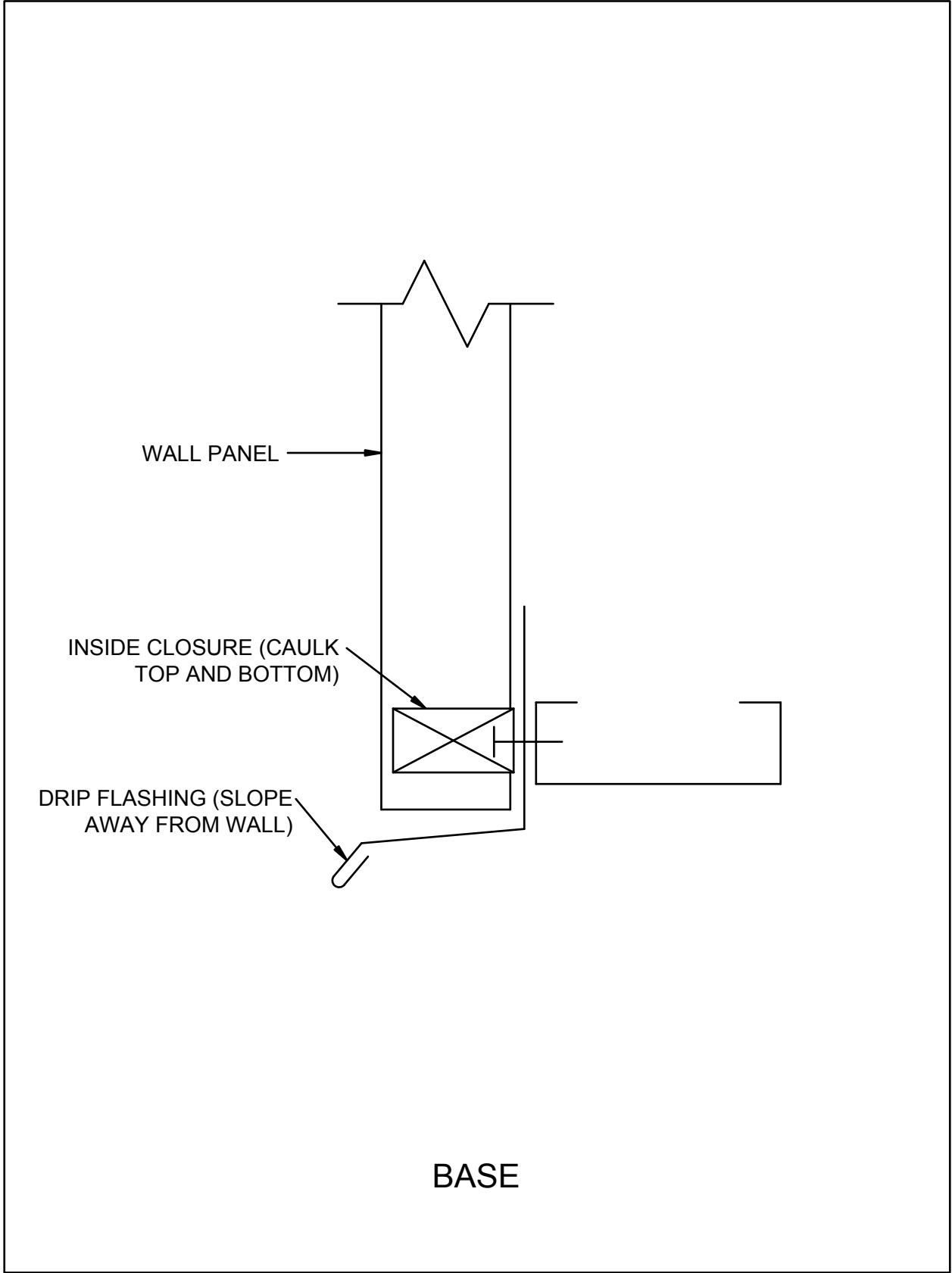


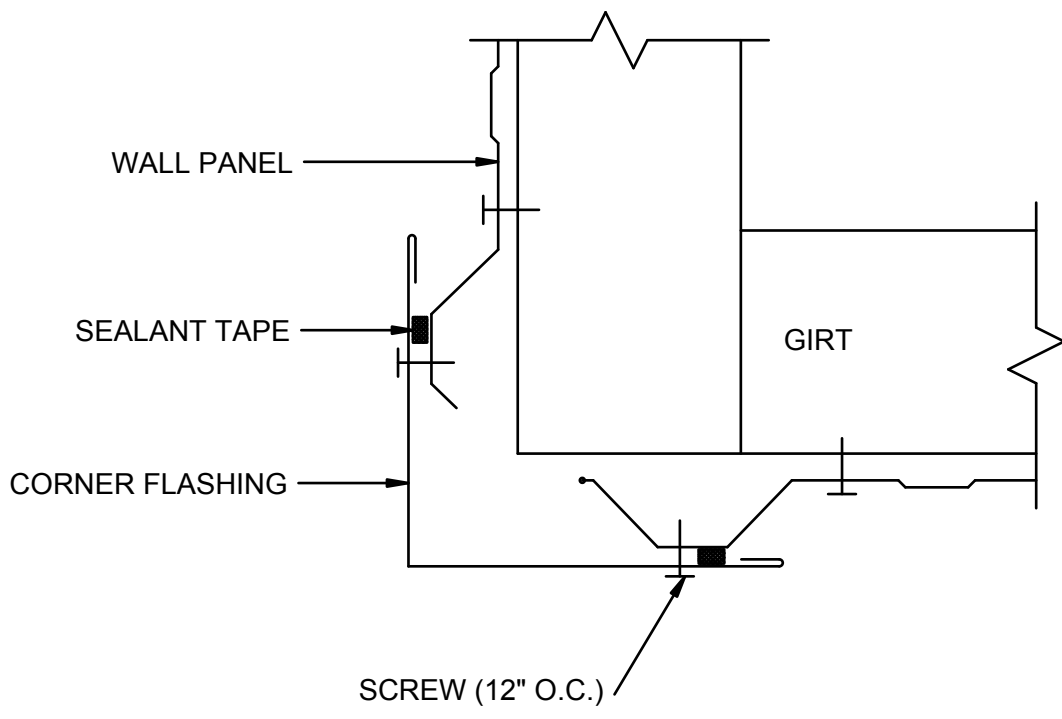


X = CALCULATED THERMAL MOVEMENT

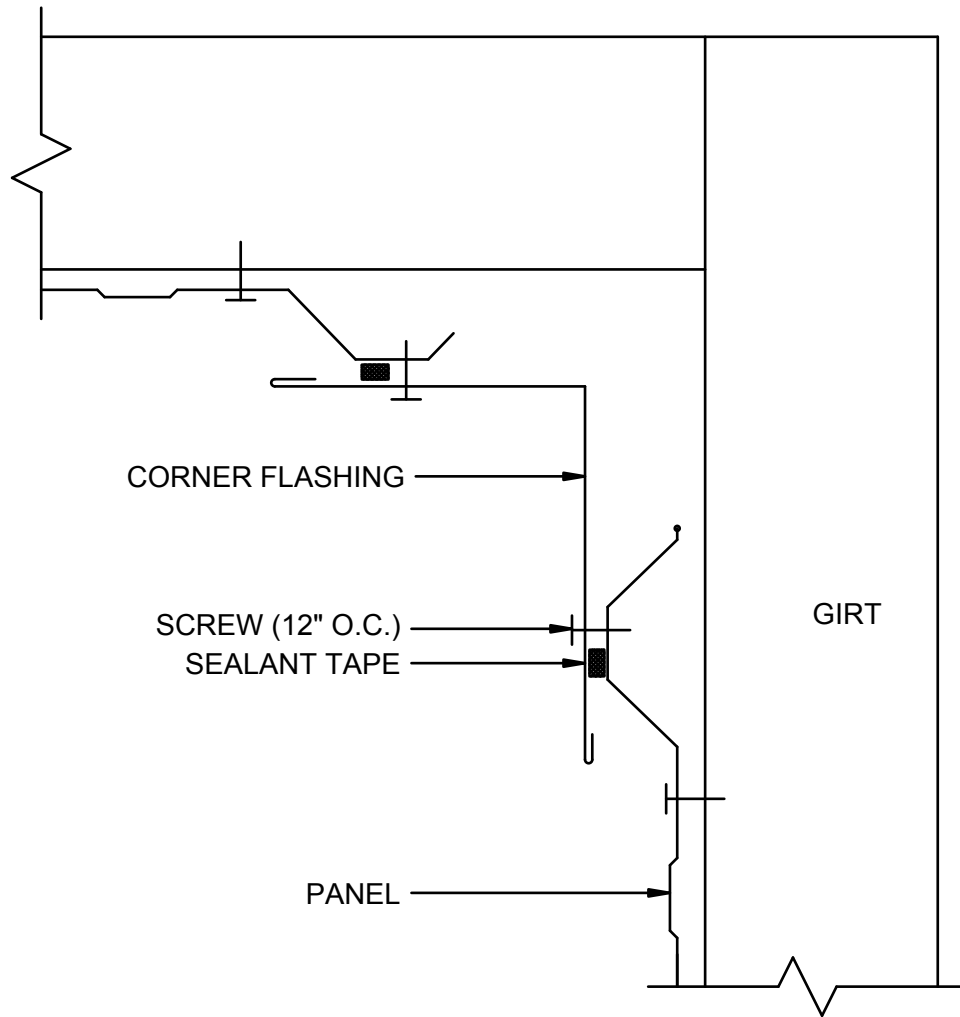
DIMENSIONS FOR SLIDING FLASHINGS

WALL EXPANSION JOINT

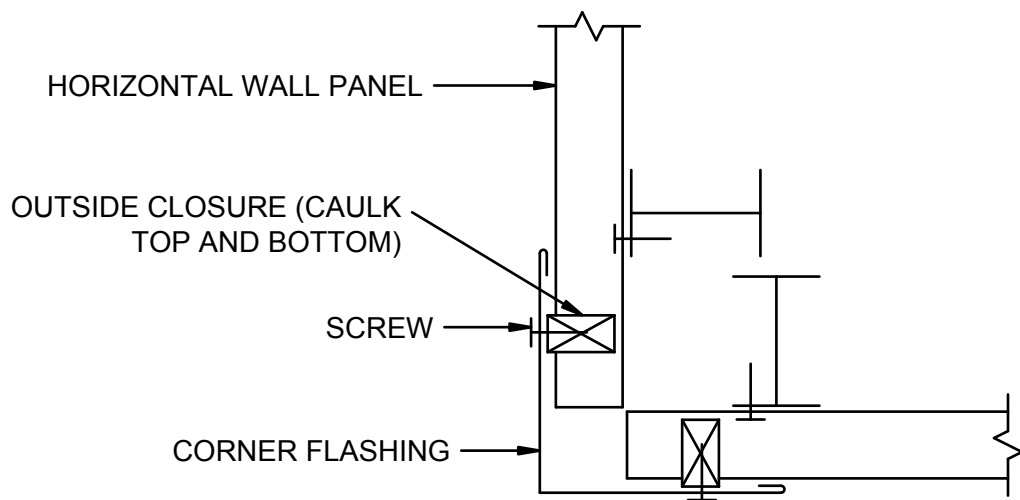




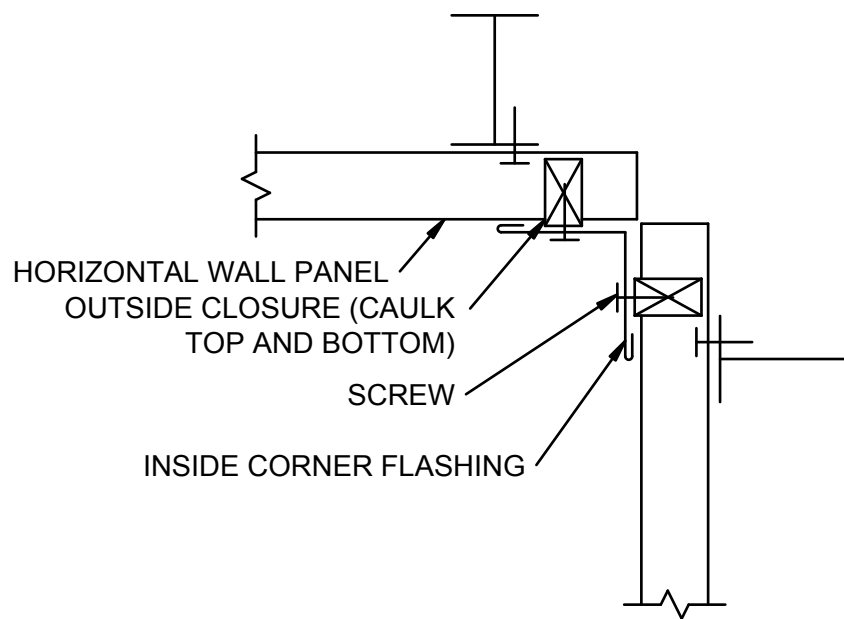
OUTSIDE CORNER WITH VERTICAL PANELS



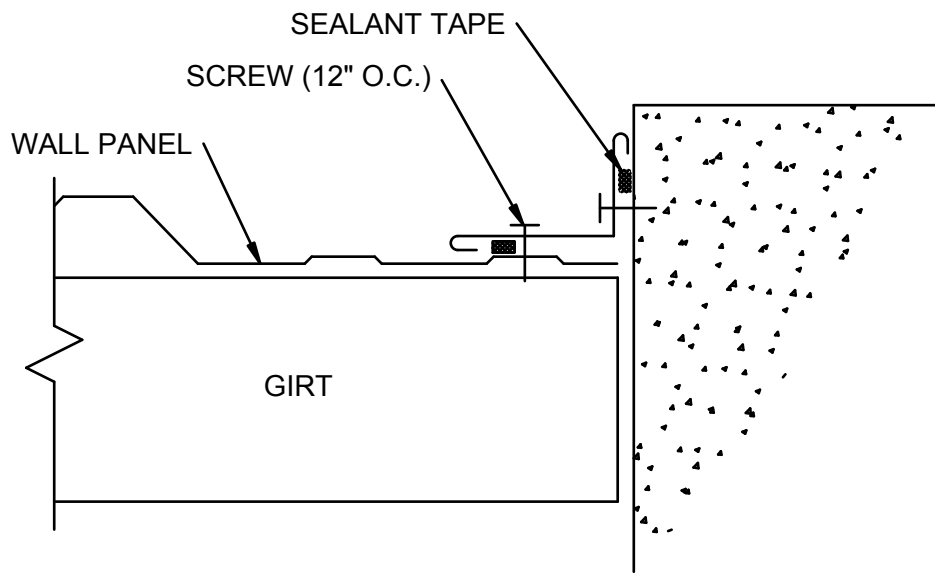
INSIDE CORNER WITH VERTICAL PANELS



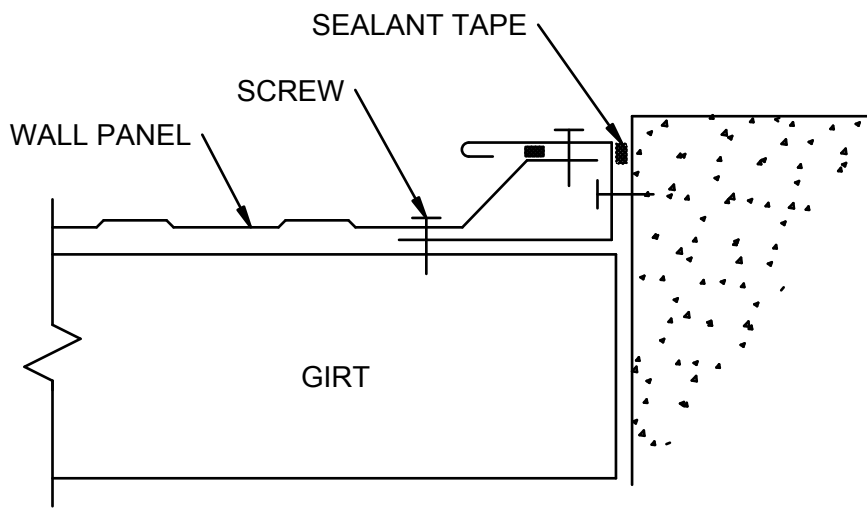
OUTSIDE CORNER WITH HORIZONTAL PANELS



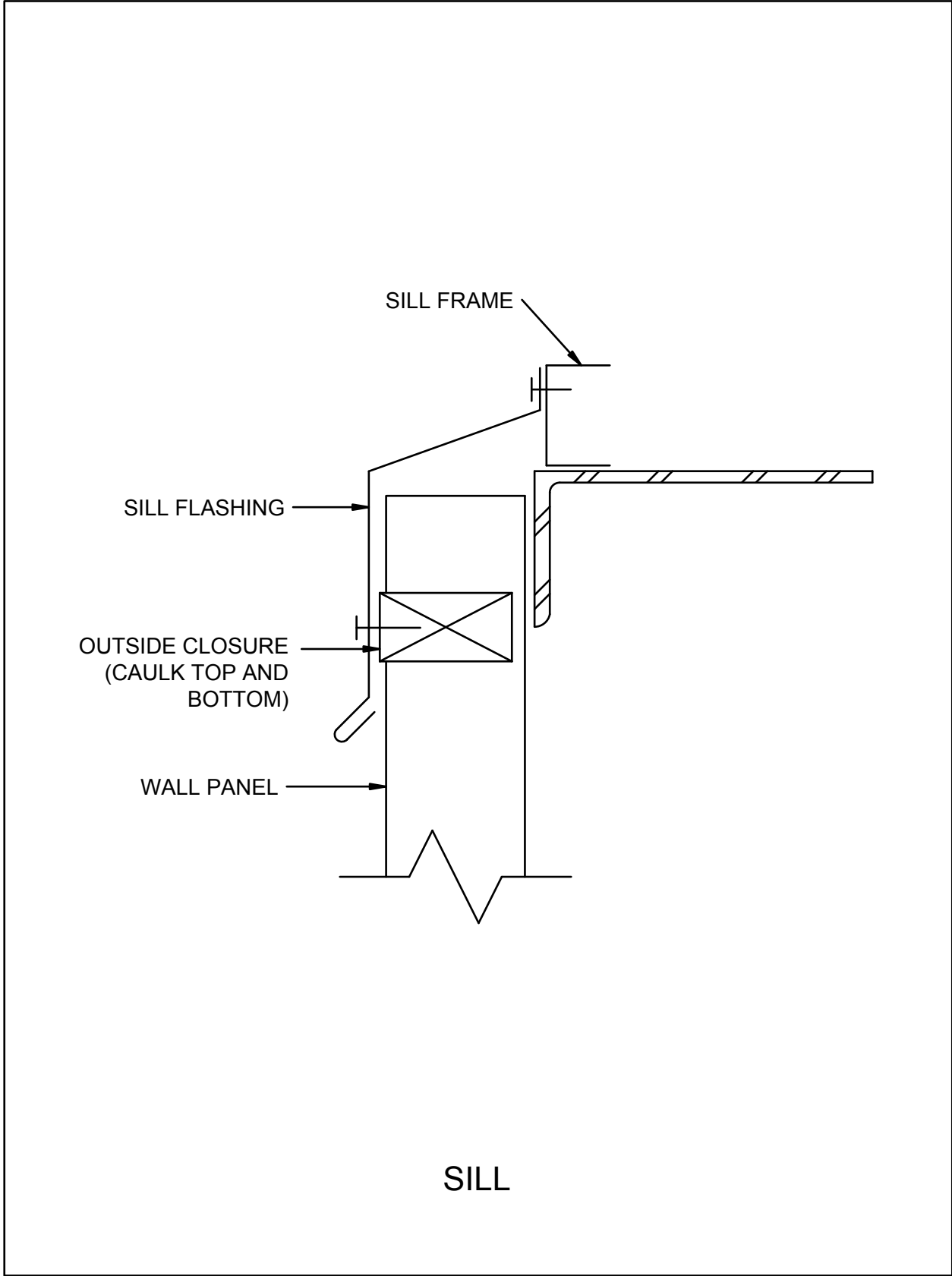
INSIDE CORNER WITH HORIZONTAL PANELS

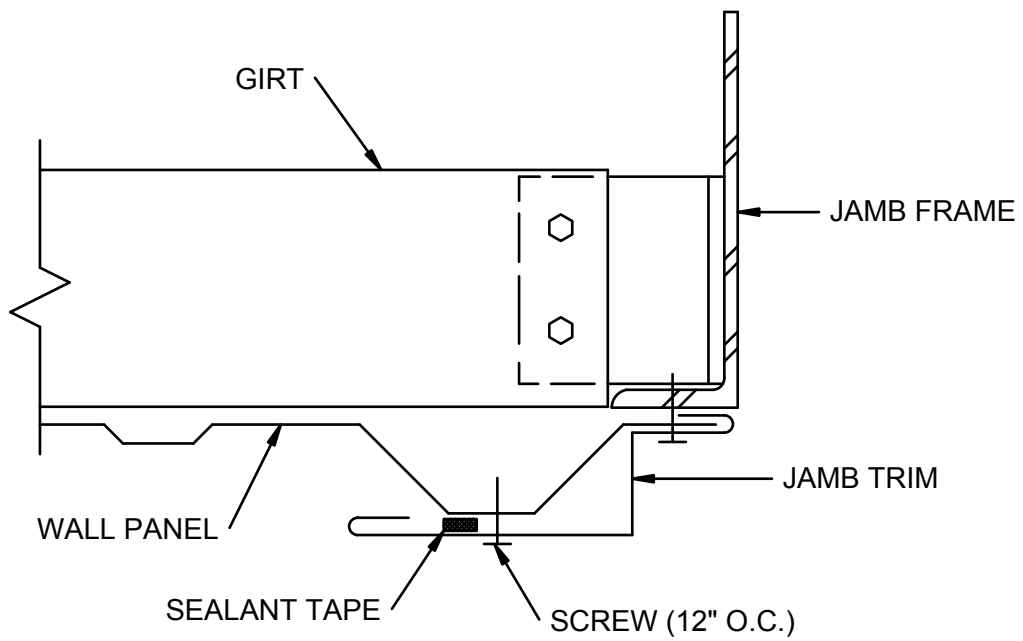


SIDEWALL (LOW)

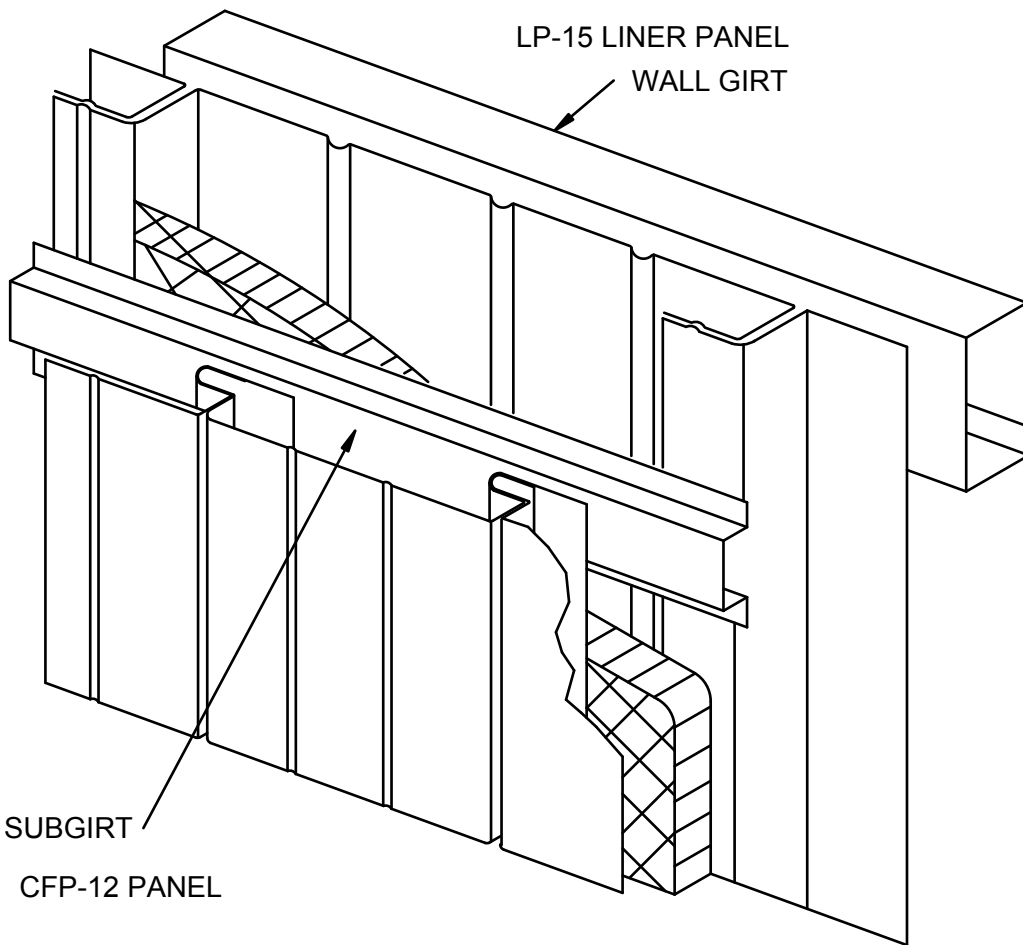


SIDEWALL (HIGH)

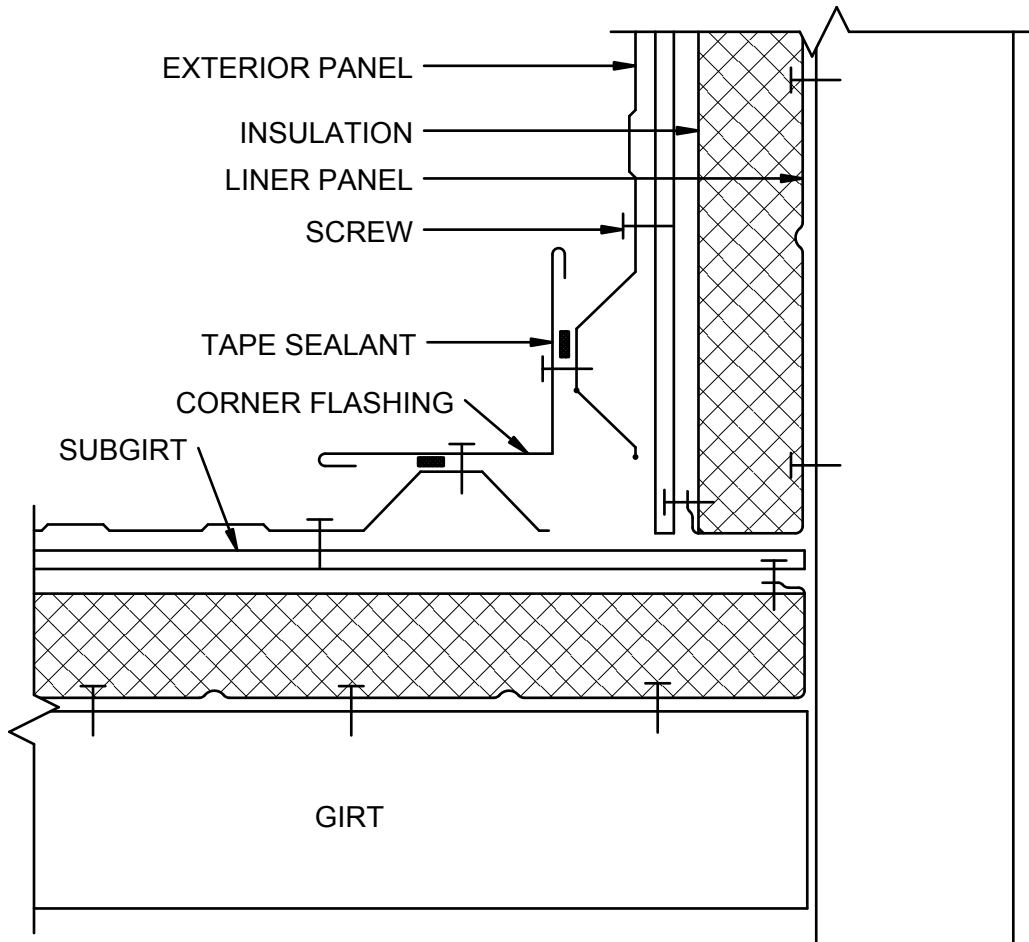




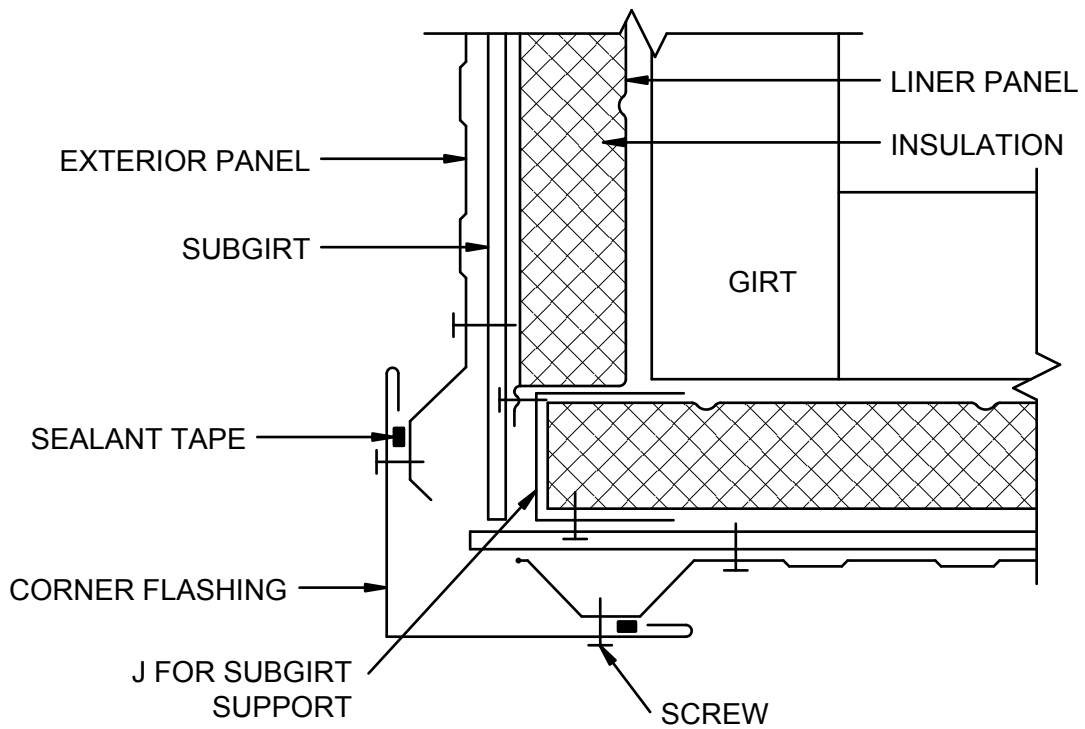
JAMB



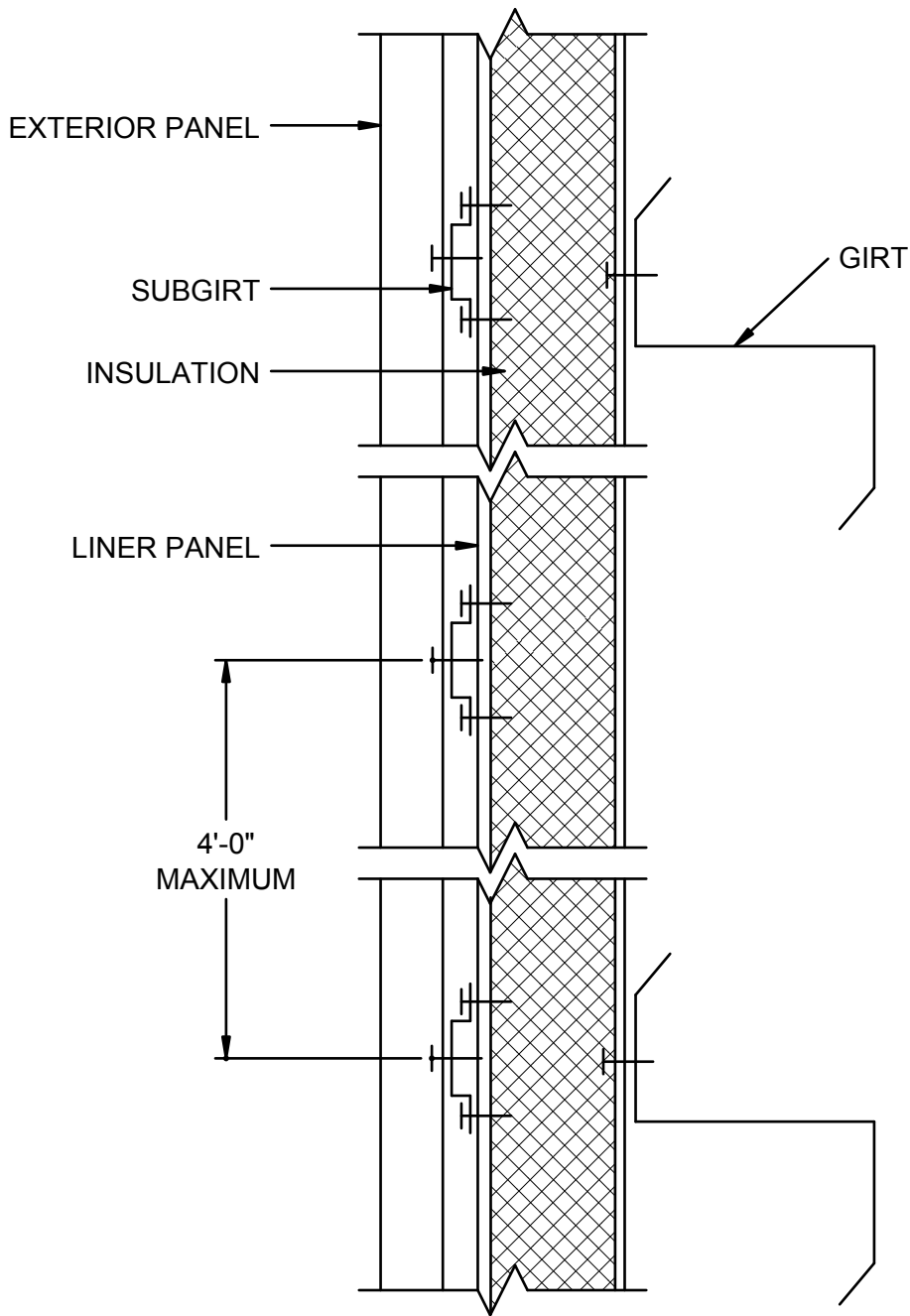
INSULATED WALL ASSEMBLY



INSIDE CORNER

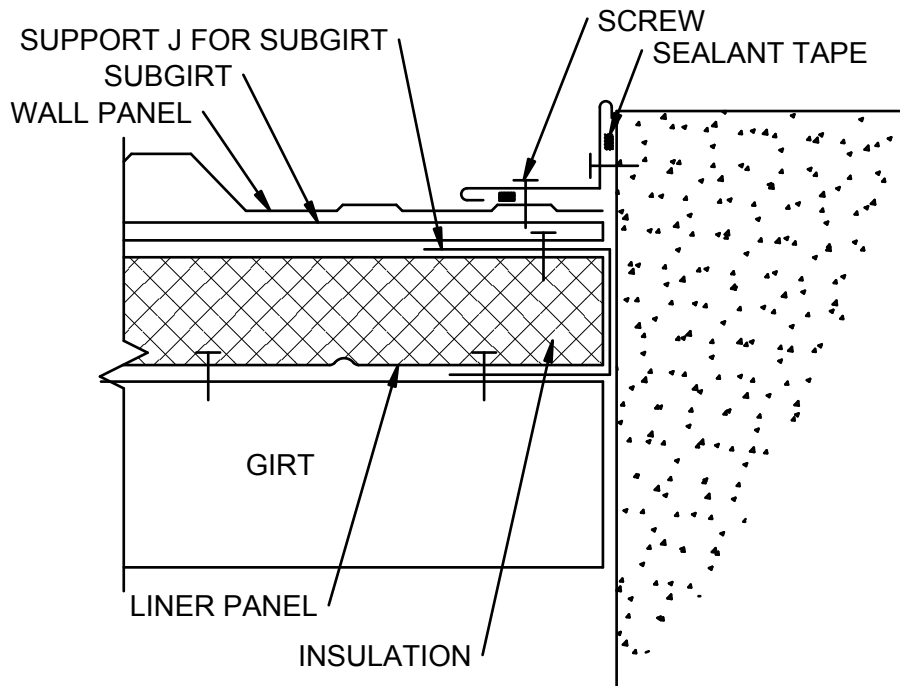


OUTSIDE CORNER

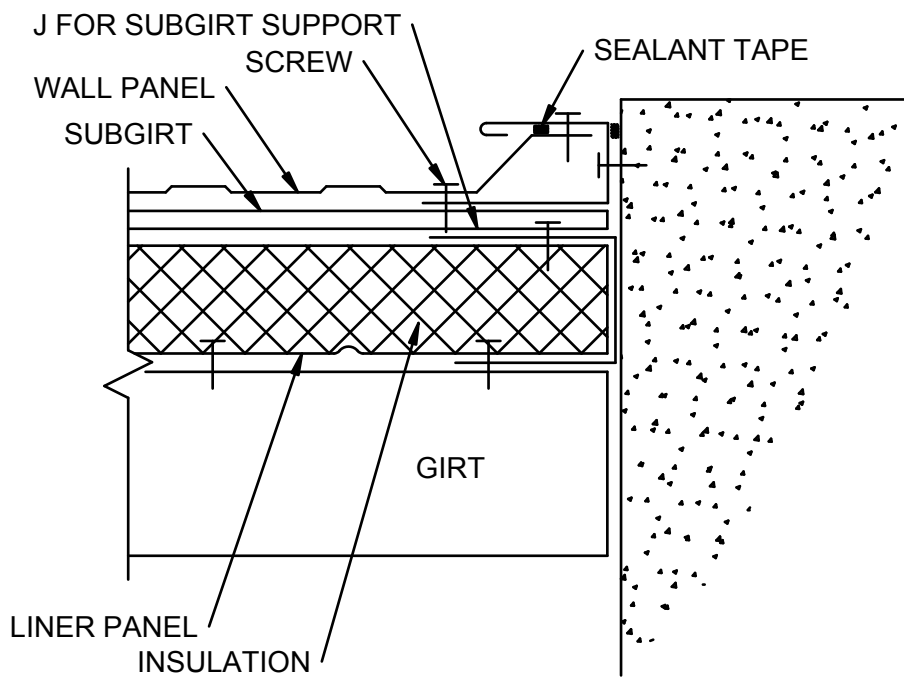


INSULATED WALL SECTION

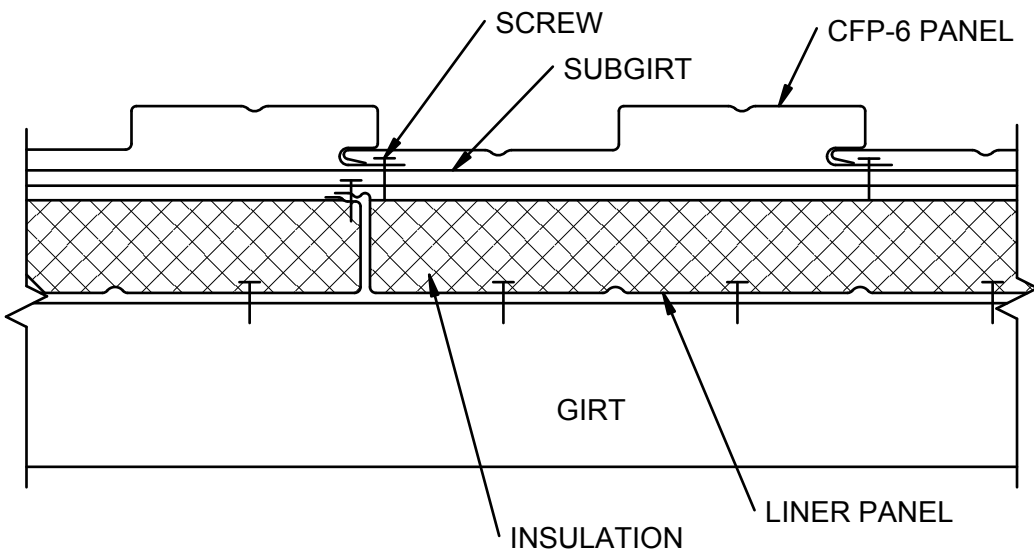
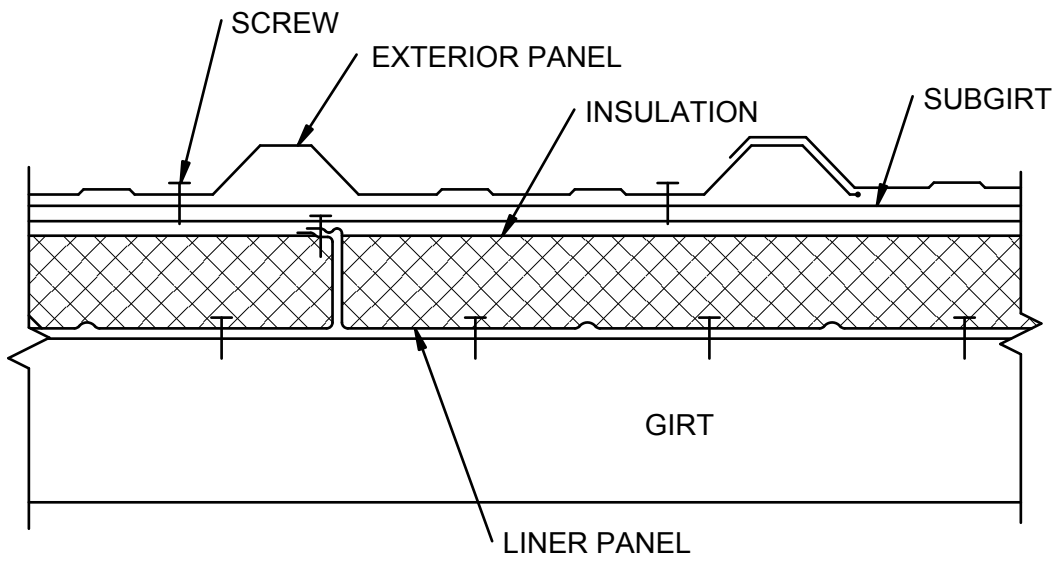
NOTE: SUBGIRTS MUST BE PLACED AT EACH MAIN GIRTS WITH AT LEAST ONE SUBGIRT BETWEEN MAIN GIRTS. MAXIMUM SUBGIRT SPACING IS 4'-0" O.C.



SIDEWALL (LOW)

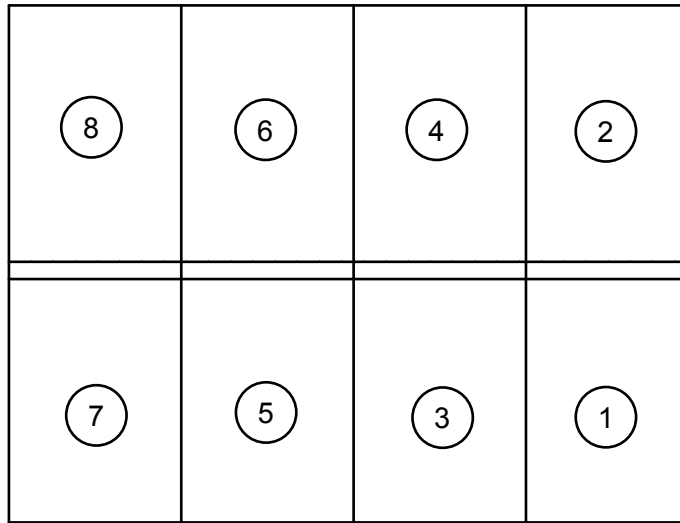


SIDEWALL (HIGH)



INSULATED WALL SECTIONS

PREVAILING WIND DIRECTION →

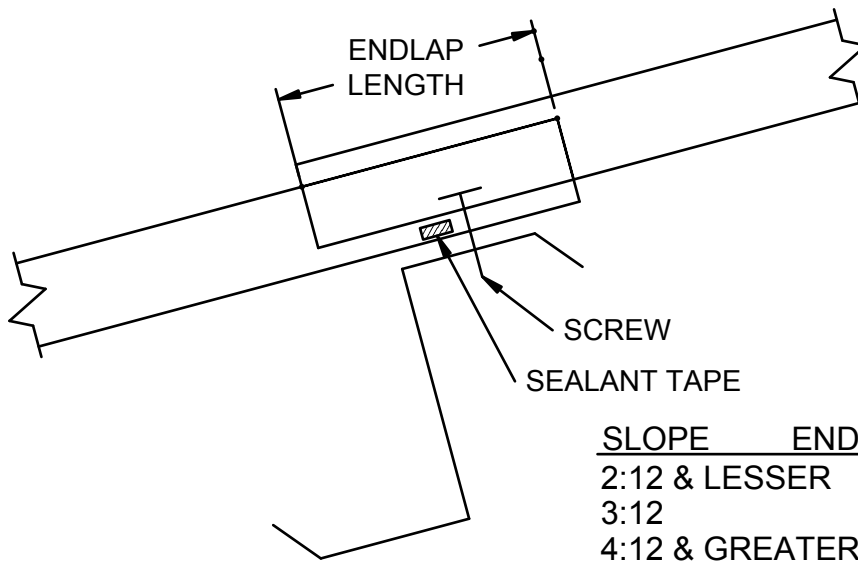


RIDGELINE

DOWNSLOPE ↓

EAVELINE

PANEL INSTALLATION SEQUENCE



SLOPE	ENDLAP LENGTH
2:12 & LESSER	12"
3:12	9"
4:12 & GREATER	6"

ENDLAP

MAINTENANCE INSTRUCTIONS FOR FABRAL'S METAL PANELS

- I. MAINTENANCE BY INSTALLER BEFORE LEAVING JOBSITE.
 - A. REMOVE METAL FILINGS from panels and flashings at the end of each day. Filings from drilling, grinding and cutting can start to rust overnight. At end of project, make final check for any filings. If rust spots have already appeared they can be removed with a non-abrasive cleaner. Do not use abrasive cleaners.
 - B. TOUCH-UP PAINT should be used on scratches, but should be used sparingly and applied with a small artist's brush. If scratches penetrate the zinc coating on galvanized material, a zinc rich primer should be applied in the scratch before the touch-up paint is applied.
 - C. CLEAN OR POWER WASH panels as necessary after completion of project. This includes removing excess unsightly caulking. Caulking can be removed with mineral spirits. Rinse residue with clean water.
 - D. REMOVE DEBRIS AND CRATING MATERIAL from the site.
- II. ROUTINE MAINTENANCE FOR METAL PANELS BY OWNER OR OWNER'S AGENT OVER LIFE OF BUILDING.
 - A. FILE ALL JOB RECORDS, including project plans, specifications, shop drawings, warranties (if any), etc., for future reference.
 - B. SET UP MAINTENANCE INSPECTION SCHEDULE. Metal panels normally require little maintenance, but to assure optimum serviceability, a routine inspection should be conducted at intervals no greater than once a year. NOTE: STEEP METAL ROOFS CAN BE SLIPPERY. A QUALIFIED METAL ROOFING CONTRACTOR MAY BE REQUIRED FOR ROOF INSPECTIONS.
 - C. KEEP GUTTERS AND DOWNSPOUTS CLEAR of debris that can impede water flow.
 - D. IMMEDIATELY REMOVE ANY VEGETATION OR DEBRIS that contacts metal panels. This includes tree branches, leaves, weeds, grass, etc.
 - E. CLEAN METAL PANELS as necessary with a 5% solution, in water, of commonly used commercial and industrial detergent. Use a cloth, soft bristle brush, or pressure washer. Rinse completely with water. When surfaces are dulled by heavy deposits of dirt or other contaminants, a heavy-duty, a cup of dry powdered laundry detergent (such as Tide) mixed with water may be used, followed by a water rinse. Mildew may be removed by a solution of a cup of dry powdered laundry detergent (such as Tide), a cup tri-sodium phosphate (such as Soilax), 1 quart sodium hypochlorite 5% solution (bleach), mixed with 3 quarts of water. (Note: do not use bleach on Galvalume-coated panels.) Tar, grease or oil may be removed by using denatured alcohol, isopropyl alcohol, or mineral spirits followed by a water rinse. Proceed with caution as aggressive cleaning with any of the above-described procedures may damage the coating and thus void any warranty.
 - F. REPAIR DAMAGE that may have occurred to panels with caulking, touch-up paint, etc.
 - G. CORRECT ANY SIGNS OF CORROSION OR DETERIORATION as necessary.
- III. ADDITIONAL ROUTINE MAINTENANCE FOR METAL PANELS.
 - A. ELIMINATE ANY CONDITIONS THAT ARE CAUSING WATER TO POND AND ACCUMULATE on panels.
 - B. RESEAL CURBS, GUTTERS, FLASHINGS, CLOSURES, PENETRATIONS, ETC. as necessary to maintain the weathertightness of the system. Typically, a non-acid cured silicone caulk or a one part polyurethane sealant (such as Sikaflex 201) is best for such repairs. The owner may wish to hire a qualified, experienced metal contractor for these repairs.
 - C. REMOVE SALT DEPOSITS by a fresh water rinse in salt spray areas.