

Project:	
Contractor:	

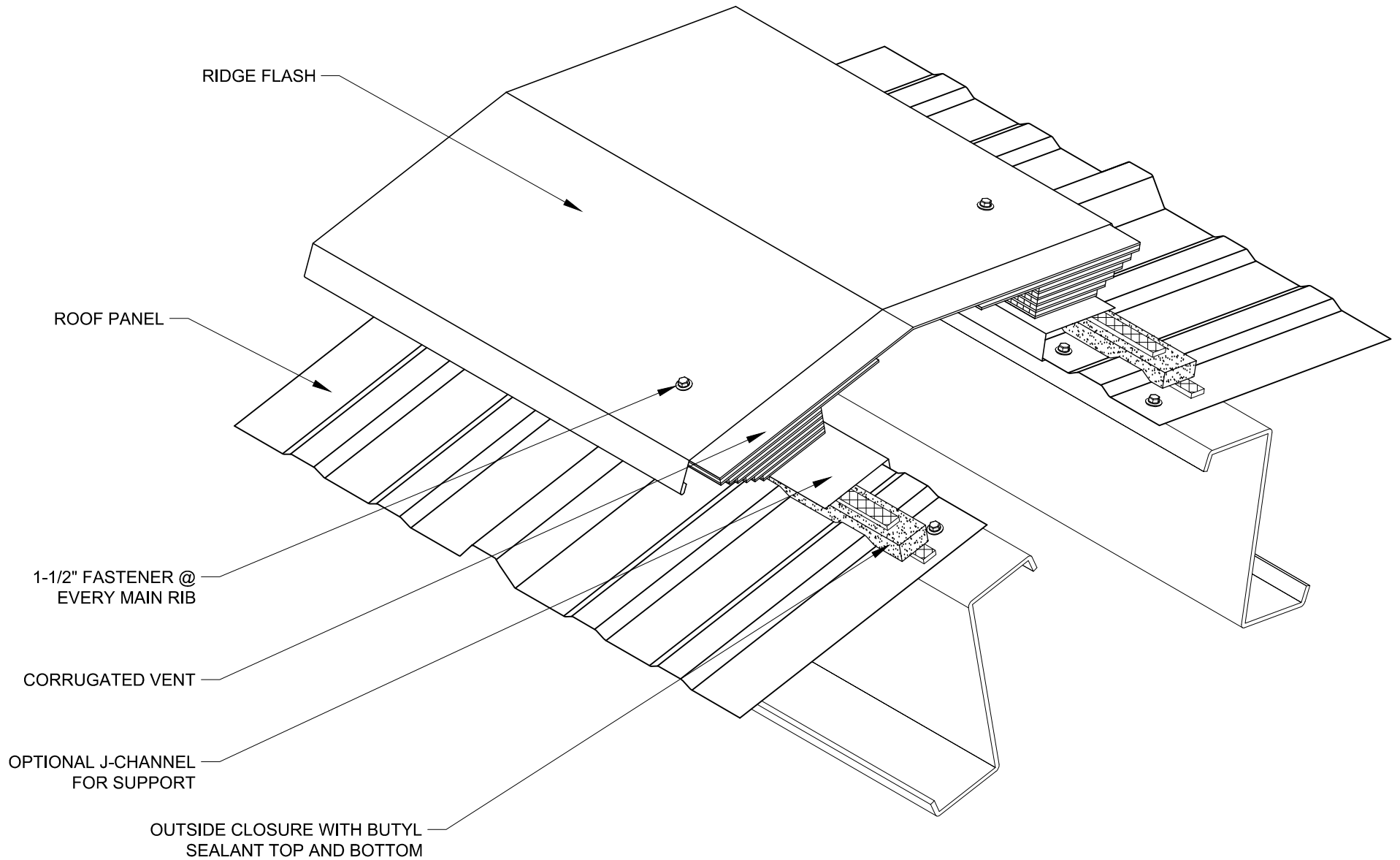
THIS DRAWING IS THE PROPERTY OF FABRAL, INC. THE USE OF THIS DRAWING WITHOUT THE EXPRESS PERMISSION OF FABRAL IS PROHIBITED.

FABRAL, INC.
 3449 Hempland Road
 Lancaster, PA 17601
 800-477-2741

RIDGE (UNVENTED)

INDUSTRIAL PANEL

Issued:



Project:

Contractor:

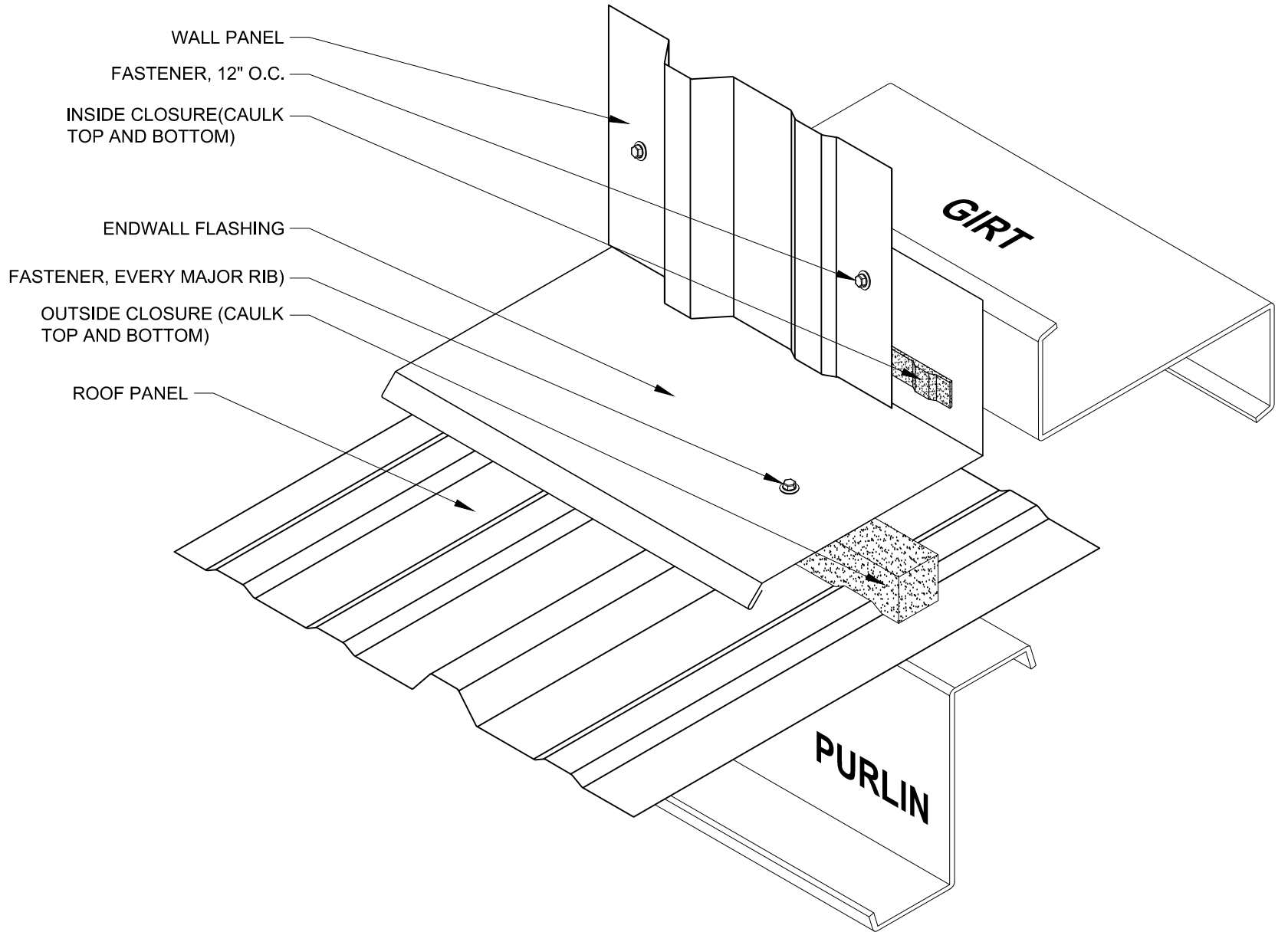
THIS DRAWING IS THE PROPERTY OF FABRAL, INC. THE USE OF THIS DRAWING WITHOUT THE EXPRESS PERMISSION OF FABRAL IS PROHIBITED.

FABRAL, INC.
 3449 Hempland Road
 Lancaster, PA 17601
 800-477-2741

RIDGE (VENTED)

INDUSTRIAL PANEL

Issued:



Project:

Contractor:

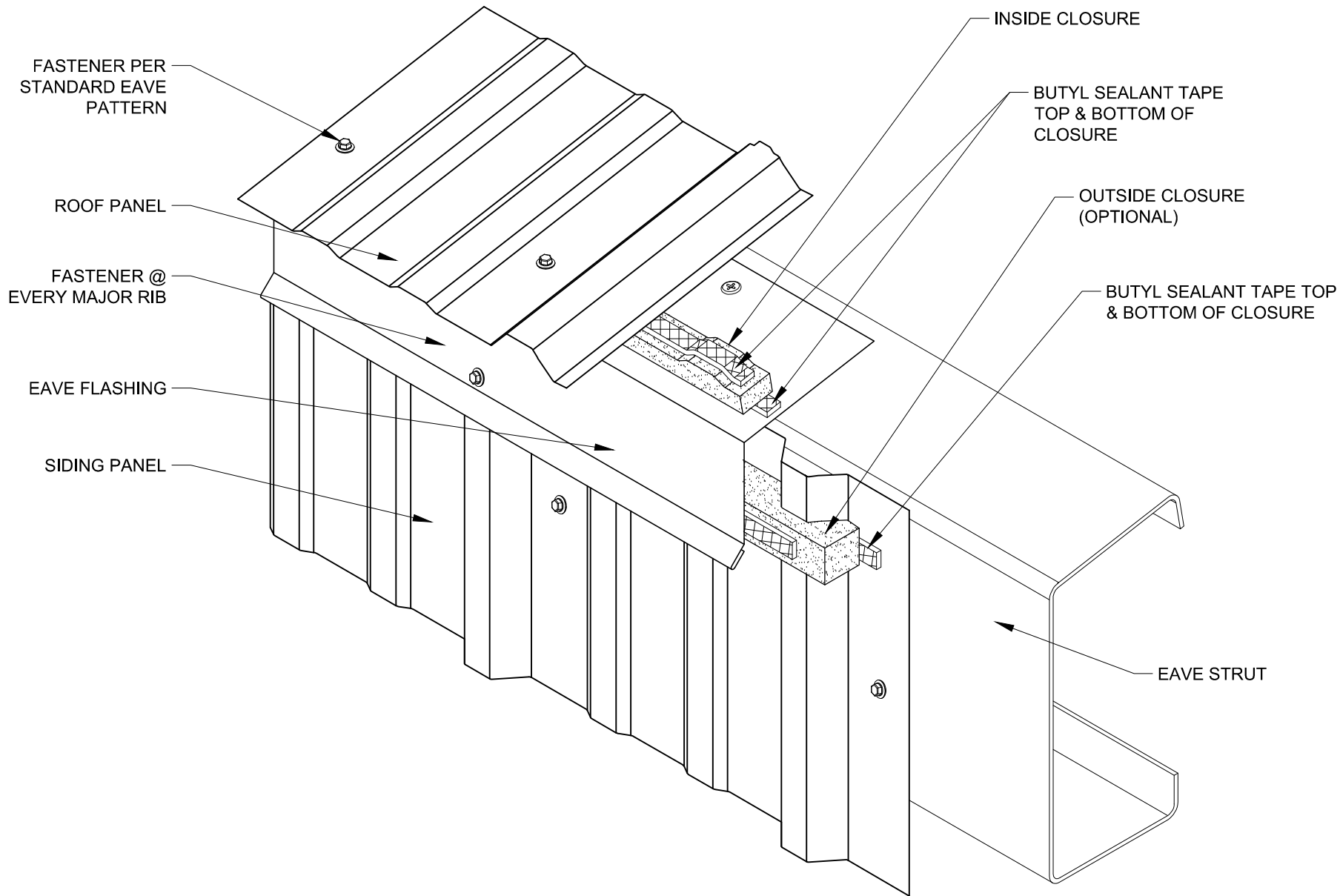
THIS DRAWING IS THE
PROPERTY OF FABRAL,
INC. THE USE OF THIS
DRAWING WITHOUT THE
EXPRESS PERMISSION OF
FABRAL IS PROHIBITED.

FABRAL, INC.
3449 Hempland Road
Lancaster, PA 17601
800-477-2741

ENDWALL

INDUSTRIAL PANEL

Issued:
APRIL 2012



Project:

Contractor:

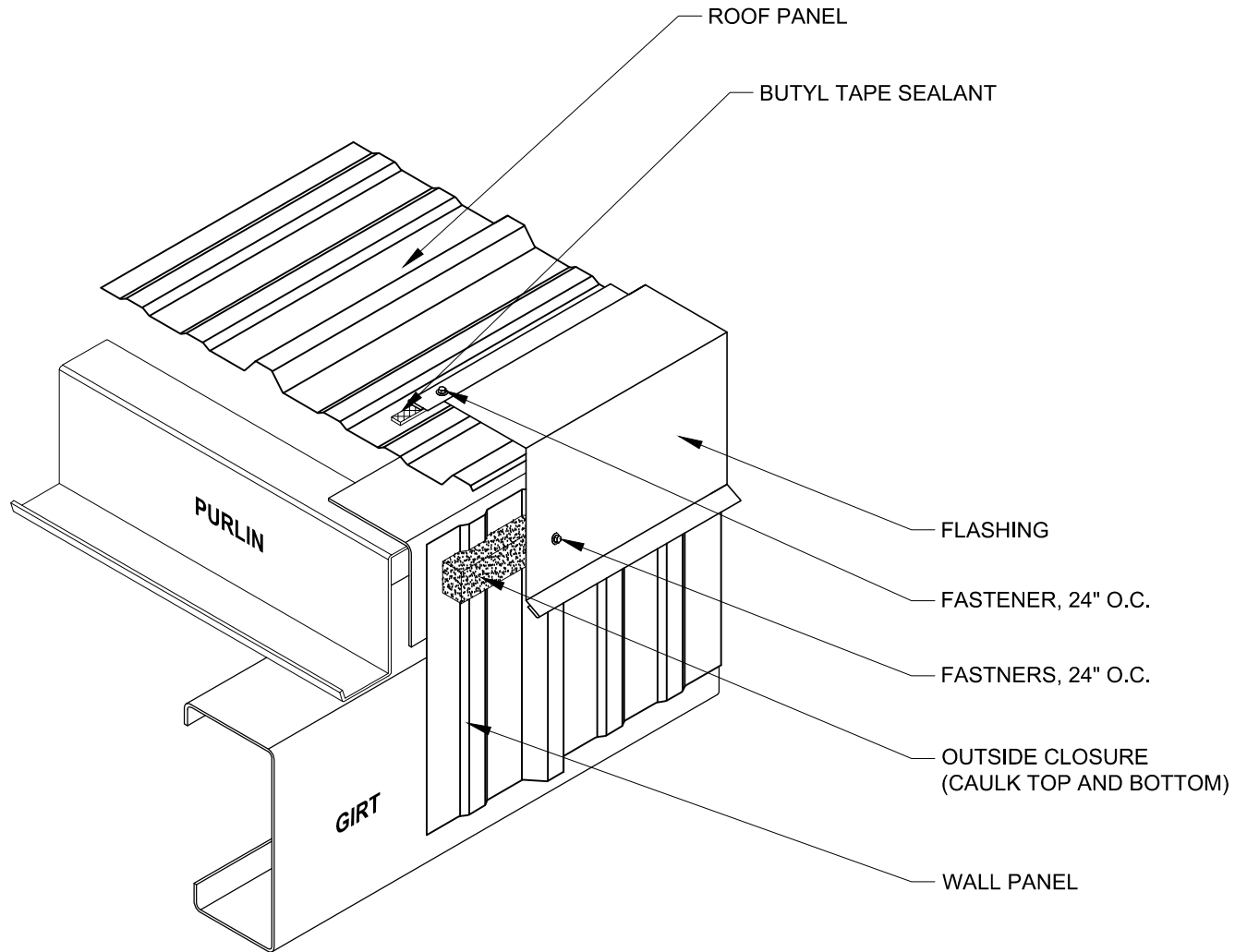
EAVE WITHOUT GUTTER

THIS DRAWING IS THE PROPERTY OF FABRAL, INC. THE USE OF THIS DRAWING WITHOUT THE EXPRESS PERMISSION OF FABRAL IS PROHIBITED.

FABRAL, INC.
 3449 Hempland Road
 Lancaster, PA 17601
 800-477-2741

Issued:
 APRIL 2012

INDUSTRIAL PANEL



Project:

Contractor:

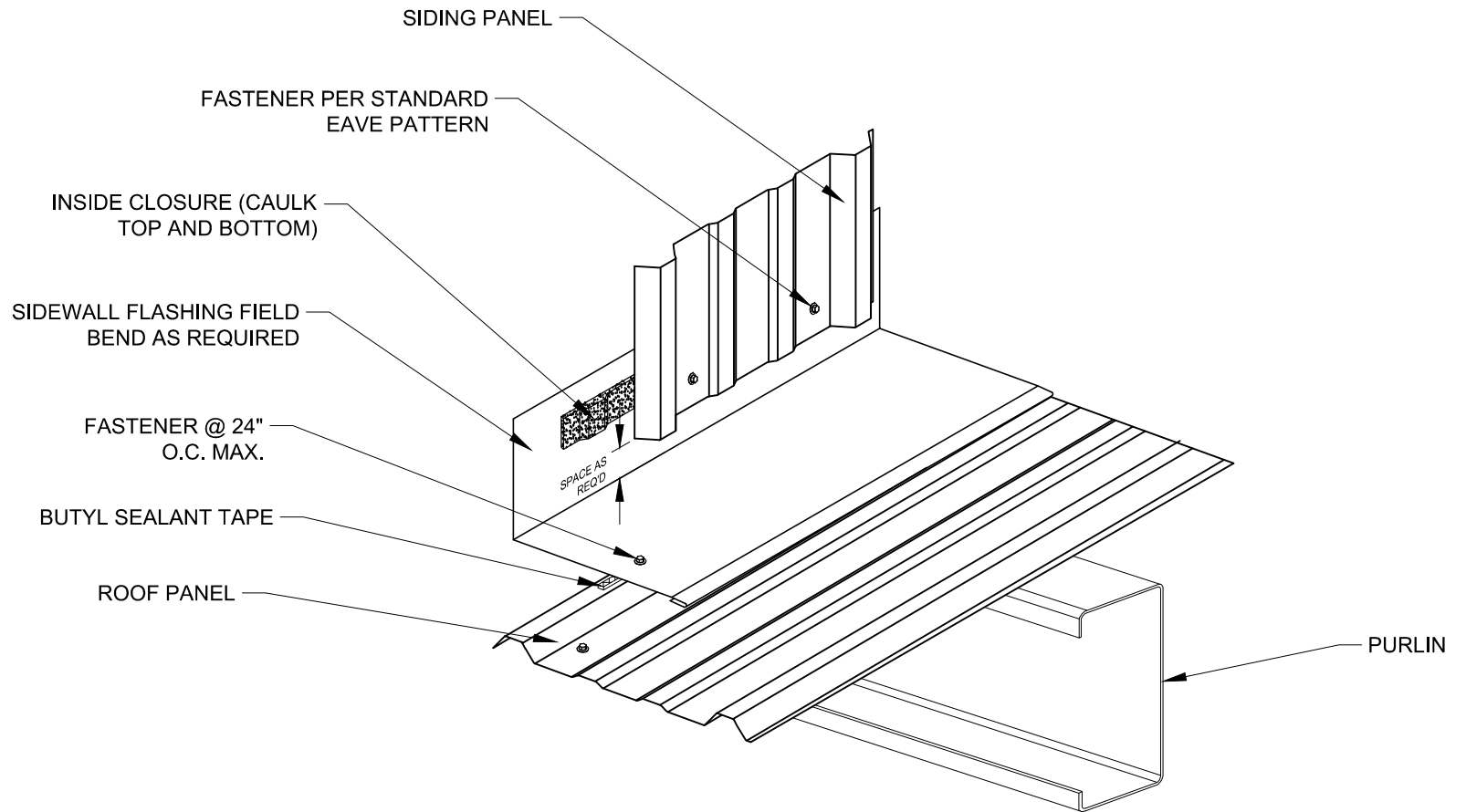
THIS DRAWING IS THE
PROPERTY OF FABRAL,
INC. THE USE OF THIS
DRAWING WITHOUT THE
EXPRESS PERMISSION OF
FABRAL IS PROHIBITED.

FABRAL, INC.
3449 Hempland Road
Lancaster, PA 17601
800-477-2741

GABLE

INDUSTRIAL PANEL

Issued:
APRIL 2012



Project:
Contractor:
SIDEWALL

THIS DRAWING IS THE PROPERTY OF FABRAL, INC. THE USE OF THIS DRAWING WITHOUT THE EXPRESS PERMISSION OF FABRAL IS PROHIBITED.

FABRAL, INC.
 3449 Hempland Road
 Lancaster, PA 17601
 800-477-2741

Issued:

SCREW; PLACE BEHIND CAULK, SPACE 4"
O.C. MAX. IN PANEL PROFILE VALLEYS

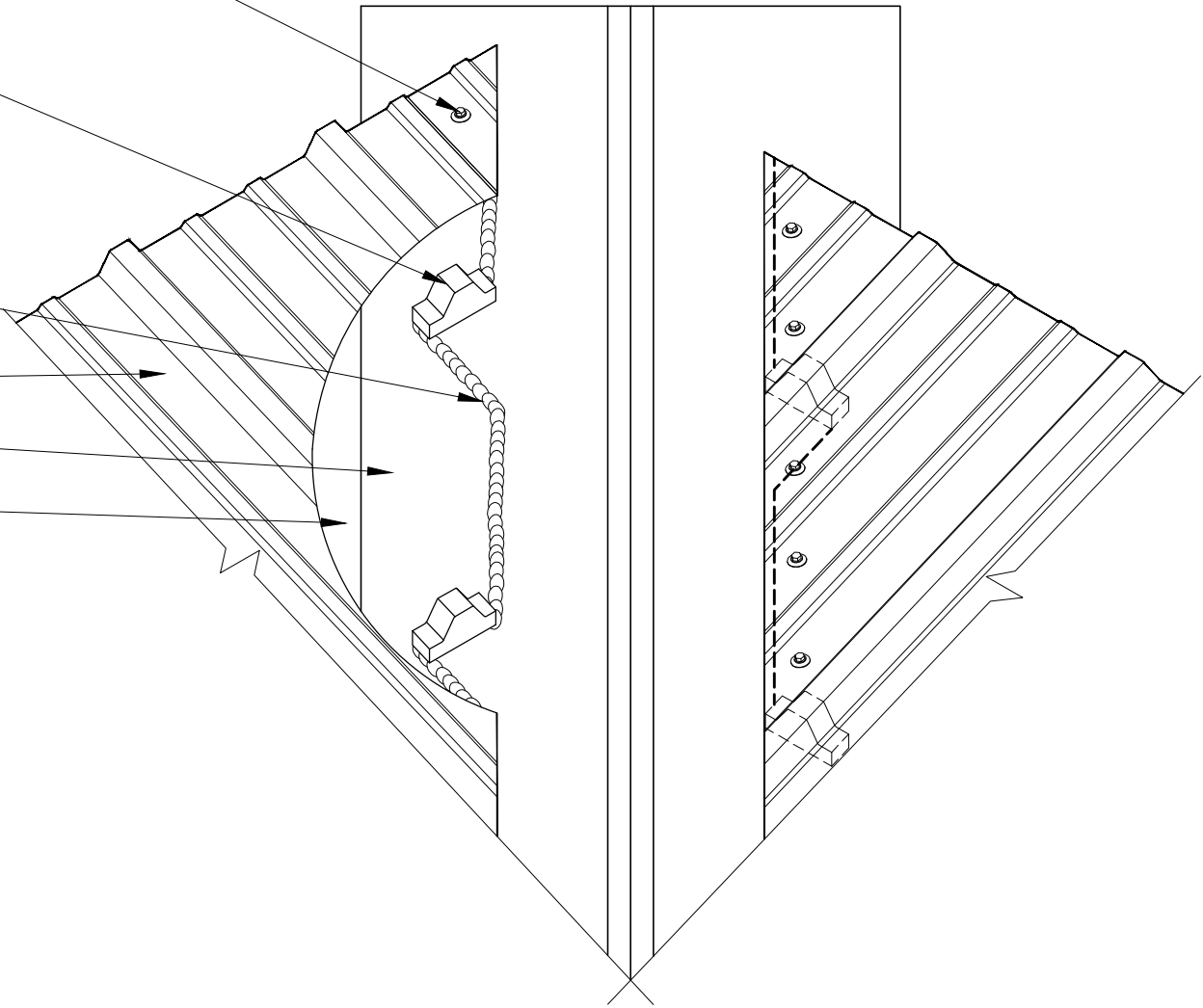
INSIDE CLOSURE SECTION; CAULK TOP
AND BOTTOM; SET SQUARELY IN
CORRUGATION

CAULK TO CONNECT CLOSURE
SECTIONS

PANEL

VALLEY FLASHING

PEEL AND STICK MEMBRANE ON
TOP OF VALLEY SUPPORT



Project:

Contractor:

THIS DRAWING IS THE
PROPERTY OF FABRAL,
INC. THE USE OF THIS
DRAWING WITHOUT THE
EXPRESS PERMISSION OF
FABRAL IS PROHIBITED.

FABRAL, INC.
3449 Hempland Road
Lancaster, PA 17601
800-477-2741

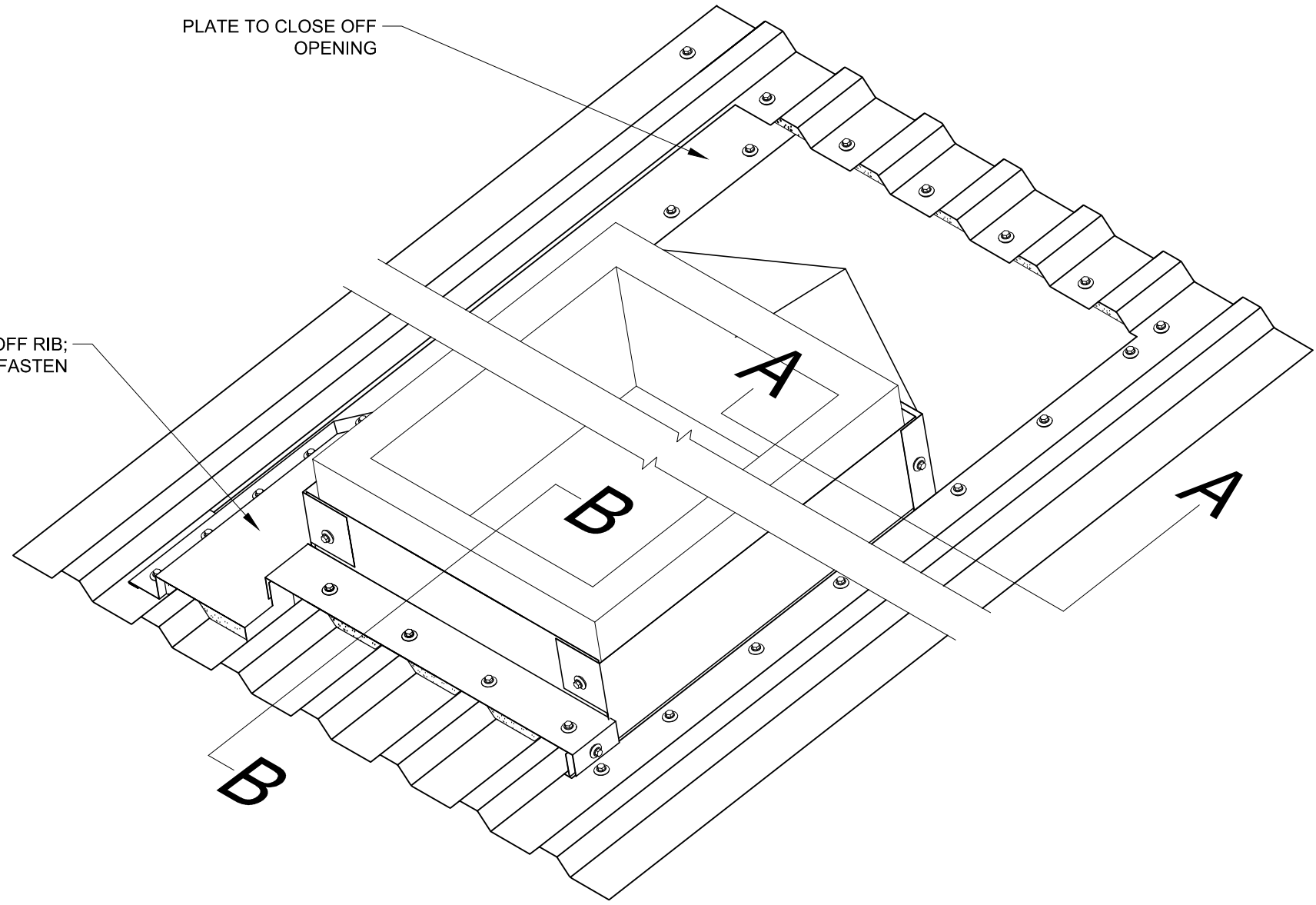
VALLEY

INDUSTRIAL PANEL

Issued:
APRIL 2012

PLATE TO CLOSE OFF
OPENING

DIVERTER TO CLOSE OFF RIB;
SEAL & FASTEN



Project:

Contractor:

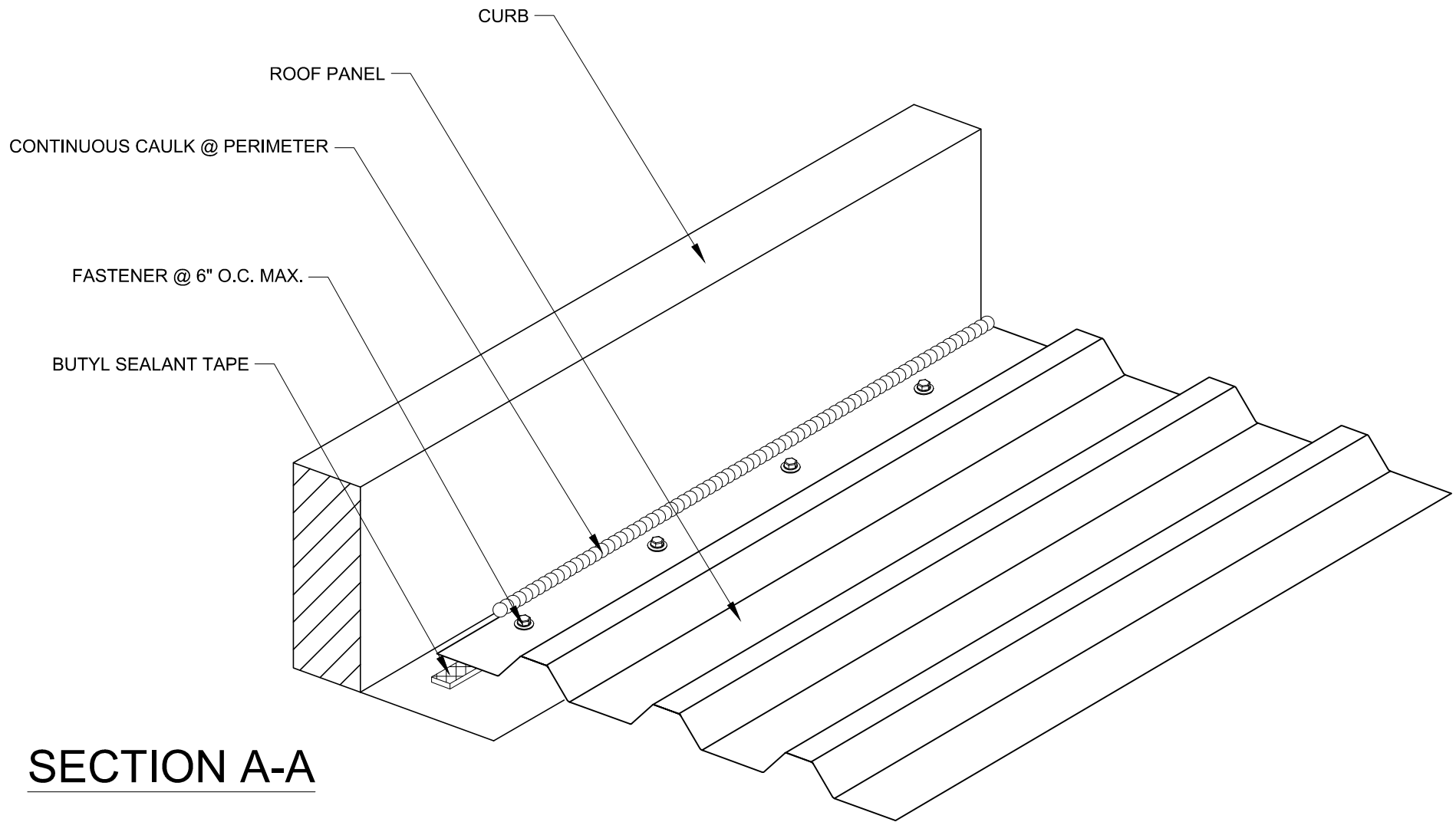
THIS DRAWING IS THE
PROPERTY OF FABRAL,
INC. THE USE OF THIS
DRAWING WITHOUT THE
EXPRESS PERMISSION OF
FABRAL IS PROHIBITED.

FABRAL, INC.
3449 Hempland Road
Lancaster, PA 17601
800-477-2741

PENETRATION

INDUSTRIAL PANEL

Issued:
APRIL 2012



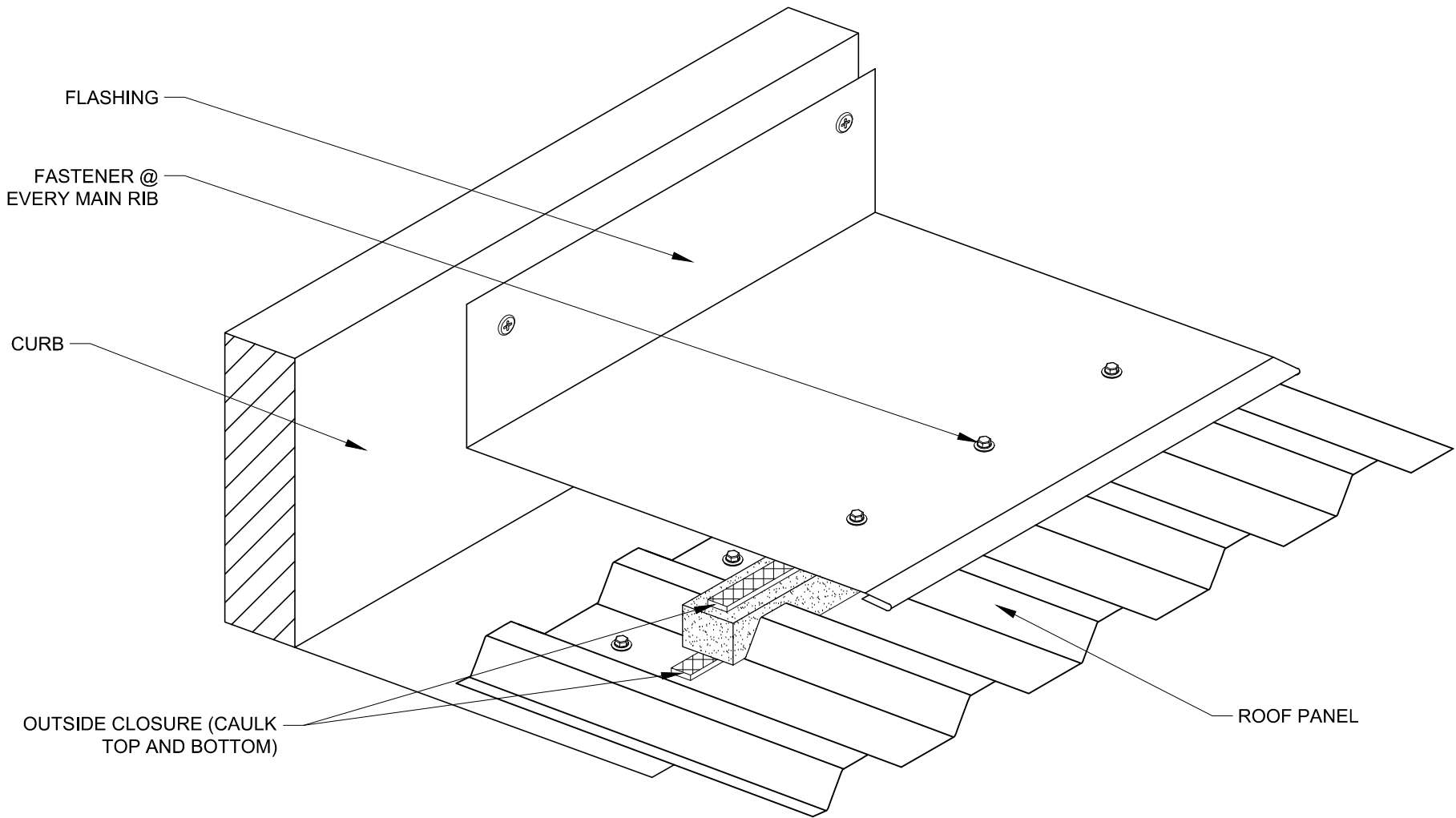
SECTION A-A

Project:
Contractor:
PENETRATION: SECTION A-A

THIS DRAWING IS THE
 PROPERTY OF FABRAL,
 INC. THE USE OF THIS
 DRAWING WITHOUT THE
 EXPRESS PERMISSION OF
 FABRAL IS PROHIBITED.

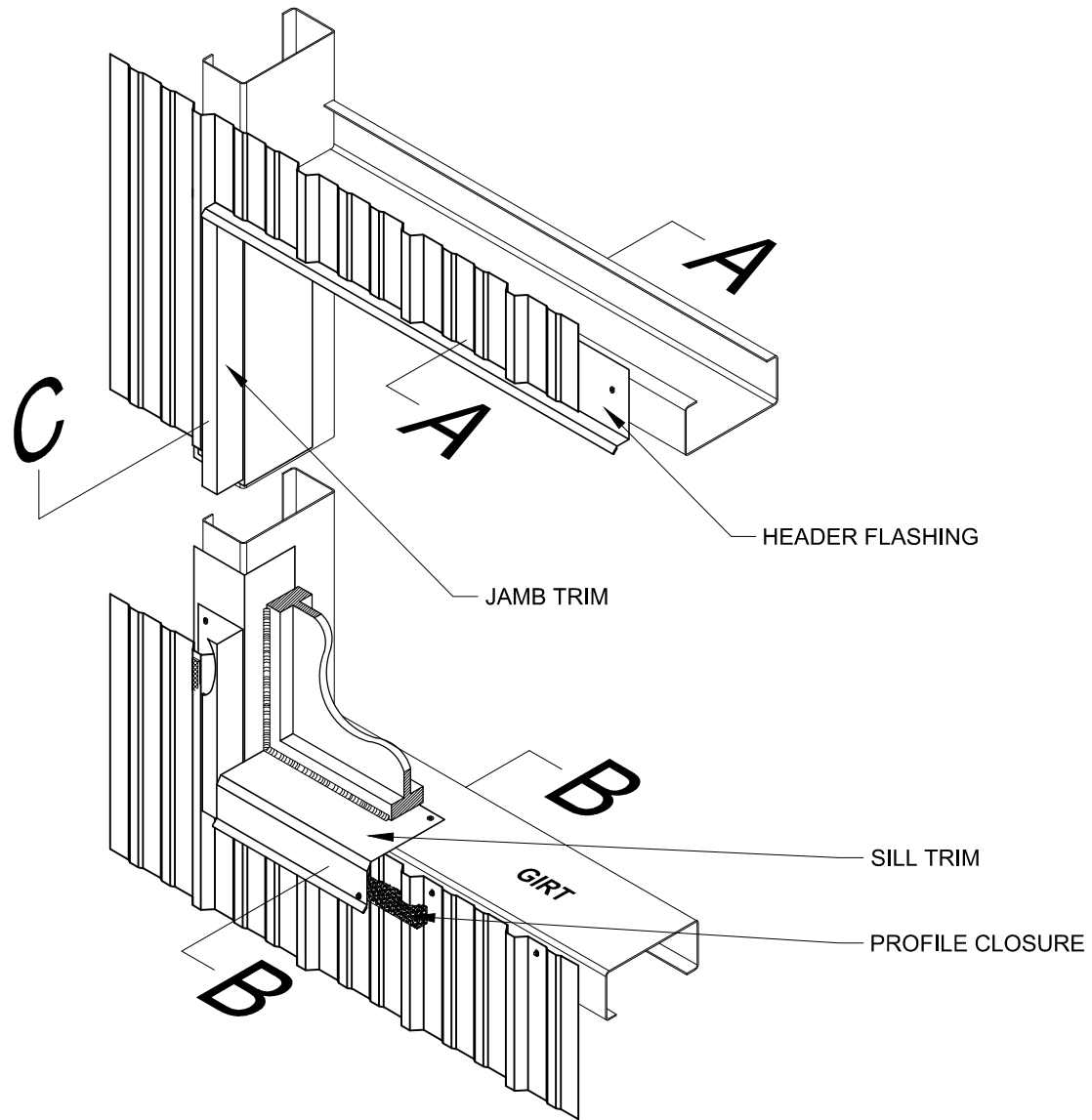
FABRAL, INC.
 3449 Hempland Road
 Lancaster, PA 17601
 800-477-2741

Issued:
 APRIL 2012



SECTION B-B

	Project:	THIS DRAWING IS THE PROPERTY OF FABRAL, INC. THE USE OF THIS DRAWING WITHOUT THE EXPRESS PERMISSION OF FABRAL IS PROHIBITED.	FABRAL, INC. 3449 Hempland Road Lancaster, PA 17601 800-477-2741
	Contractor:		
	PENETRATION: SECTION B-B	INDUSTRIAL PANEL	Issued: APRIL 2012



Project:

Contractor:

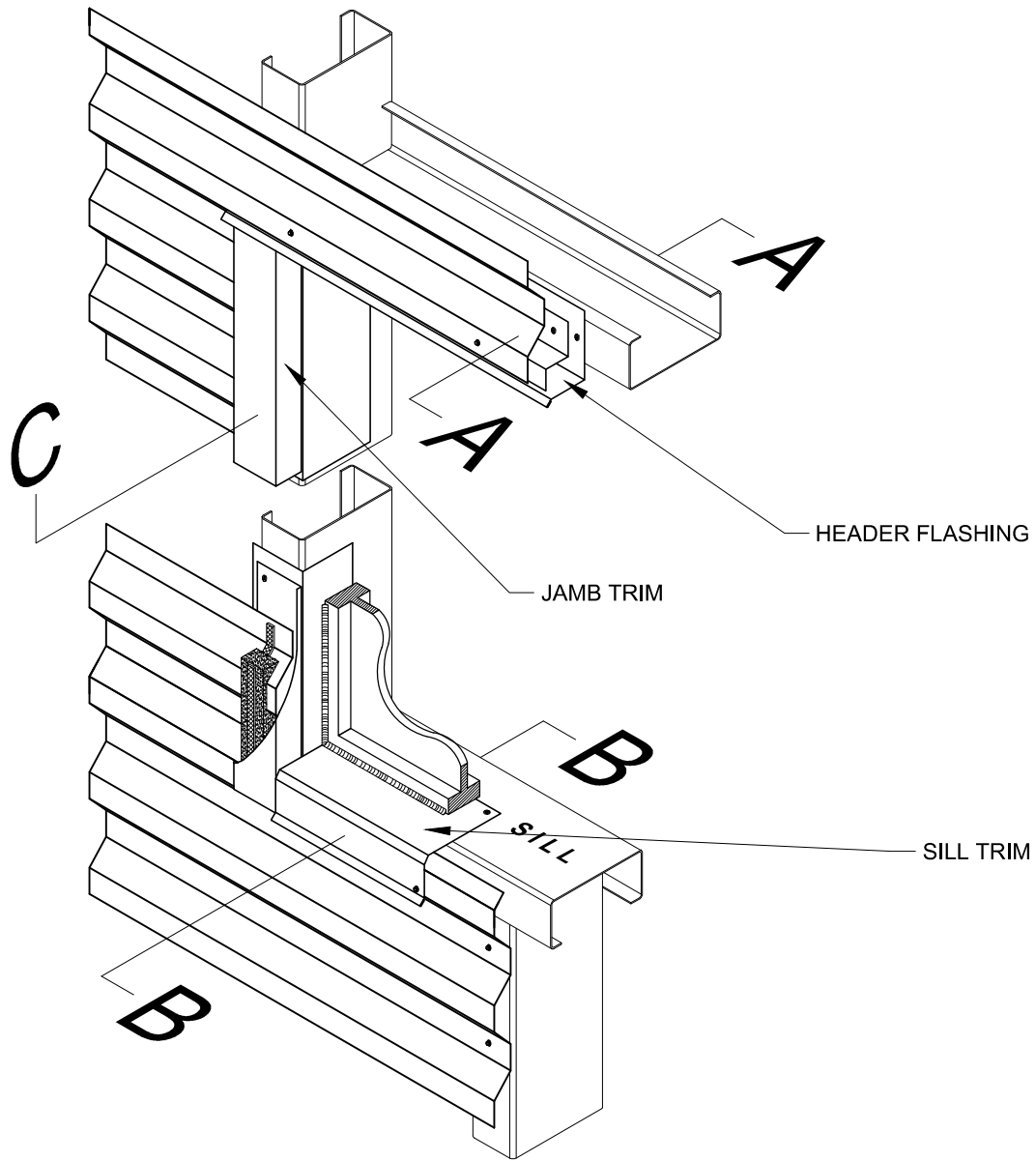
THIS DRAWING IS THE PROPERTY OF FABRAL, INC. THE USE OF THIS DRAWING WITHOUT THE EXPRESS PERMISSION OF FABRAL IS PROHIBITED.

FABRAL, INC.
 3449 Hempland Road
 Lancaster, PA 17601
 800-477-2741

UNINSULATED VERTICAL WALL SECTION

INDUSTRIAL PANEL

Issued:
 APRIL 2012



Project:

Contractor:

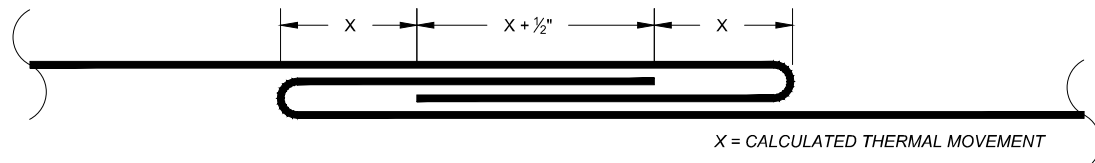
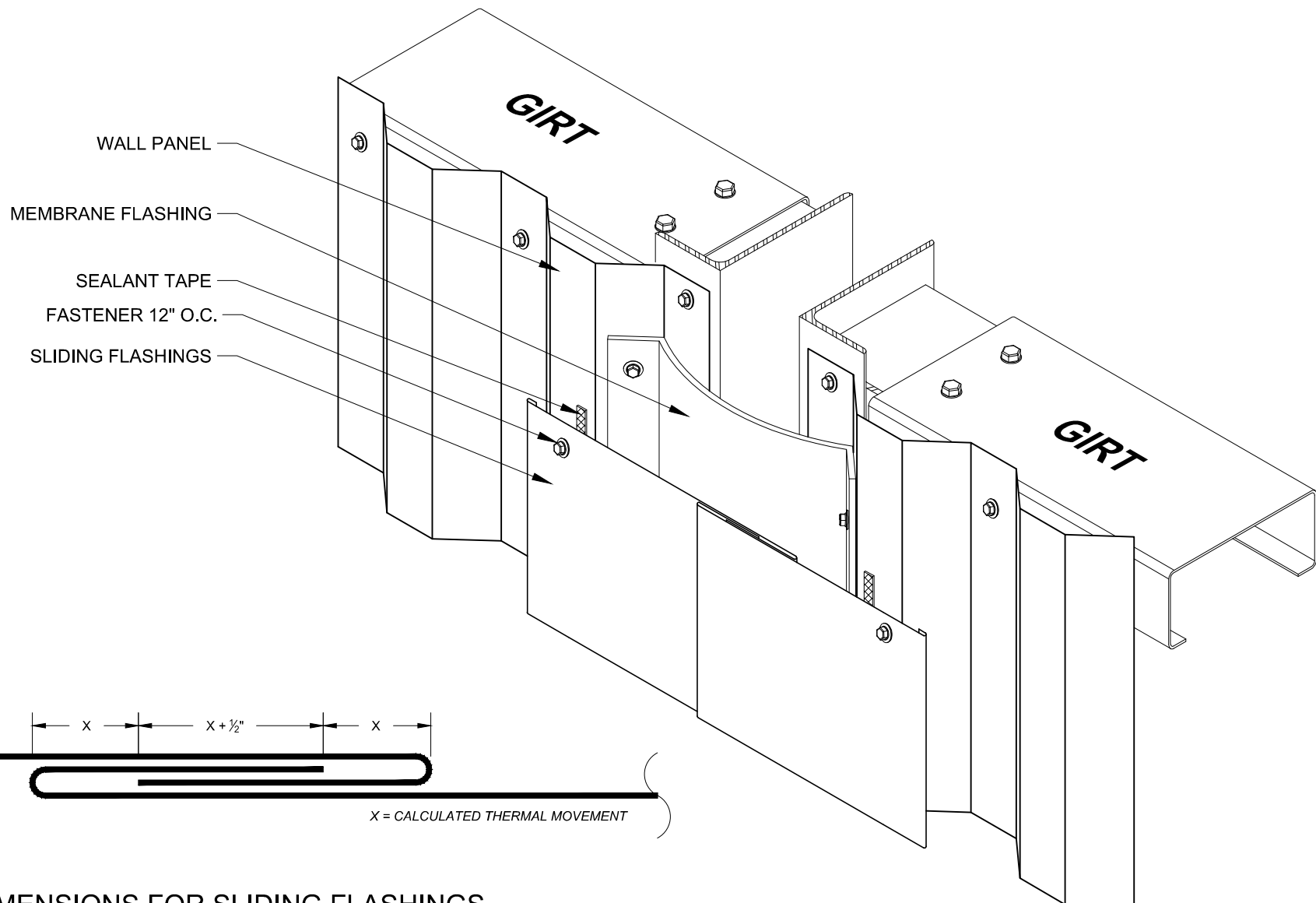
THIS DRAWING IS THE PROPERTY OF FABRAL, INC. THE USE OF THIS DRAWING WITHOUT THE EXPRESS PERMISSION OF FABRAL IS PROHIBITED.

FABRAL, INC.
 3449 Hempland Road
 Lancaster, PA 17601
 800-477-2741

HORIZONTAL WALL SECTION

INDUSTRIAL PANEL

Issued:
 APRIL 2012



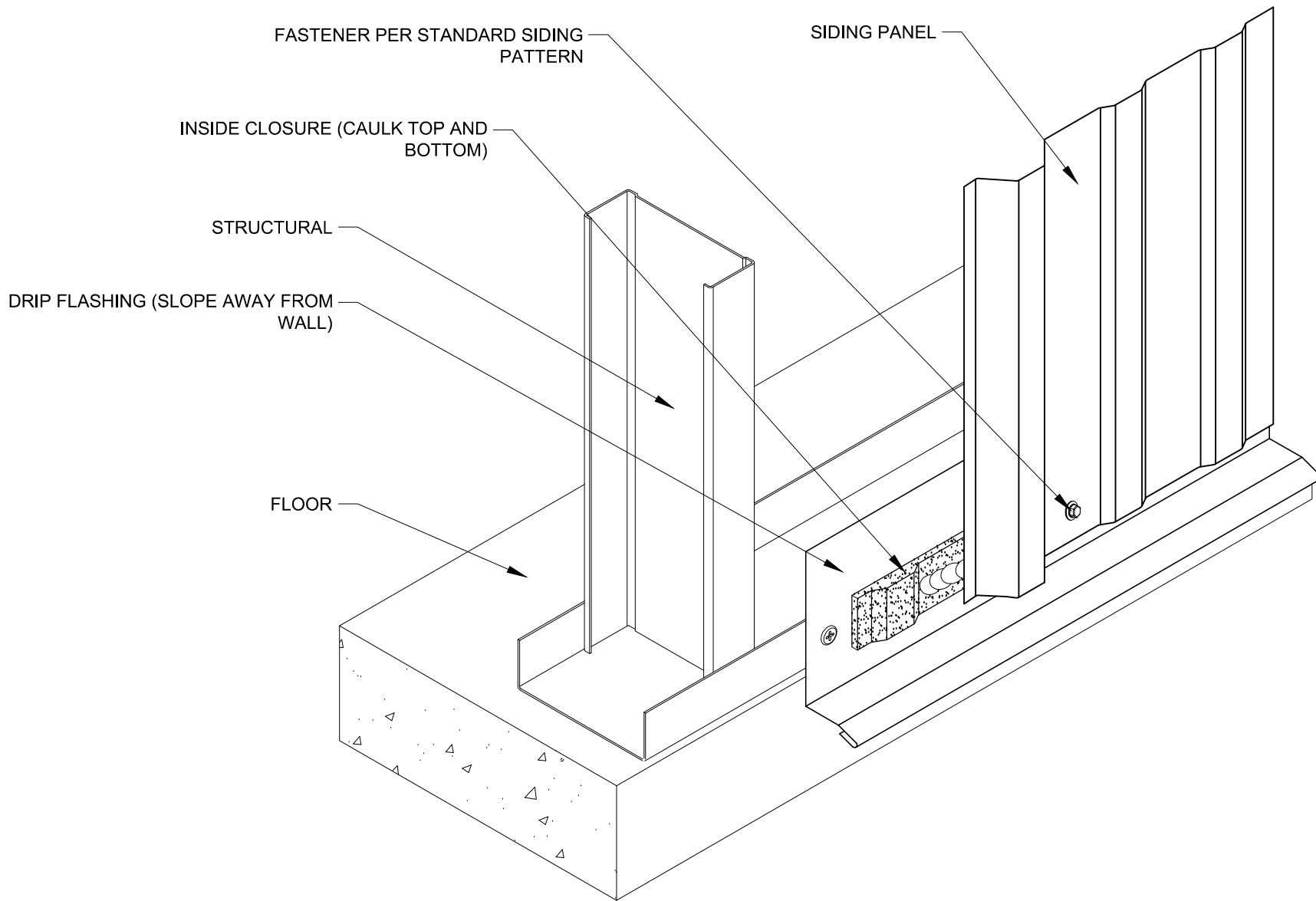
DIMENSIONS FOR SLIDING FLASHINGS

Project:	
Contractor:	
WALL EXPANSION JOINT	

THIS DRAWING IS THE PROPERTY OF FABRAL, INC. THE USE OF THIS DRAWING WITHOUT THE EXPRESS PERMISSION OF FABRAL IS PROHIBITED.

FABRAL, INC.
 3449 Hempland Road
 Lancaster, PA 17601
 800-477-2741

Issued:	APRIL 2012
---------	-------------------



Project:

Contractor:

THIS DRAWING IS THE PROPERTY OF FABRAL, INC. THE USE OF THIS DRAWING WITHOUT THE EXPRESS PERMISSION OF FABRAL IS PROHIBITED.

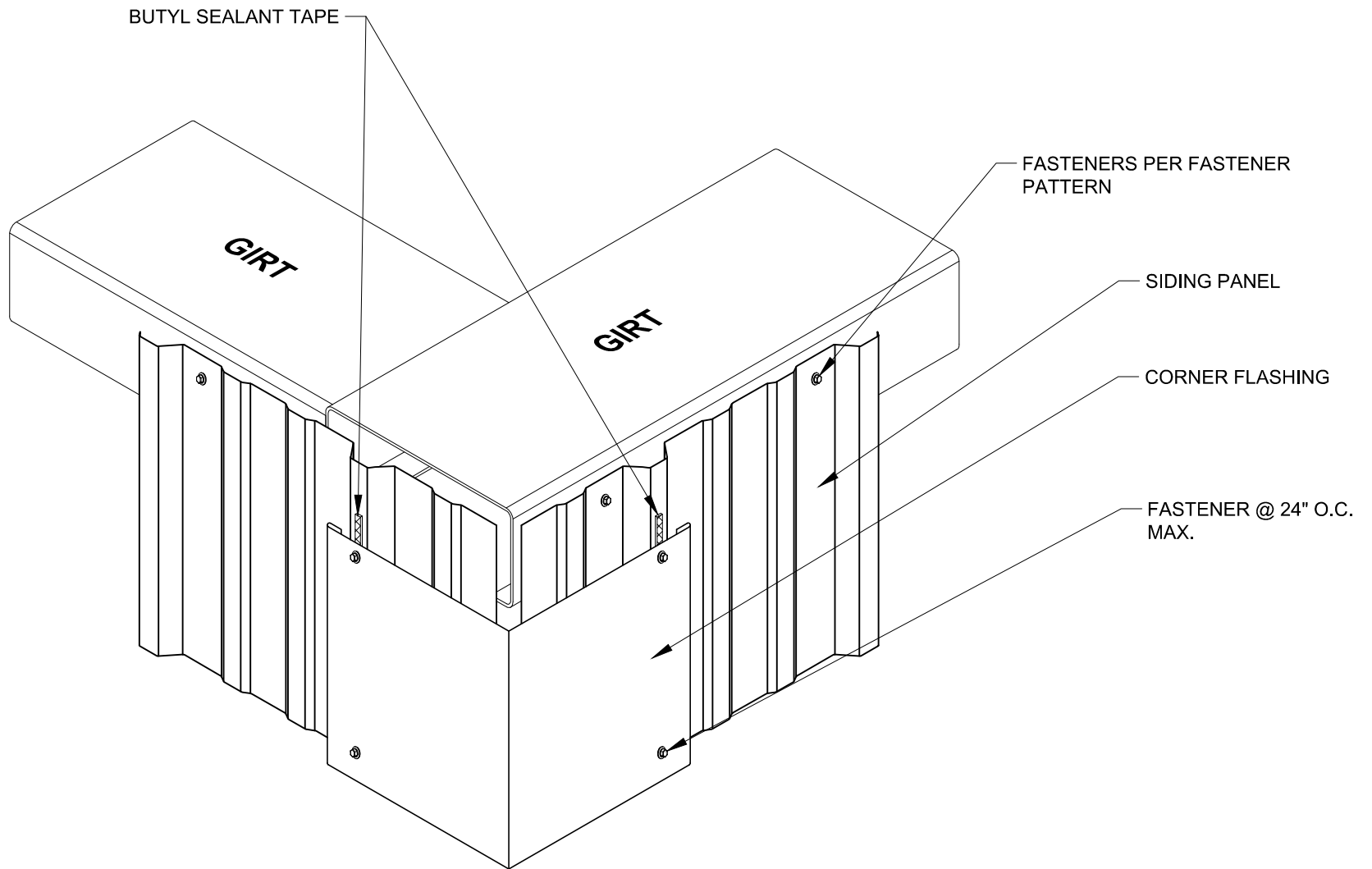
FABRAL, INC.
 3449 Hempland Road
 Lancaster, PA 17601
 800-477-2741

BASE

INDUSTRIAL PANEL

Issued:

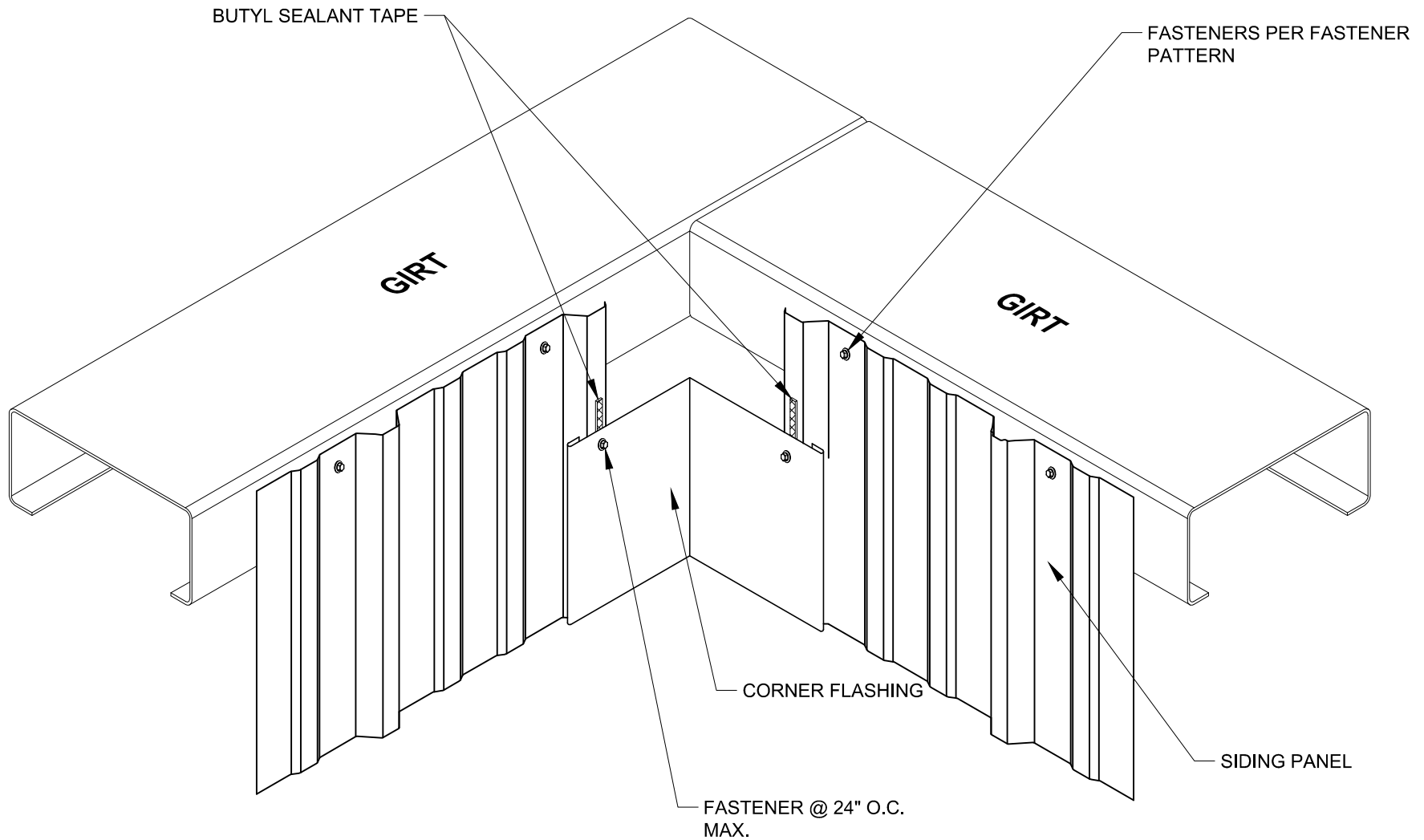
APRIL 2012



Project: _____
 Contractor: _____
OUTSIDE CORNER WITH VERTICAL PANELS

THIS DRAWING IS THE PROPERTY OF FABRAL, INC. THE USE OF THIS DRAWING WITHOUT THE EXPRESS PERMISSION OF FABRAL IS PROHIBITED.
INDUSTRIAL PANEL

FABRAL, INC.
 3449 Hempland Road
 Lancaster, PA 17601
 800-477-2741
 Issued:
 APRIL 2012



Project:

Contractor:

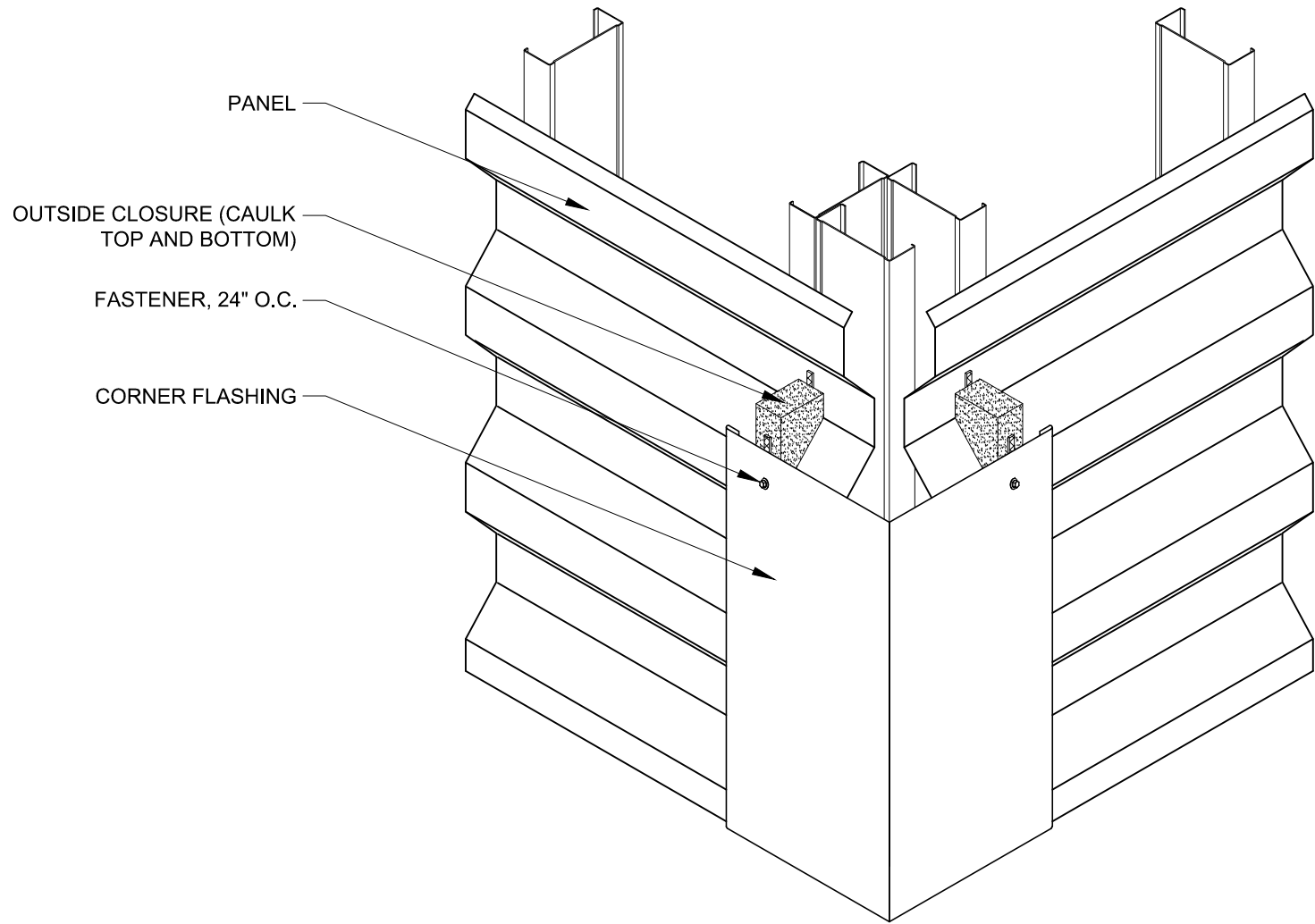
THIS DRAWING IS THE PROPERTY OF FABRAL, INC. THE USE OF THIS DRAWING WITHOUT THE EXPRESS PERMISSION OF FABRAL IS PROHIBITED.

FABRAL, INC.
 3449 Hempland Road
 Lancaster, PA 17601
 800-477-2741

INSIDE CORNER WITH VERTICAL PANELS

INDUSTRIAL PANEL

Issued:
 APRIL 2012



Project:

Contractor:

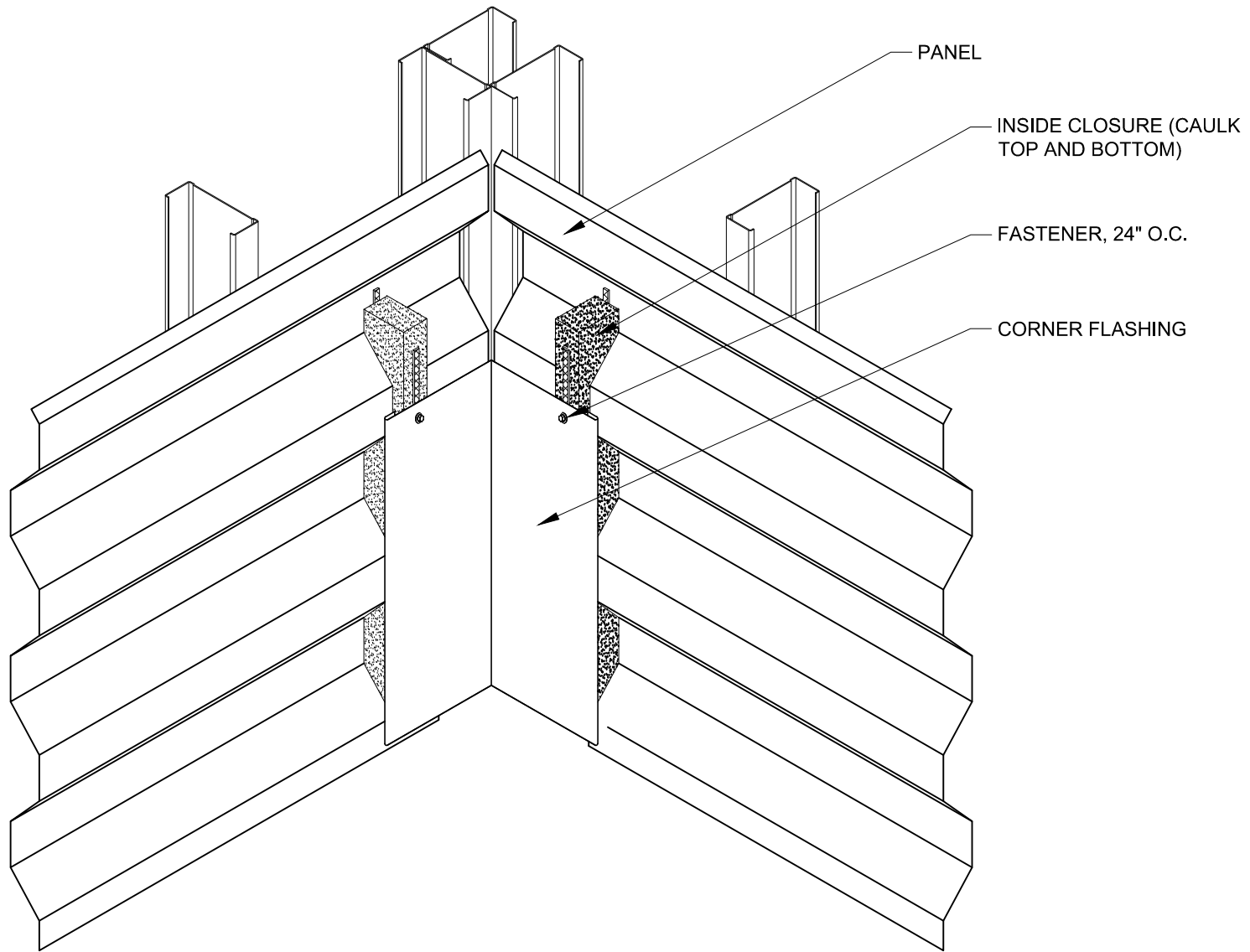
THIS DRAWING IS THE PROPERTY OF FABRAL, INC. THE USE OF THIS DRAWING WITHOUT THE EXPRESS PERMISSION OF FABRAL IS PROHIBITED.

FABRAL, INC.
 3449 Hempland Road
 Lancaster, PA 17601
 800-477-2741

OUTSIDE CORNER W/ HORIZONTAL PANELS

INDUSTRIAL PANEL

Issued:
 APRIL 2012



Project:

Contractor:

THIS DRAWING IS THE PROPERTY OF FABRAL, INC. THE USE OF THIS DRAWING WITHOUT THE EXPRESS PERMISSION OF FABRAL IS PROHIBITED.

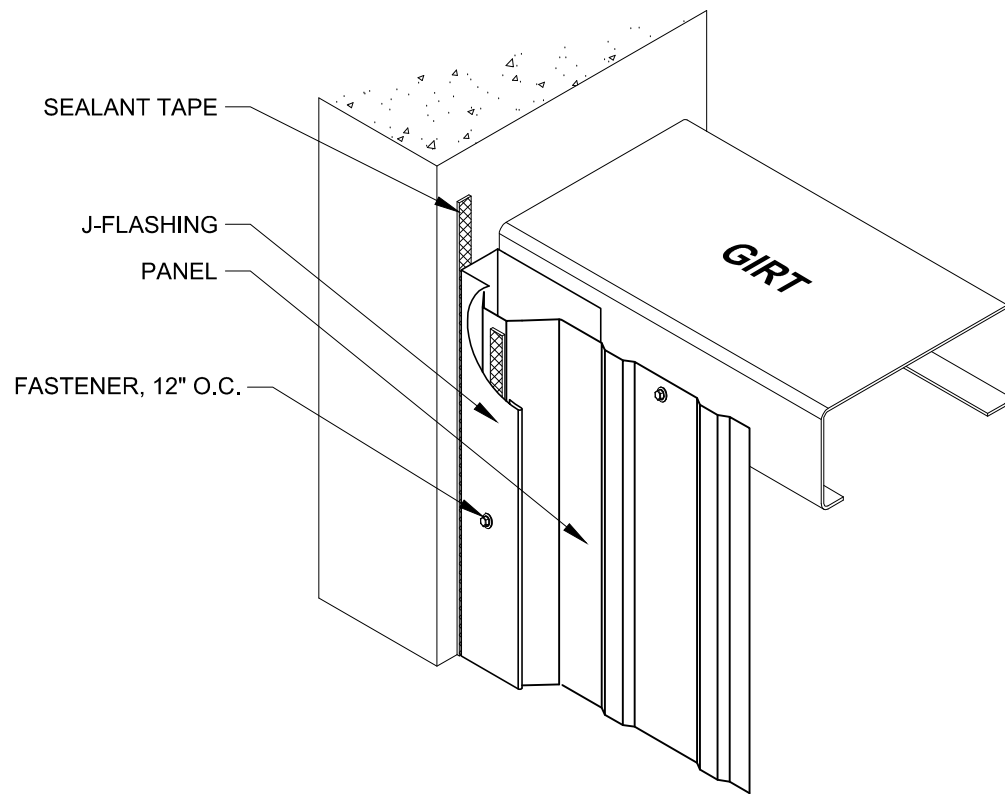
FABRAL, INC.
 3449 Hempland Road
 Lancaster, PA 17601
 800-477-2741

INSIDE CORNER W/ HORIZONTAL PANELS

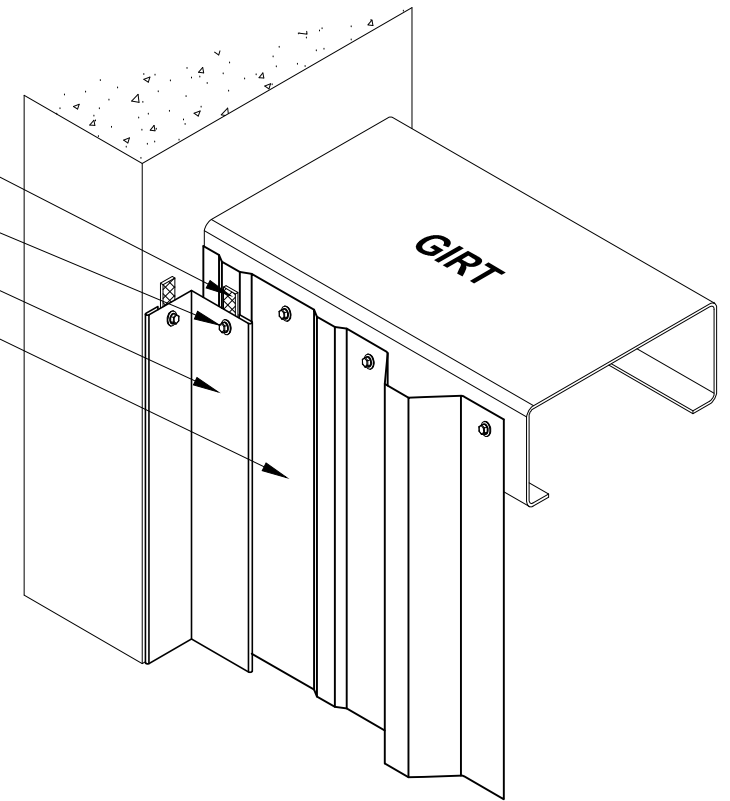
INDUSTRIAL PANEL

Issued:
 APRIL 2012

SIDEWALL (HIGH)



- SEALANT TAPE
- FASTENER, 12" O.C.
- FLASHING
- PANEL



SIDEWALL (LOW)

Project:

Contractor:

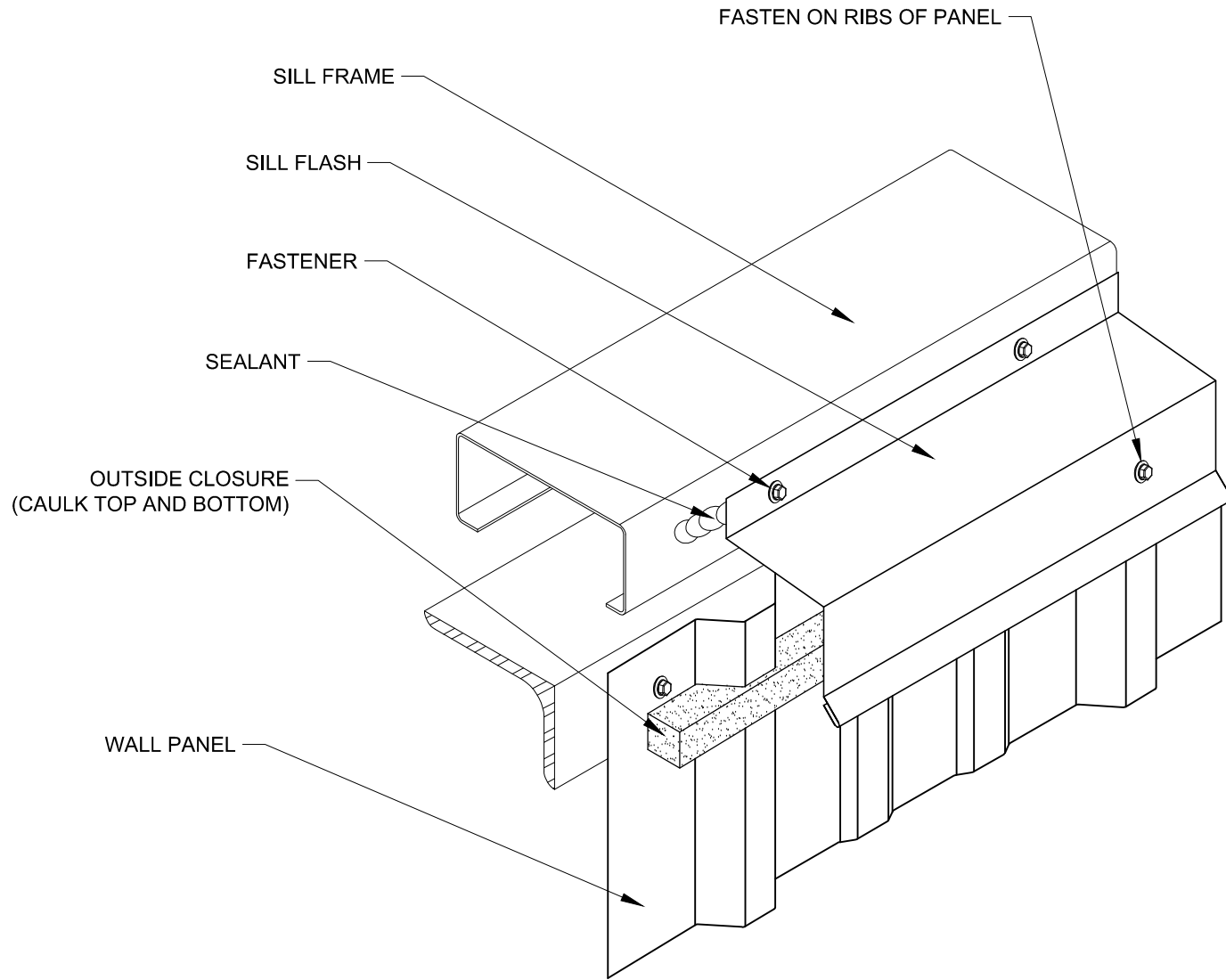
THIS DRAWING IS THE PROPERTY OF FABRAL, INC. THE USE OF THIS DRAWING WITHOUT THE EXPRESS PERMISSION OF FABRAL IS PROHIBITED.

FABRAL, INC.
 3449 Hempland Road
 Lancaster, PA 17601
 800-477-2741

SIDEWALL LOW / HIGH

INDUSTRIAL PANEL

Issued:
 APRIL 2012



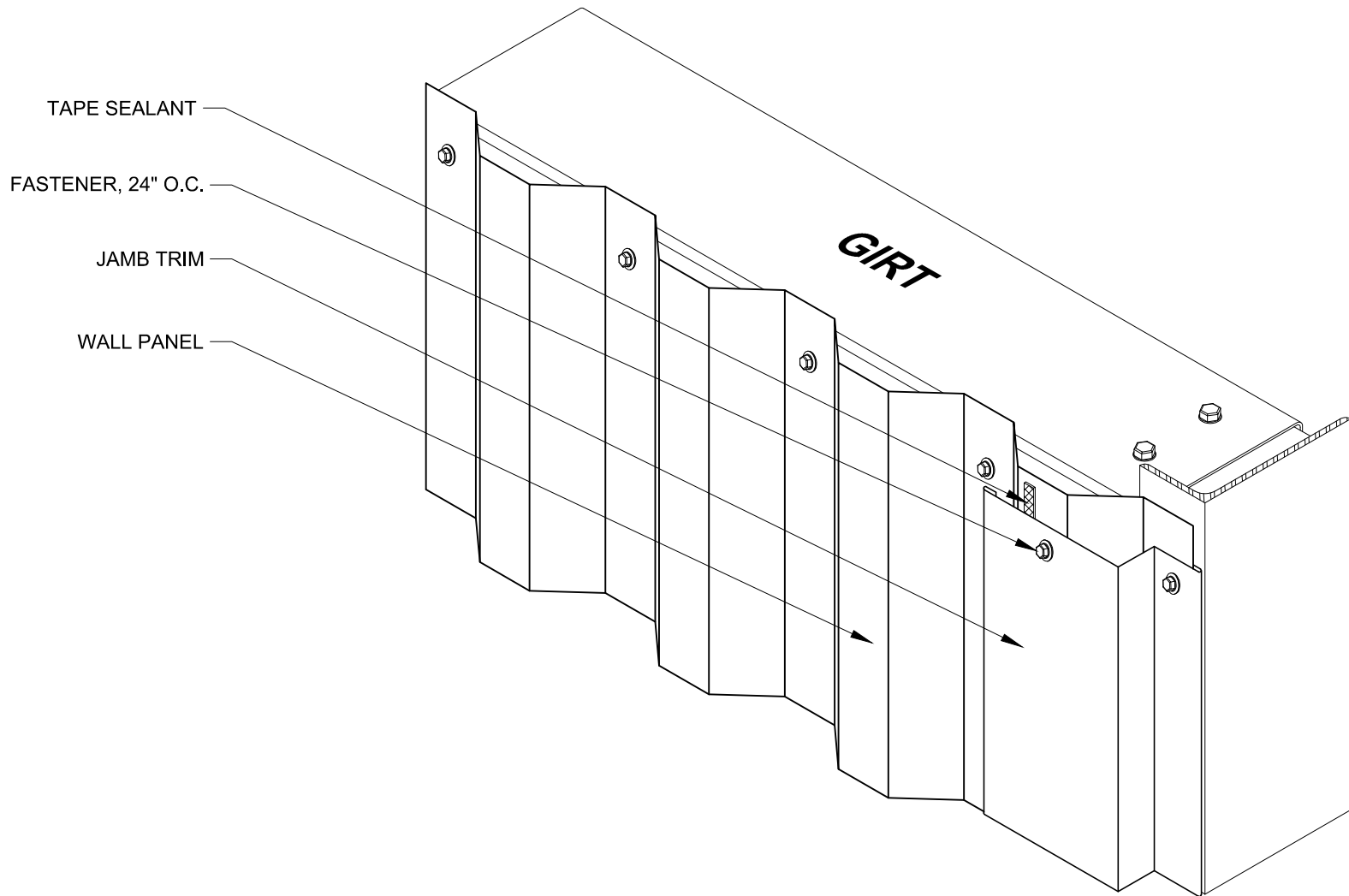
Project:
Contractor:
SILL

THIS DRAWING IS THE
PROPERTY OF FABRAL,
INC. THE USE OF THIS
DRAWING WITHOUT THE
EXPRESS PERMISSION OF
FABRAL IS PROHIBITED.

FABRAL, INC.
3449 Hempland Road
Lancaster, PA 17601
800-477-2741

INDUSTRIAL PANEL

Issued:
APRIL 2012



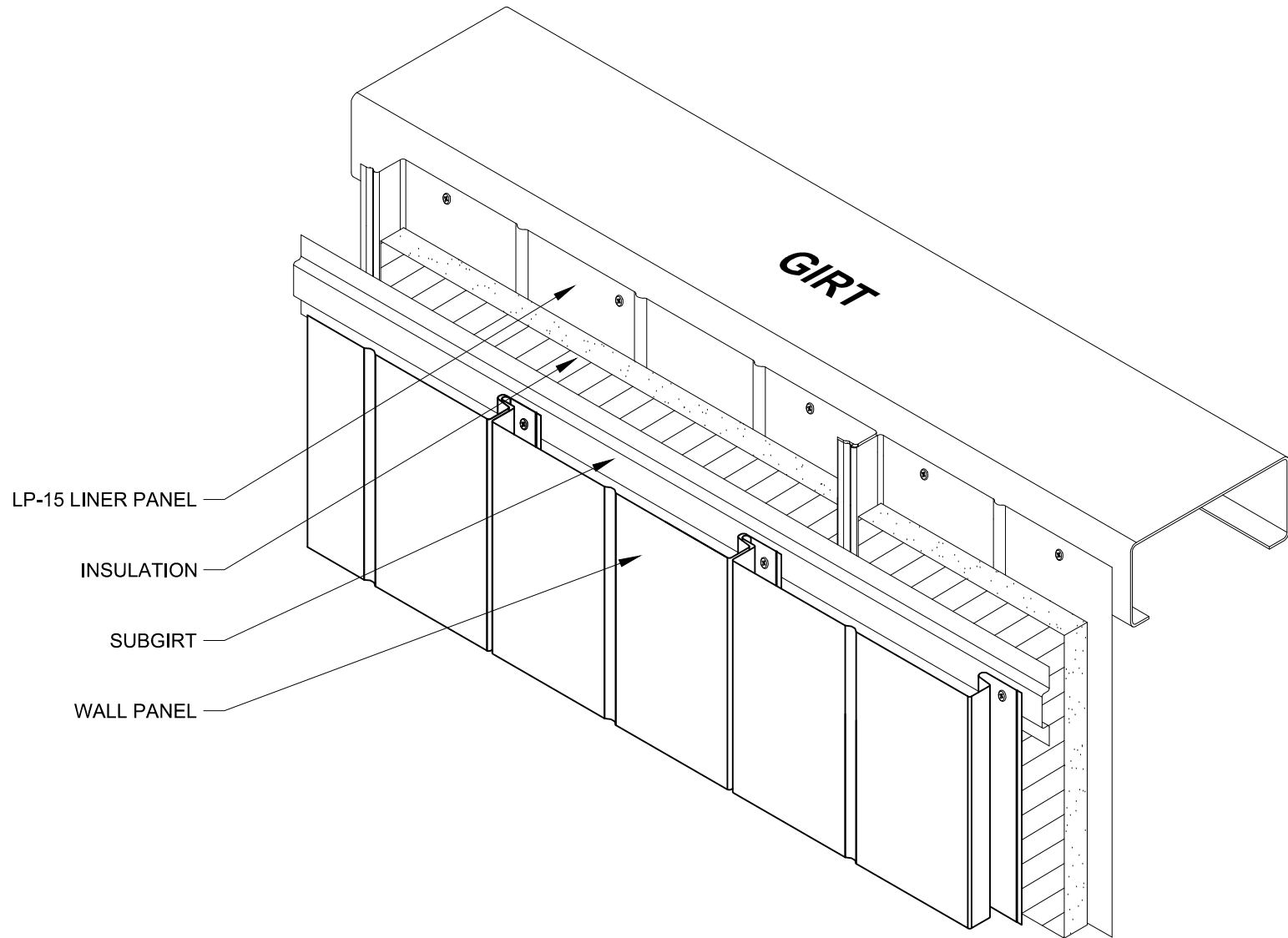
Project:	
Contractor:	
JAMB	

THIS DRAWING IS THE PROPERTY OF FABRAL, INC. THE USE OF THIS DRAWING WITHOUT THE EXPRESS PERMISSION OF FABRAL IS PROHIBITED.

FABRAL, INC.
 3449 Hempland Road
 Lancaster, PA 17601
 800-477-2741

INDUSTRIAL PANEL

Issued:
 APRIL 2012



Project:

Contractor:

FIELD ASSEMBLED

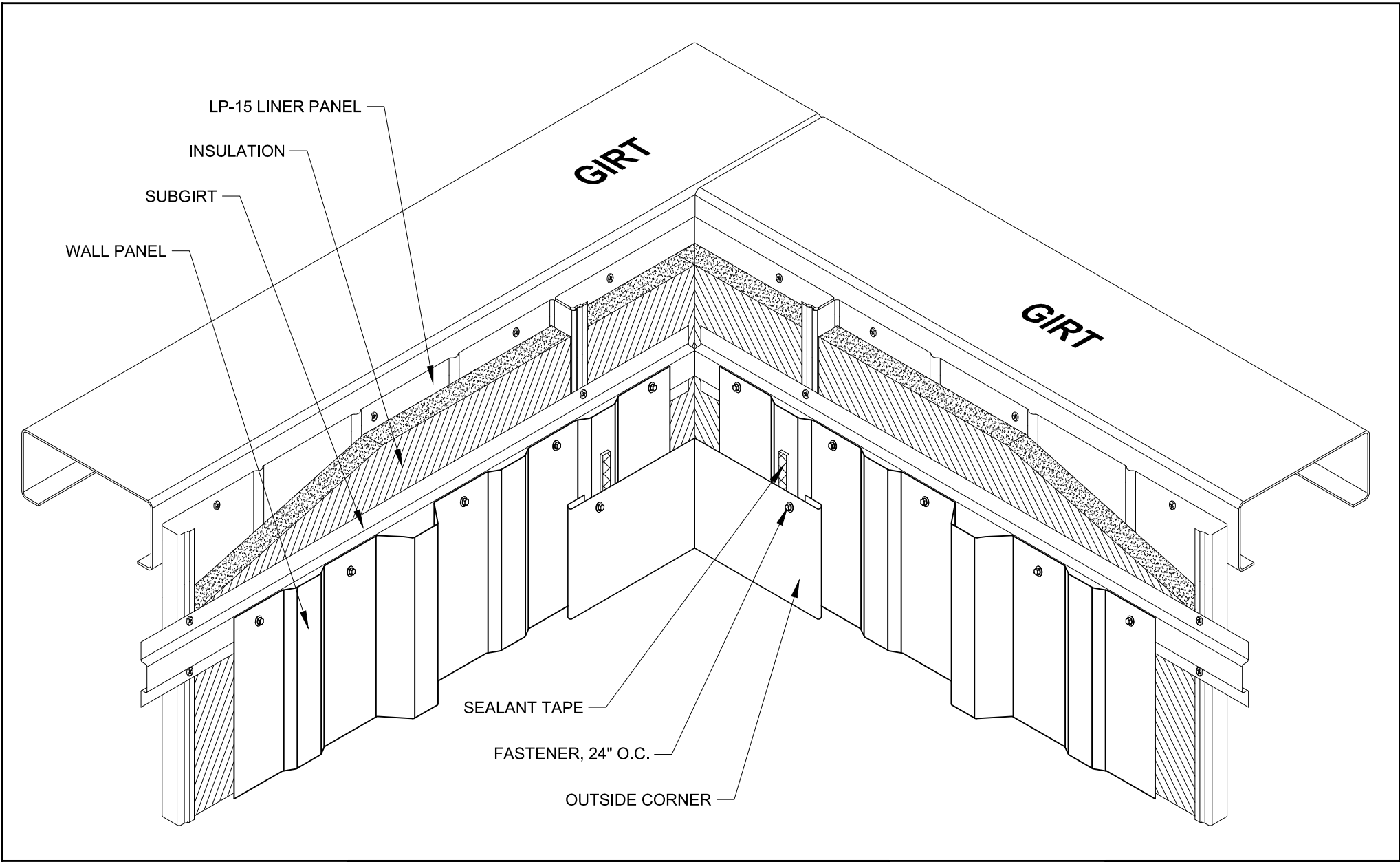
INSULATED WALL ASSEMBLY

THIS DRAWING IS THE PROPERTY OF FABRAL, INC. THE USE OF THIS DRAWING WITHOUT THE EXPRESS PERMISSION OF FABRAL IS PROHIBITED.

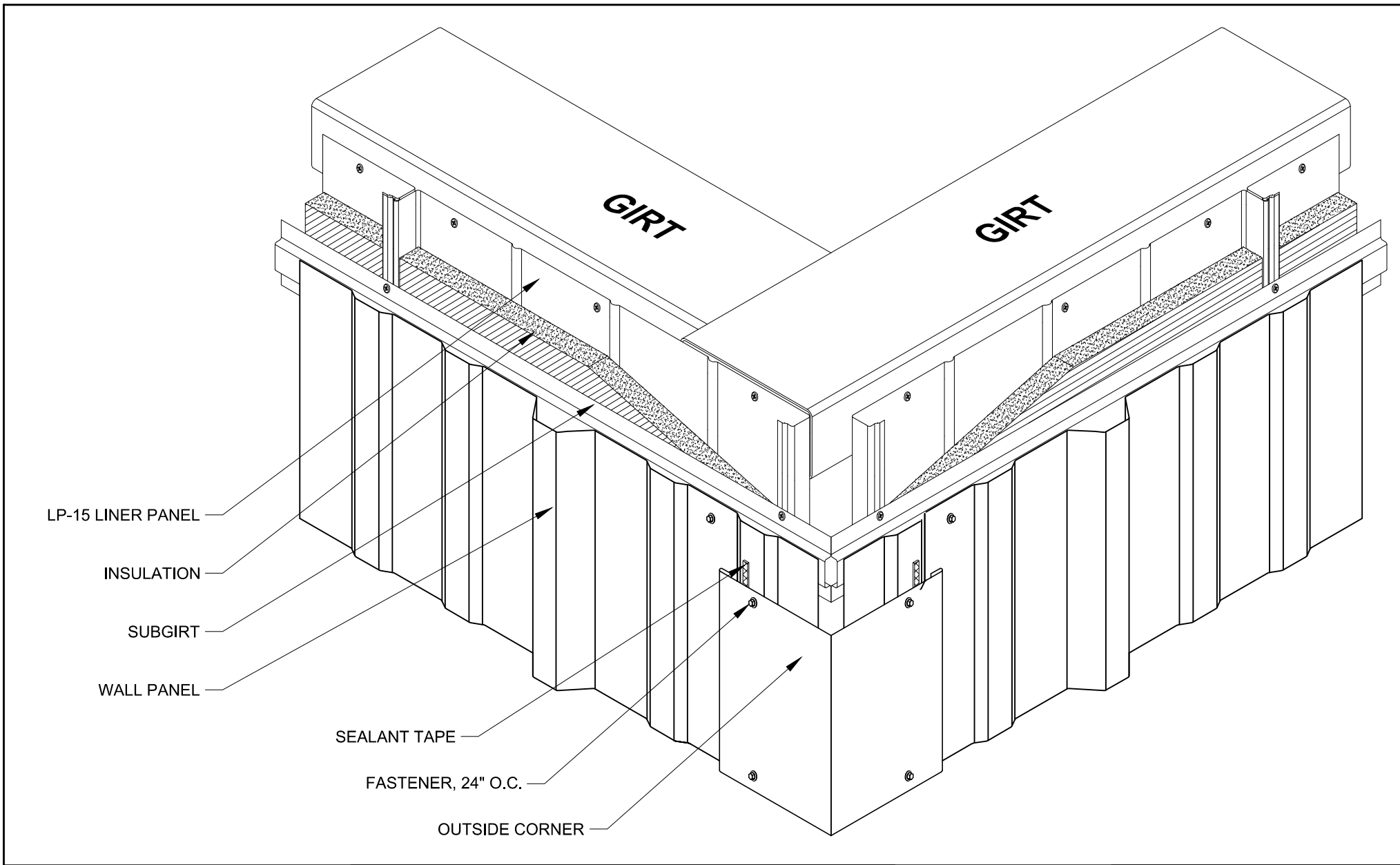
FABRAL, INC.
 3449 Hempland Road
 Lancaster, PA 17601
 800-477-2741

INDUSTRIAL PANEL

Issued:
 APRIL 2012



	Project:	THIS DRAWING IS THE PROPERTY OF FABRAL, INC. THE USE OF THIS DRAWING WITHOUT THE EXPRESS PERMISSION OF FABRAL IS PROHIBITED.	FABRAL, INC. 3449 Hempland Road Lancaster, PA 17601 800-477-2741
	Contractor:		
	INSULATED INSIDE CORNER		INDUSTRIAL PANEL Issued: APRIL 2012



LP-15 LINER PANEL

INSULATION

SUBGIRT

WALL PANEL

SEALANT TAPE

FASTENER, 24" O.C.

OUTSIDE CORNER

GIRT

GIRT

Project:

Contractor:

THIS DRAWING IS THE PROPERTY OF FABRAL, INC. THE USE OF THIS DRAWING WITHOUT THE EXPRESS PERMISSION OF FABRAL IS PROHIBITED.

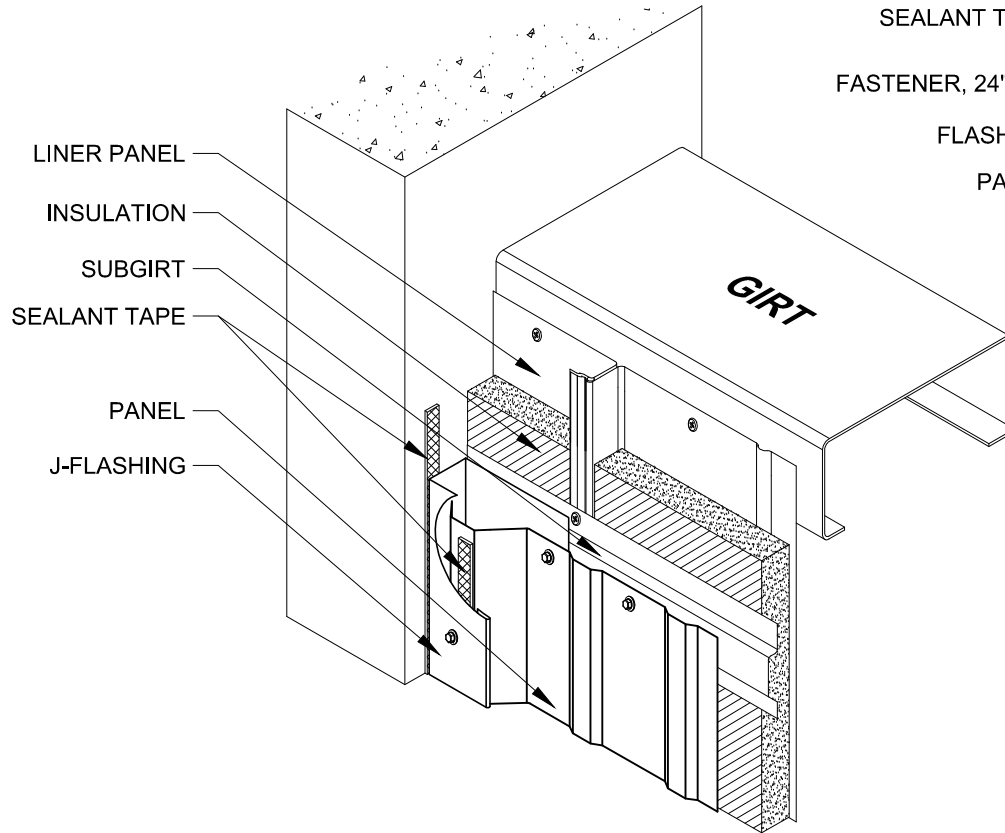
FABRAL, INC.
 3449 Hempland Road
 Lancaster, PA 17601
 800-477-2741

INSULATED OUTSIDE CORNER

INDUSTRIAL PANEL

Issued:
 APRIL 2012

SIDEWALL (HIGH)



LP-15 LINER PANEL

INSULATION

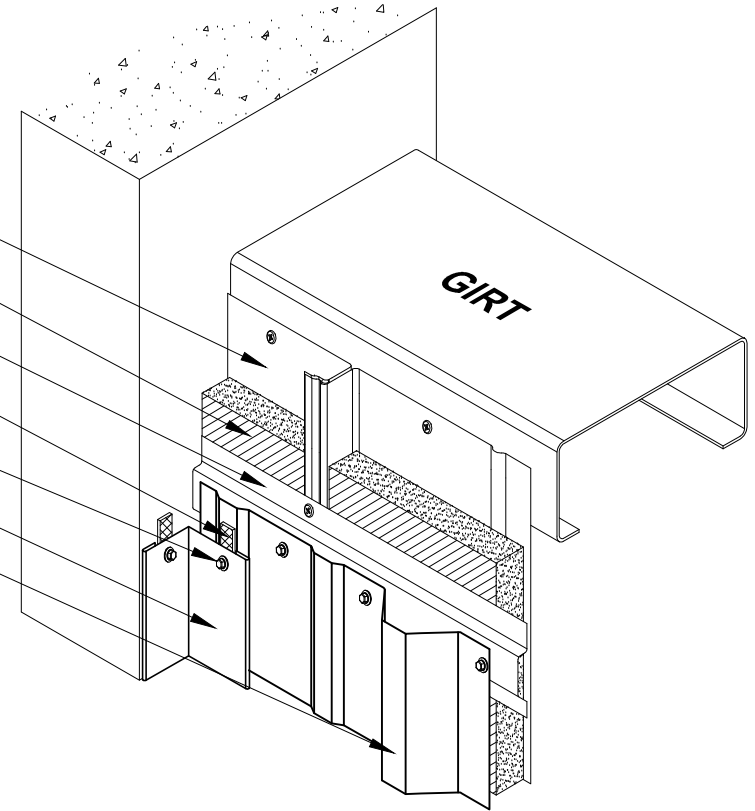
SUBGIRT

SEALANT TAPE

FASTENER, 24" O.C.

FLASHING

PANEL



SIDEWALL (LOW)

Project:

Contractor:

THIS DRAWING IS THE PROPERTY OF FABRAL, INC. THE USE OF THIS DRAWING WITHOUT THE EXPRESS PERMISSION OF FABRAL IS PROHIBITED.

FABRAL, INC.
3449 Hempland Road
Lancaster, PA 17601
800-477-2741

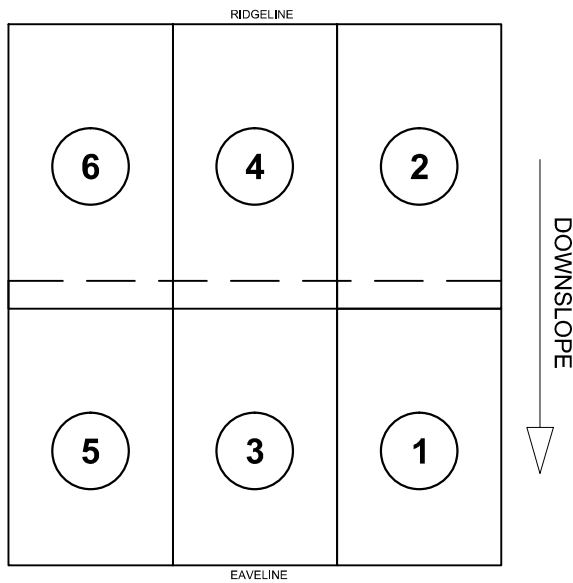
INSULATED SIDEWALL LOW / HIGH

INDUSTRIAL PANEL

Issued:

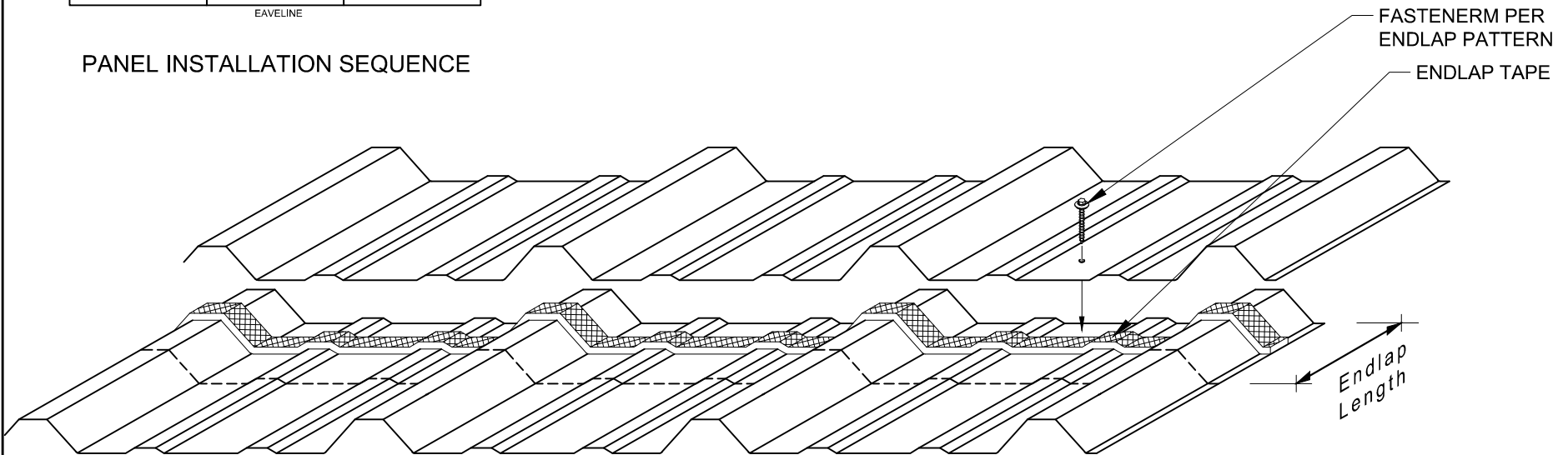
APRIL 2012

PREVAILING WIND DIRECTION



PANEL INSTALLATION SEQUENCE

SLOPE	ENDLAP LENGTH
2:12 & LESS	12"
3:12	9"
4:12 & GREATER	6"



Project:

Contractor:

THIS DRAWING IS THE PROPERTY OF FABRAL, INC. THE USE OF THIS DRAWING WITHOUT THE EXPRESS PERMISSION OF FABRAL IS PROHIBITED.

FABRAL, INC.
3449 Hempland Road
Lancaster, PA 17601
800-477-2741

ENDLAP

INDUSTRIAL PANEL

Issued: