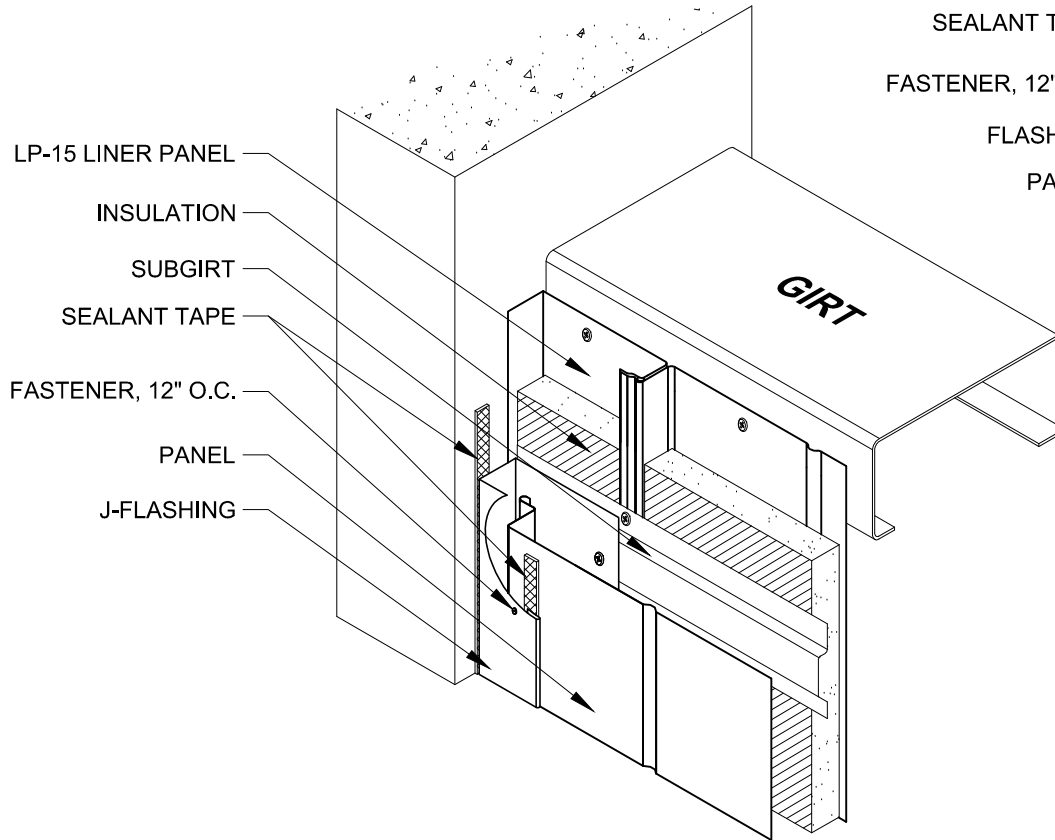


SIDEWALL (LEG)



LP-15 LINER PANEL

INSULATION

SUBGIRT

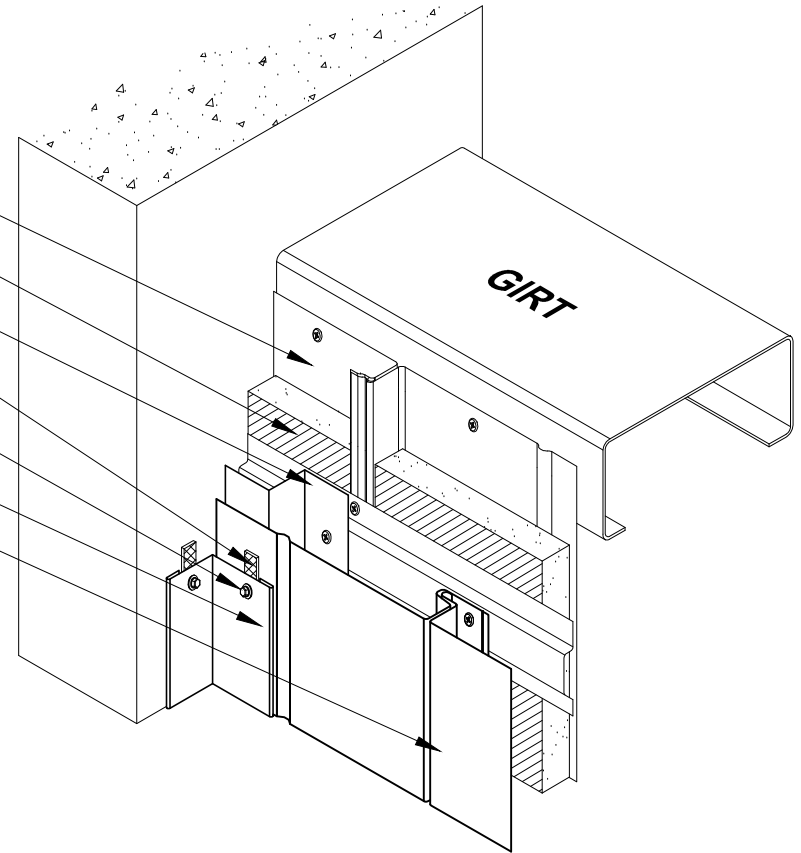
SEALANT TAPE

FASTENER, 12" O.C.

FLASHING

PANEL

SIDEWALL (NO LEG)



FABRAL

Project:

Contractor:

INSULATED SIDEWALL LOW / HIGH (ISW-1)

THIS DRAWING IS THE PROPERTY OF FABRAL, INC. THE USE OF THIS DRAWING WITHOUT THE EXPRESS PERMISSION OF FABRAL IS PROHIBITED.

SELECT SERIES

FABRAL, INC.
3449 Hempland Road
Lancaster, PA 17601
800-477-2741

Issued:

APRIL 2012