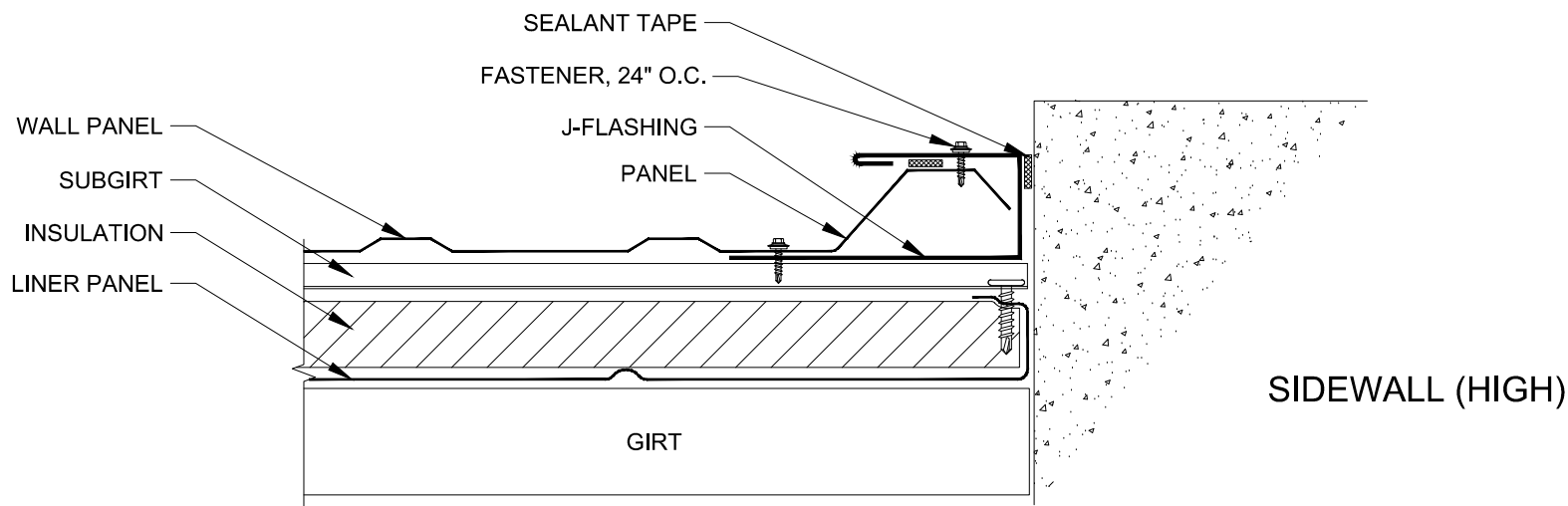


SIDEWALL (LOW)



SIDEWALL (HIGH)

**FABRAL**

Project:

Contractor:

THIS DRAWING IS THE PROPERTY OF FABRAL, INC. THE USE OF THIS DRAWING WITHOUT THE EXPRESS PERMISSION OF FABRAL IS PROHIBITED.

**FABRAL, INC.**  
 3449 Hempland Road  
 Lancaster, PA 17601  
 800-477-2741

**INSULATED SIDEWALL LOW / HIGH**

**INDUSTRIAL PANEL**

Issued: