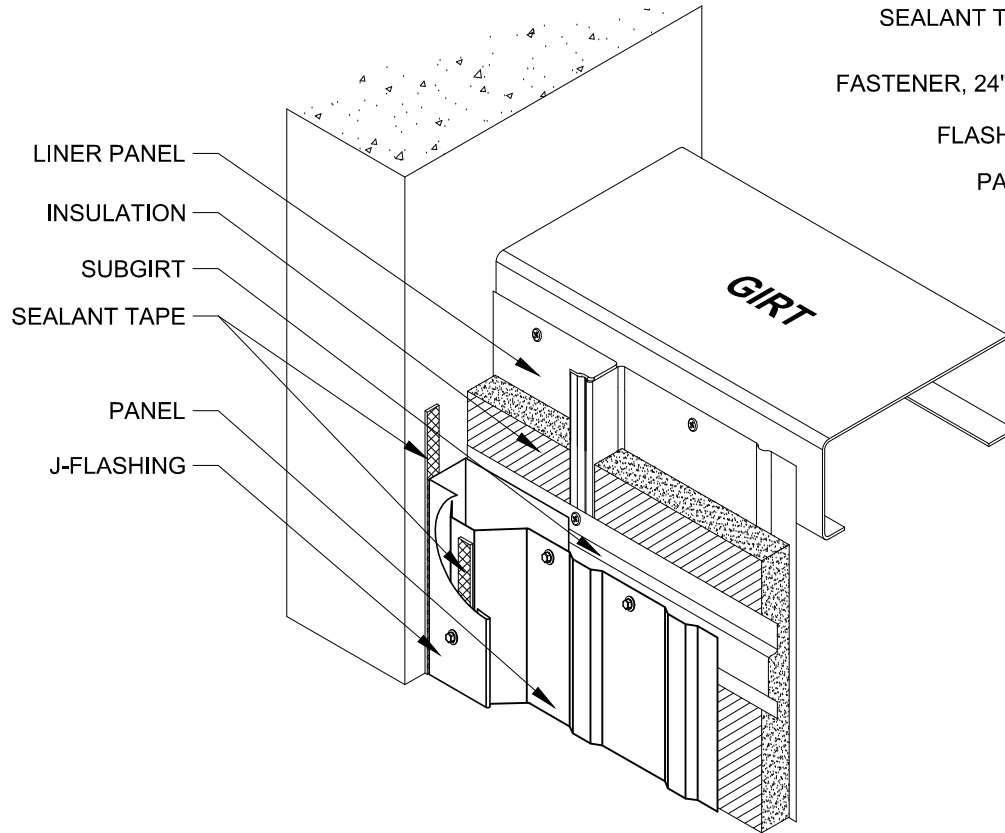


SIDEWALL (HIGH)



LP-15 LINER PANEL

INSULATION

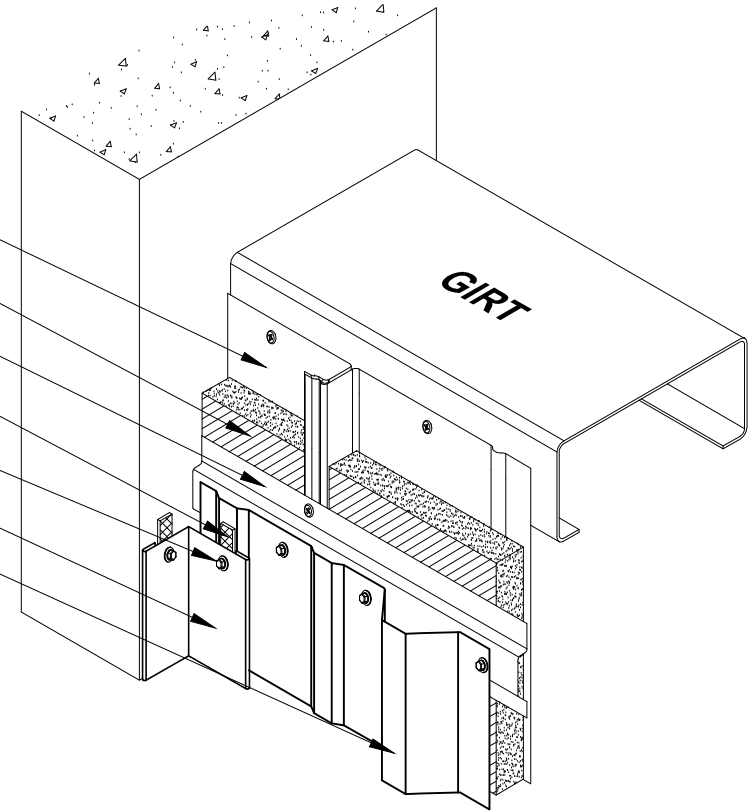
SUBGIRT

SEALANT TAPE

FASTENER, 24" O.C.

FLASHING

PANEL



SIDEWALL (LOW)

Project:

Contractor:

THIS DRAWING IS THE PROPERTY OF FABRAL, INC. THE USE OF THIS DRAWING WITHOUT THE EXPRESS PERMISSION OF FABRAL IS PROHIBITED.

FABRAL, INC.
3449 Hempland Road
Lancaster, PA 17601
800-477-2741

INSULATED SIDEWALL LOW / HIGH

INDUSTRIAL PANEL

Issued:

APRIL 2012