



BUILDING CODE COMPLIANCE OFFICE (BCCO)
PRODUCT CONTROL DIVISION

MIAMI-DADE COUNTY, FLORIDA
METRO-DADE FLAGLER BUILDING
140 WEST FLAGLER STREET, SUITE 1603
MIAMI, FLORIDA 33130-1563
(305) 375-2901 FAX (305) 375-2908

NOTICE OF ACCEPTANCE (NOA)

Fabral, Inc.
P.O. Box 4608
Lancaster, PA 17604-4608

SCOPE:

This NOA is being issued under the applicable rules and regulations governing the use of construction materials. The documentation submitted has been reviewed by Miami-Dade County Product Control Division and accepted by the Board of Rules and Appeals (BORA) to be used in Miami Dade County and other areas where allowed by the Authority Having Jurisdiction (AHJ).

This NOA shall not be valid after the expiration date stated below. The Miami-Dade County Product Control Division (In Miami Dade County) and/or the AHJ (in areas other than Miami Dade County) reserve the right to have this product or material tested for quality assurance purposes. If this product or material fails to perform in the accepted manner, the manufacturer will incur the expense of such testing and the AHJ may immediately revoke, modify, or suspend the use of such product or material within their jurisdiction. BORA reserves the right to revoke this acceptance, if it is determined by Miami-Dade County Product Control Division that this product or material fails to meet the requirements of the applicable building code.

This product is approved as described herein, and has been designed to comply with the Florida Building Code, including the High Velocity Hurricane Zone.

DESCRIPTION: Stand 'N Seam Panel 24 Ga. Steel Roof Systems

LABELING: Each unit shall bear a permanent label with the manufacturer's name or logo, city, state and following statement: "Miami-Dade County Product Control Approved", unless otherwise noted herein.

RENEWAL of this NOA shall be considered after a renewal application has been filed and there has been no change in the applicable building code negatively affecting the performance of this product.

TERMINATION of this NOA will occur after the expiration date or if there has been a revision or change in the materials, use, and/or manufacture of the product or process. Misuse of this NOA as an endorsement of any product, for sales, advertising or any other purposes shall automatically terminate this NOA. Failure to comply with any section of this NOA shall be cause for termination and removal of NOA.

ADVERTISEMENT: The NOA number preceded by the words Miami-Dade County, Florida, and followed by the expiration date may be displayed in advertising literature. If any portion of the NOA is displayed, then it shall be done in its entirety.

INSPECTION: A copy of this entire NOA shall be provided to the user by the manufacturer or its distributors and shall be available for inspection at the job site at the request of the Building Official.

This NOA consists of pages 1 through 5.

The submitted documentation was reviewed by Alex Tigera.

AT

NOA No 05-0405.02
Expiration Date: 05/04/11
Approval Date:
Page 1 of 5

ROOFING ASSEMBLY APPROVAL

Category: Roofing
Sub-Category: Non-Structural Roofing Panels
Material: Steel
Type: Non-Structural

TRADE NAMES OF PRODUCTS MANUFACTURED OR LABELED BY APPLICANT:

<u>Product</u>	<u>Dimensions</u>	<u>Test Specifications</u>	<u>Product Description</u>
Stand 'N Seam Panel	l = various w = 12" or 16" h = 2-1/2" 0.0243" thick	TAS 110	Corrosion resistant, AZ50 galvalume steel preformed, standing seam, coated, pre-finished, metal panels.
Trim Pieces	l = varies w = varies min. 24 ga.	TAS 110	Standard flashing and trim pieces. Manufactured for each panel width.
Panel Clips	3/4" wide x 3/4" high x 3" long 18 ga.	TAS 114 Appendix E	Stainless Steel, or Corrosion resistant, galvanized formed, steel clips for metal panel installation.

EVIDENCE SUBMITTED:

<u>Test Agency</u>	<u>Test Identifier</u>	<u>Test Name/Report</u>	<u>Date</u>
Architectural Testing	60561.01-122-18	TAS 125	Jan. 2006
Architectural Testing	60560.02-122-18	TAS 100	Jan. 2006
Valspar Corporation	435B187 435A871	ASTM G 23 ASTM B 117	

APPROVED ASSEMBLY:**SYSTEM A-1:** Stand 'N' Seam Metal Roof Panel**Deck Type:** Wood, Non-insulated**Deck Description:** New Construction ¹⁹/₃₂" or greater plywood or wood plank.**Slope Range:** 2":12" or greater**Maximum Uplift Pressure:** -60 psf. (See General Limitation #1)**Deck Attachment:** Deck shall be attached in accordance with applicable Building Code, but in no case shall it be less than 8d ring shank nails spaced 6" o.c. In reroofing, where the deck is less than ¹⁹/₃₂" thick (Minimum ¹⁵/₃₂"") the above attachment method must be in addition to existing attachment.**Underlayment:** Minimum underlayment shall be an ASTM D 226 Type II installed with a minimum 4" side-lap and 6" end-laps. Underlayment shall be fastened with corrosion resistant tin-caps and 12 gauge 1 ¹/₄" annular ring-shank nails, spaced 6" o.c. at all laps and two staggered rows 12" o.c. in the field of the roll. Or, any approved underlayment having a current NOA.**Fire Barrier Board:** Any approved fire barrier having a current NOA. Or for class A or B fire rating, install minimum ¹/₄" thick Georgia Pacific "Dens Deck" (with current NOA) or minimum 4mm thick of Tritex, RockRoof (with current NOA) or ⁵/₈" water resistant type X gypsum sheathing with treated core and facer.**Valleys:** Valley construction shall be in compliance with Roofing Application Standard RAS 133 and with Fabral, Inc. current published installation instructions.**Metal Panels and Accessories:**

Install the "Stand 'N' Seam Metal Roof Panels" and accessories in compliance with Fabral, Inc.'s current, published installation instructions and details. Flashing, penetrations, valley construction and other details shall be constructed in compliance with the minimum requirements provided in Roofing Application Standards RAS 133.

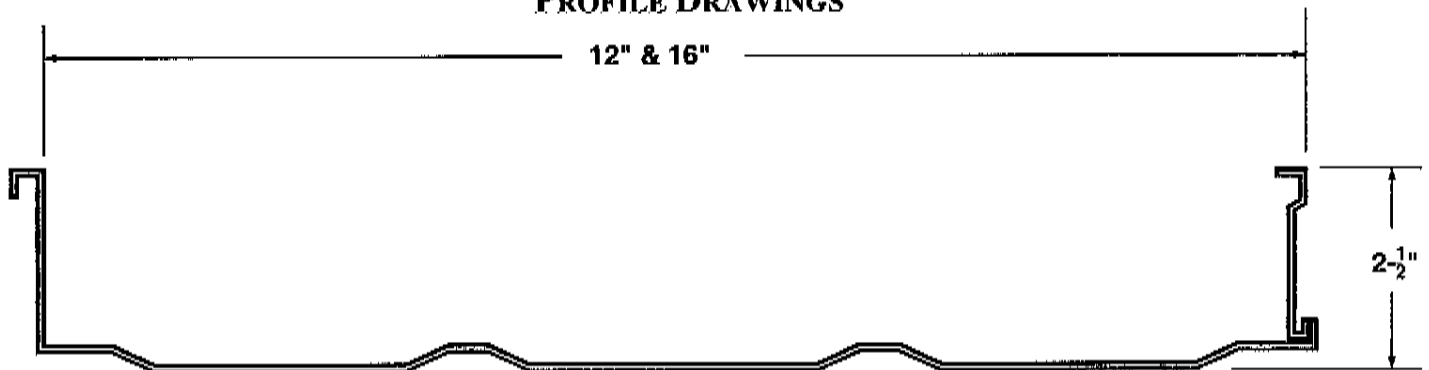
Panels shall be installed with approved clips (3" long x ³/₄" wide x ³/₄" tall), attached to substrate with two corrosion resistant #10 screws of sufficient length to penetrate through the sheathing a minimum of 3/16", at a maximum spacing of 24" o.c. and at 3" from each end.

Panels shall be seamed together, forming a 180° seam at the overlap. See Detail Drawings herein.

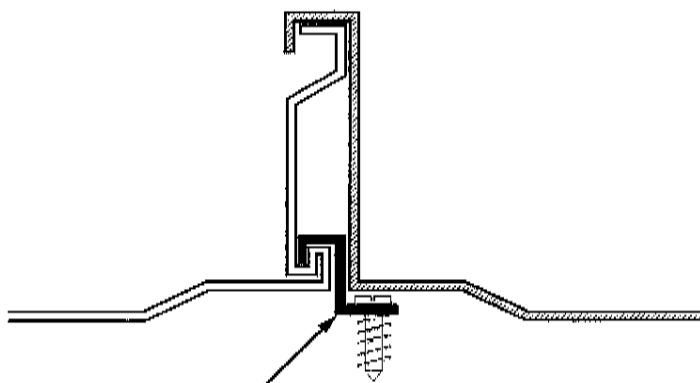
SYSTEM LIMITATIONS

1. Neither rational analysis, nor extrapolation shall be permitted for the maximum design pressures listed in the "Perimeter and Corner" roof areas as noted in the Approved Assembly herein.
2. Panel shall be roll formed in continuous lengths from eave to ridge. Maximum lengths shall be described in the Roofing Application Standard RAS 133.
3. All panels shall be permanently labeled with the manufacturer's name or logo, city, state and the following statement: "Miami Dade County Product Control Approved". All clips shall be permanently labeled with the manufacturer's name and/or logo, and/or model.

PROFILE DRAWINGS

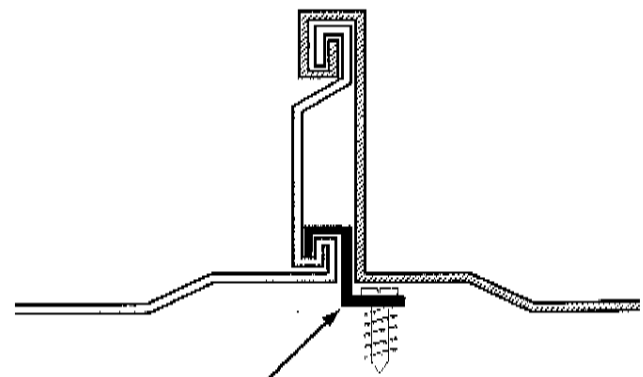


STAND 'N' SEAM STEEL PANEL



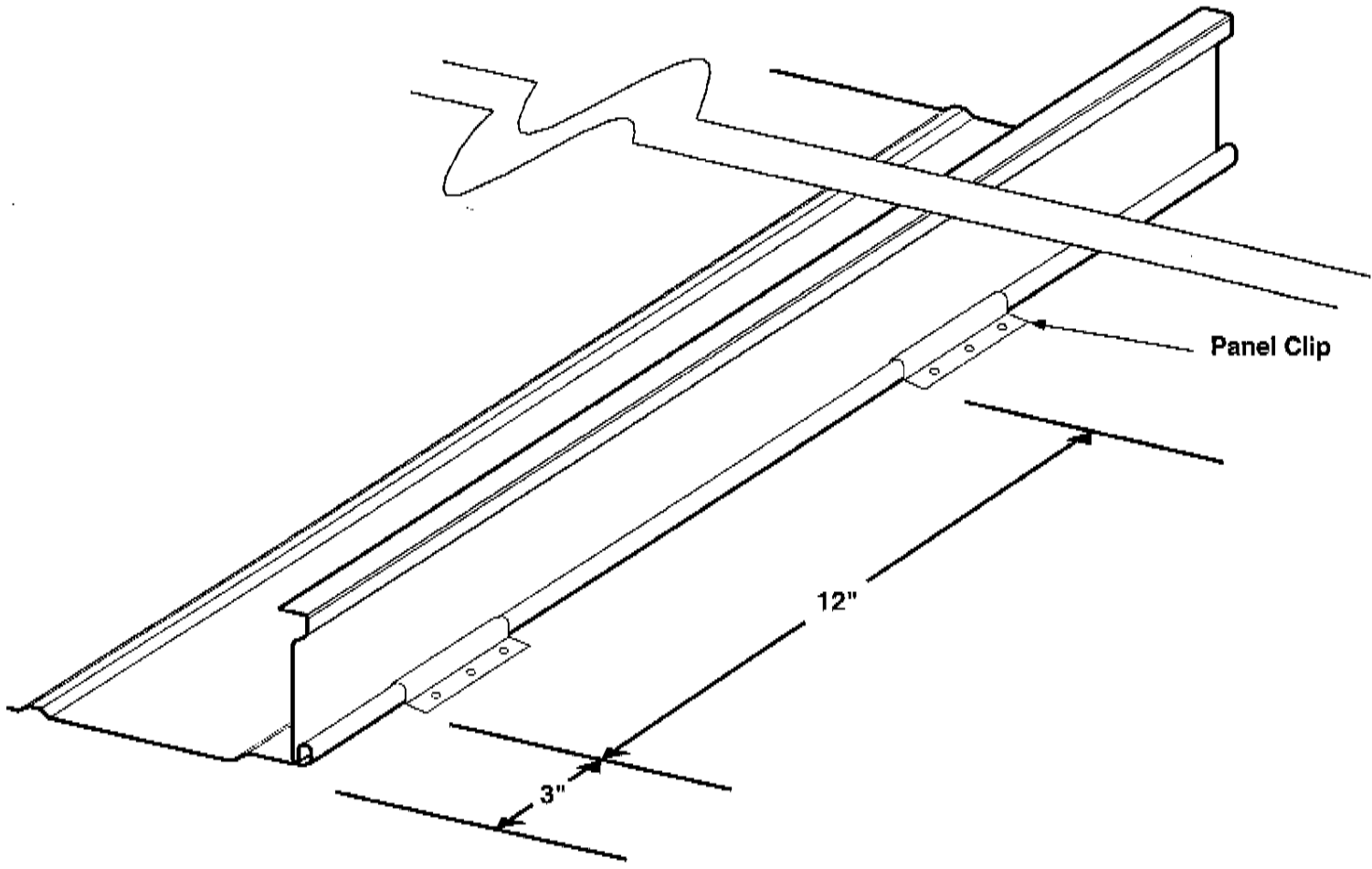
Panel Clip

BEFORE SEAMING

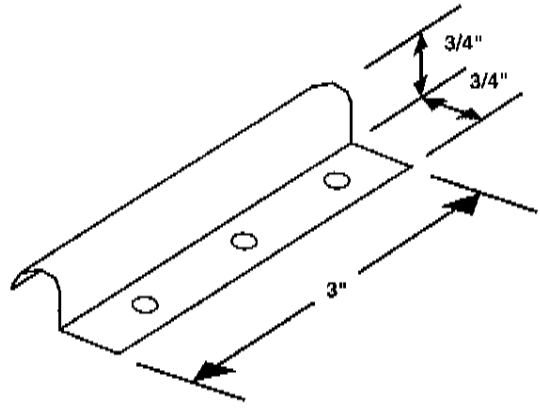


Panel Clip

AFTER SEAMING



CLIP SPACING DETAIL



PANEL CLIP

END OF THIS ACCEPTANCE