

**FABRAL**

Project:

Contractor:

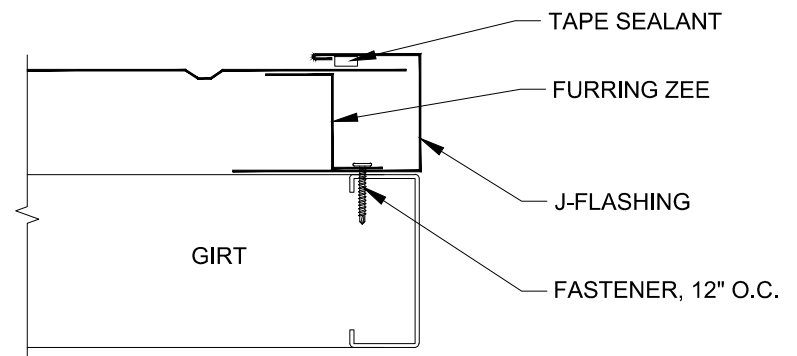
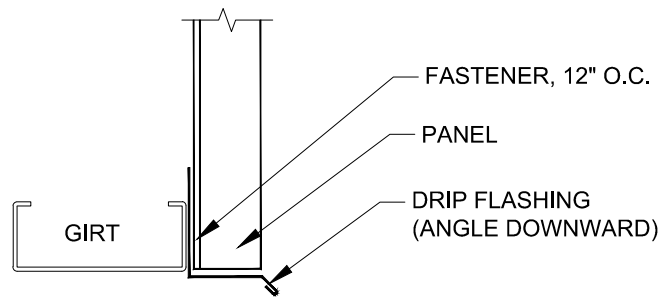
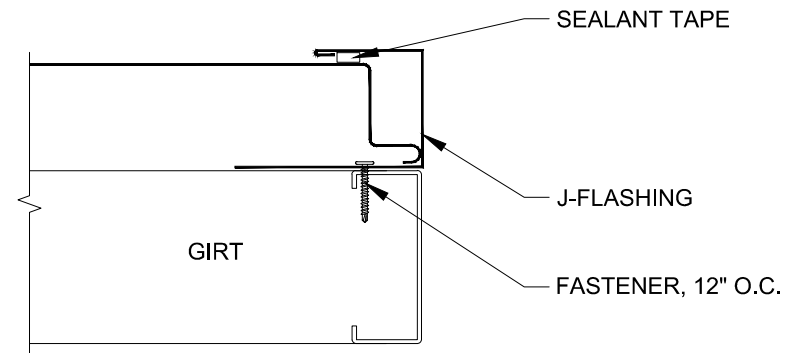
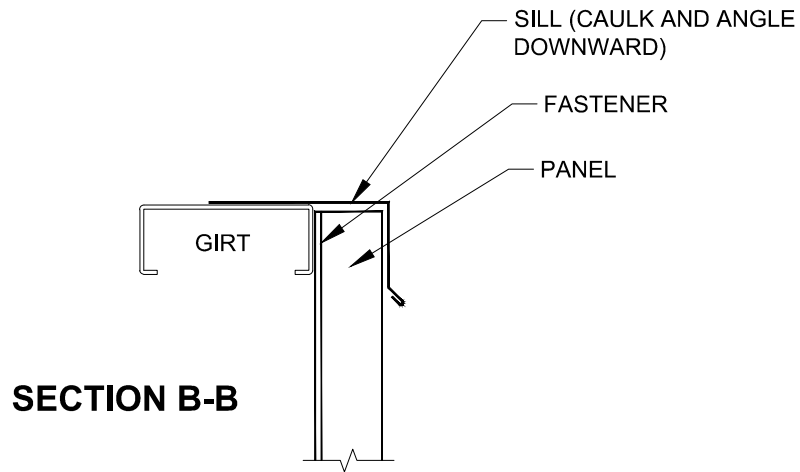
THIS DRAWING IS THE PROPERTY OF FABRAL, INC. THE USE OF THIS DRAWING WITHOUT THE EXPRESS PERMISSION OF FABRAL IS PROHIBITED.

**FABRAL, INC.**  
 3449 Hempland Road  
 Lancaster, PA 17601  
 800-477-2741

**UNINSULATED VERTICAL WALL (UVW-1)**

**SELECT SERIES**

Issued:  
 APRIL 2012



**SECTION C-C**

**FABRAL**

Project:

Contractor:

**WALL SECTIONS A-A, B-B, C-C (UVWS-1)**

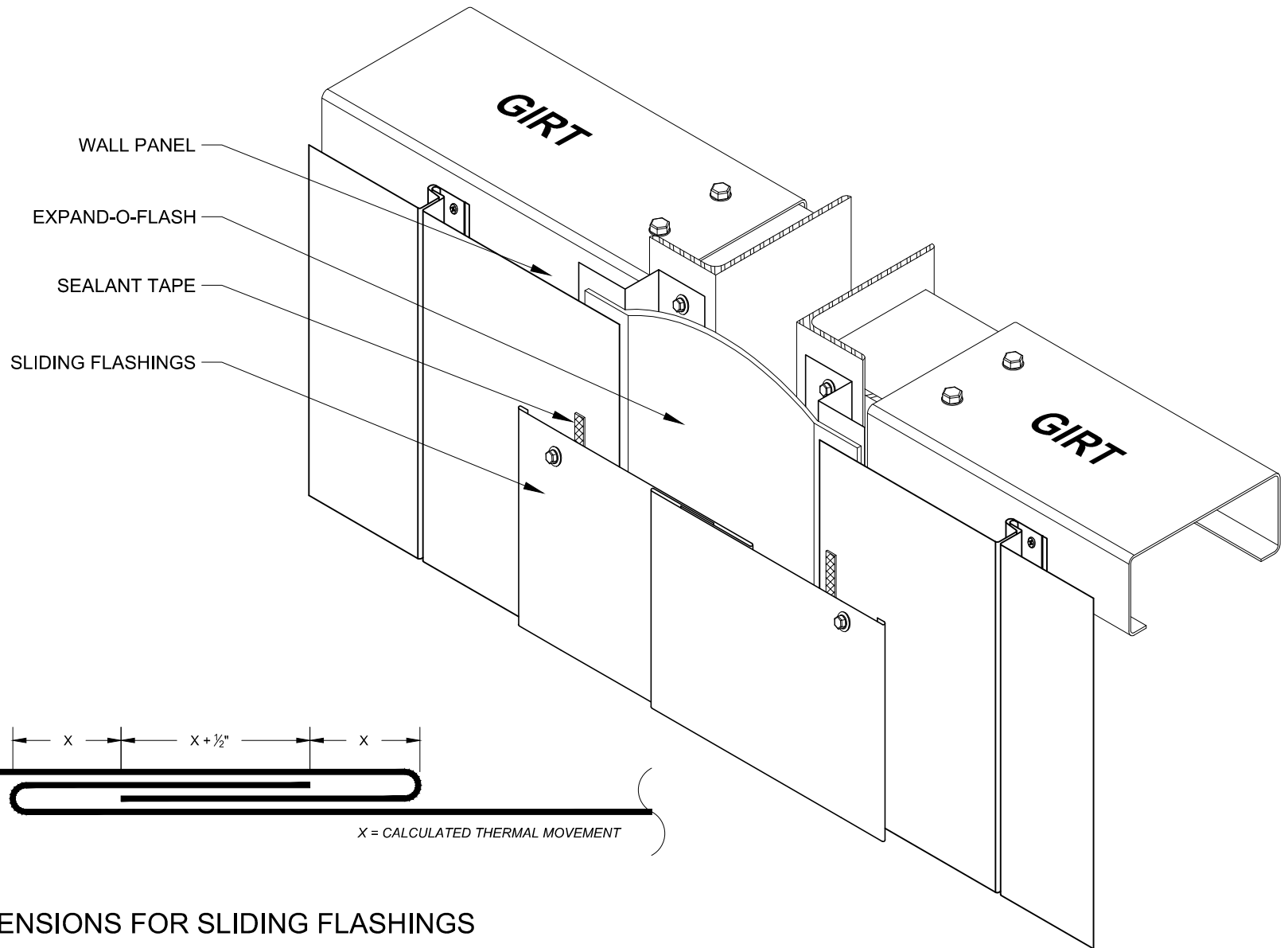
THIS DRAWING IS THE PROPERTY OF FABRAL, INC. THE USE OF THIS DRAWING WITHOUT THE EXPRESS PERMISSION OF FABRAL IS PROHIBITED.

**FABRAL, INC.**  
3449 Hempland Road  
Lancaster, PA 17601  
800-477-2741

**SELECT SERIES**

Issued:

APRIL 2012



DIMENSIONS FOR SLIDING FLASHINGS

**FABRAL**

Project:

Contractor:

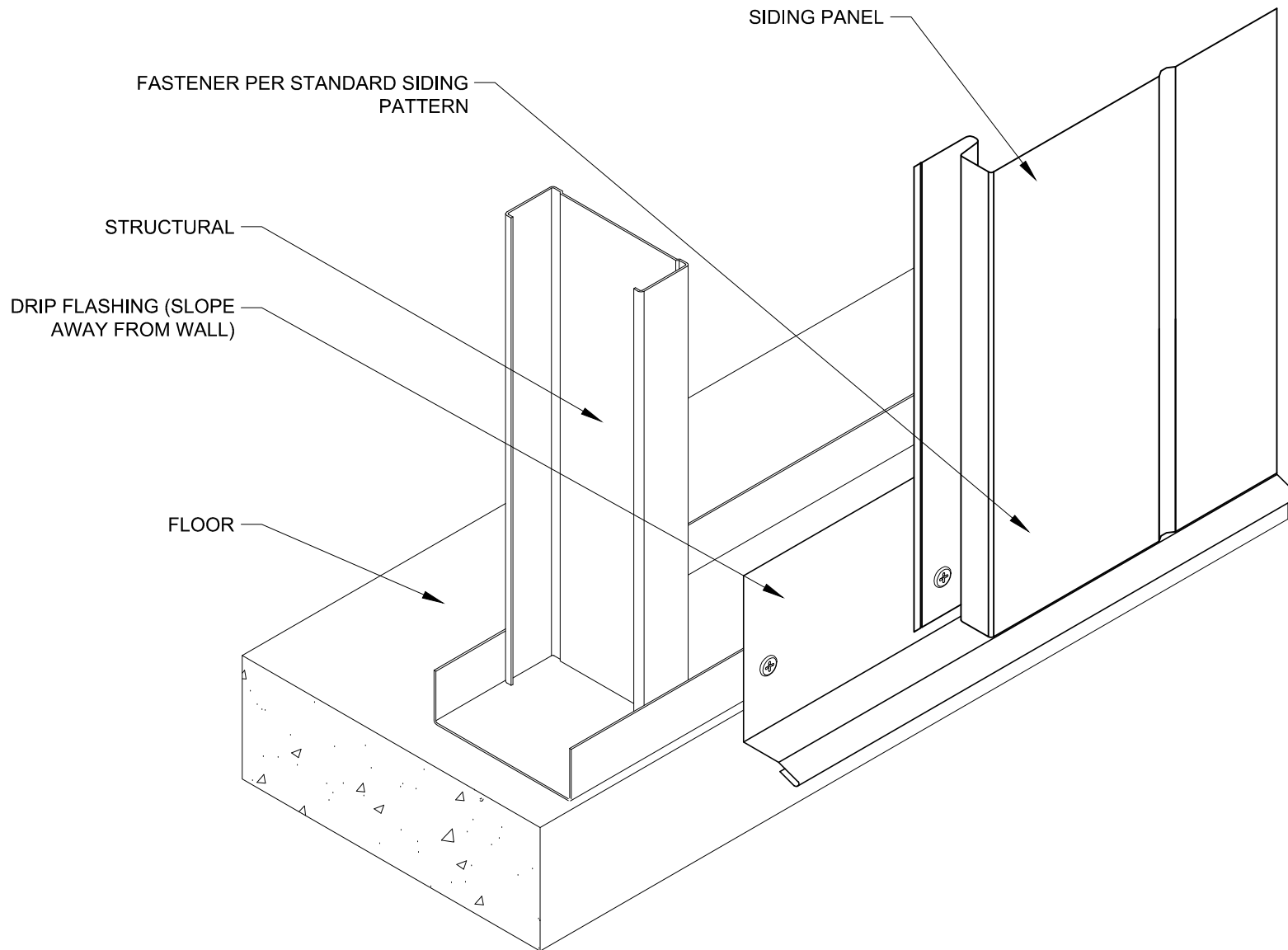
THIS DRAWING IS THE PROPERTY OF FABRAL, INC. THE USE OF THIS DRAWING WITHOUT THE EXPRESS PERMISSION OF FABRAL IS PROHIBITED.

**FABRAL, INC.**  
 3449 Hempland Road  
 Lancaster, PA 17601  
 800-477-2741

**WALL EXPANSION JOINT DETAIL (WEJD-1)**

**SELECT SERIES**

Issued:  
 APRIL 2012



**FABRAL**

Project:

Contractor:

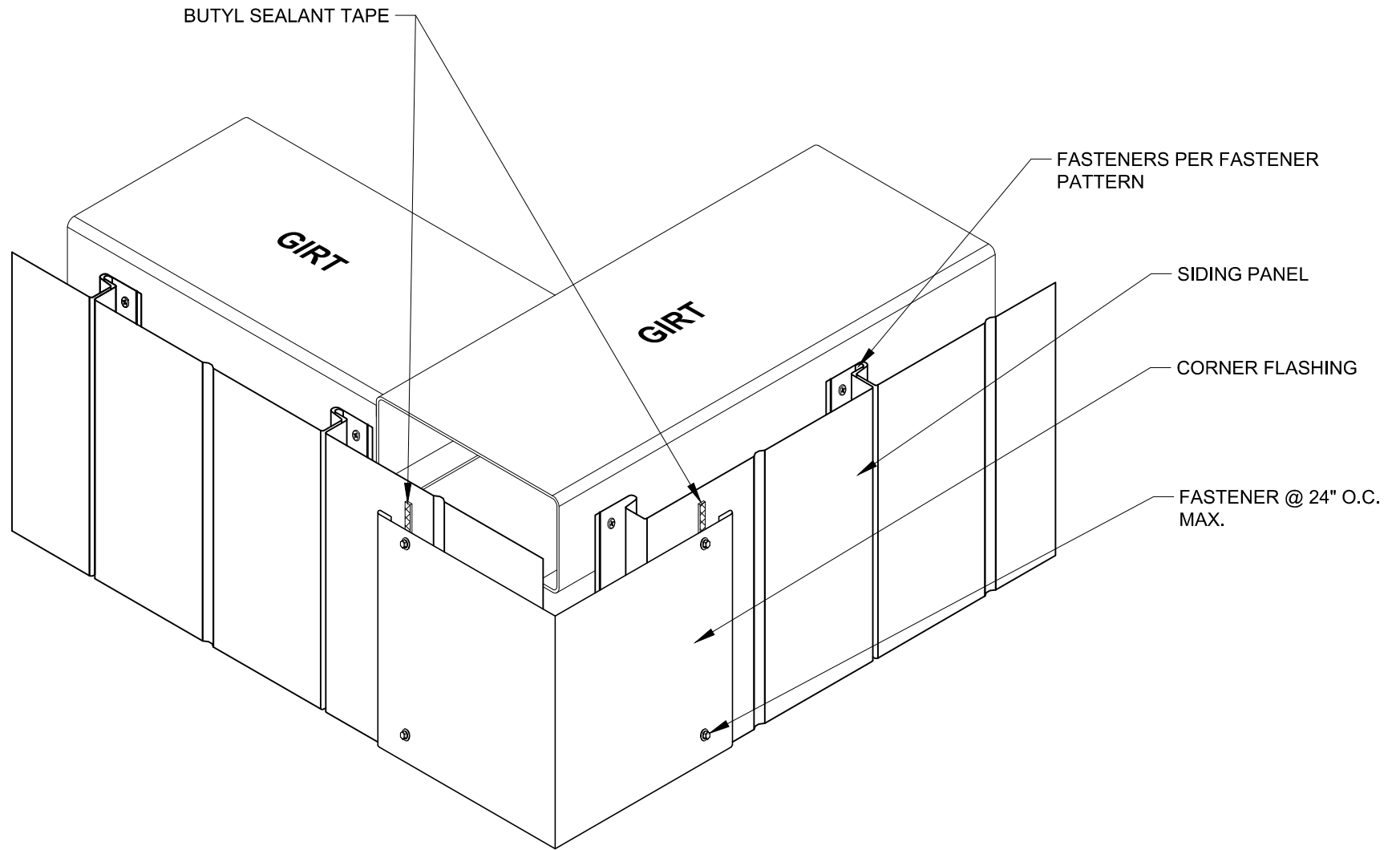
THIS DRAWING IS THE PROPERTY OF FABRAL, INC. THE USE OF THIS DRAWING WITHOUT THE EXPRESS PERMISSION OF FABRAL IS PROHIBITED.

**FABRAL, INC.**  
 3449 Hempland Road  
 Lancaster, PA 17601  
 800-477-2741

**BASE DETAIL (BD-1)**

**SELECT SERIES**

Issued:  
 APRIL 2012



**FABRAL**

Project:

Contractor:

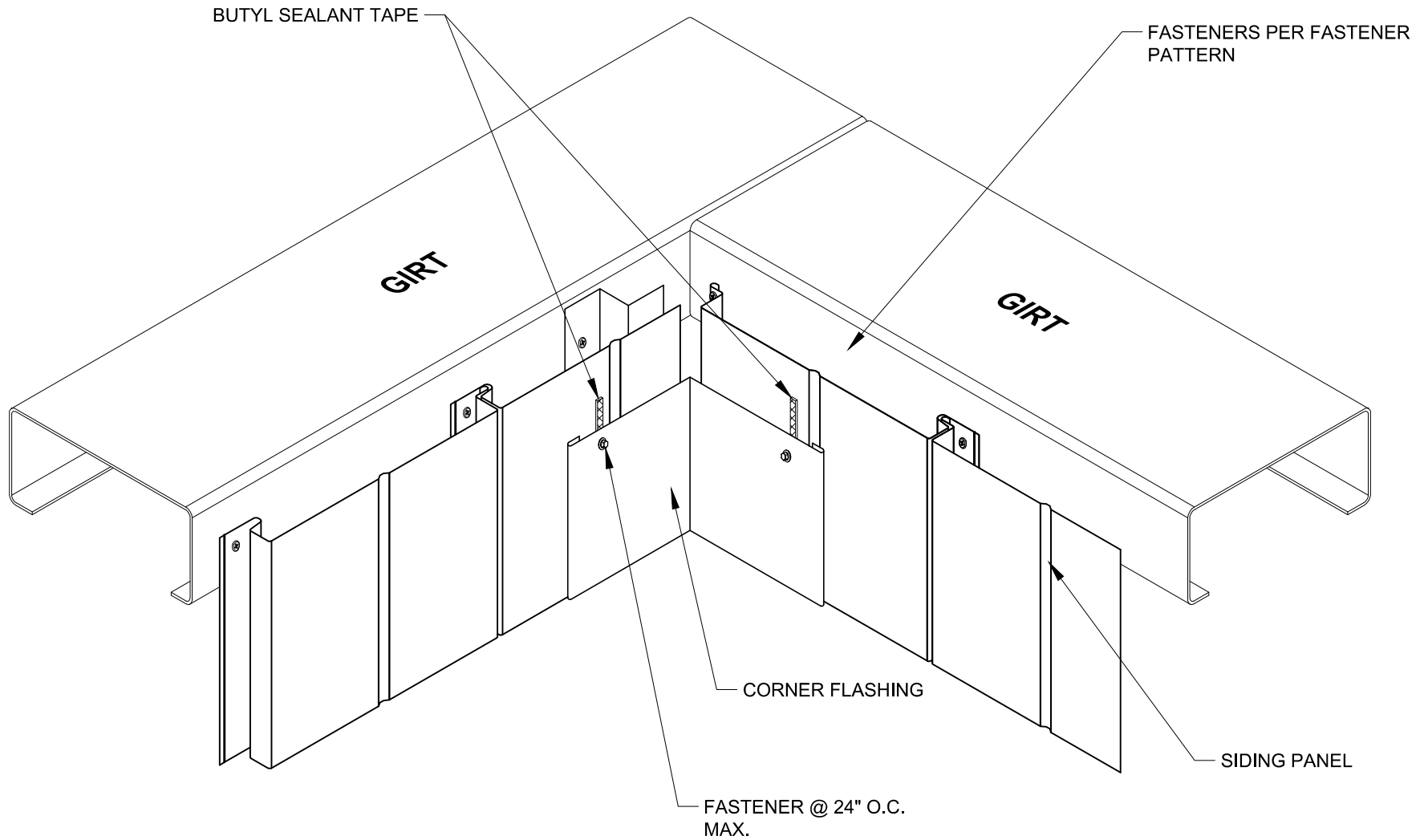
THIS DRAWING IS THE PROPERTY OF FABRAL, INC. THE USE OF THIS DRAWING WITHOUT THE EXPRESS PERMISSION OF FABRAL IS PROHIBITED.

**FABRAL, INC.**  
 3449 Hempland Road  
 Lancaster, PA 17601  
 800-477-2741

**OUTSIDE CORNER DETAIL (OCD-1)**

**SELECT SERIES**

Issued:  
 APRIL 2012



**FABRAL**

Project:

Contractor:

THIS DRAWING IS THE PROPERTY OF FABRAL, INC. THE USE OF THIS DRAWING WITHOUT THE EXPRESS PERMISSION OF FABRAL IS PROHIBITED.

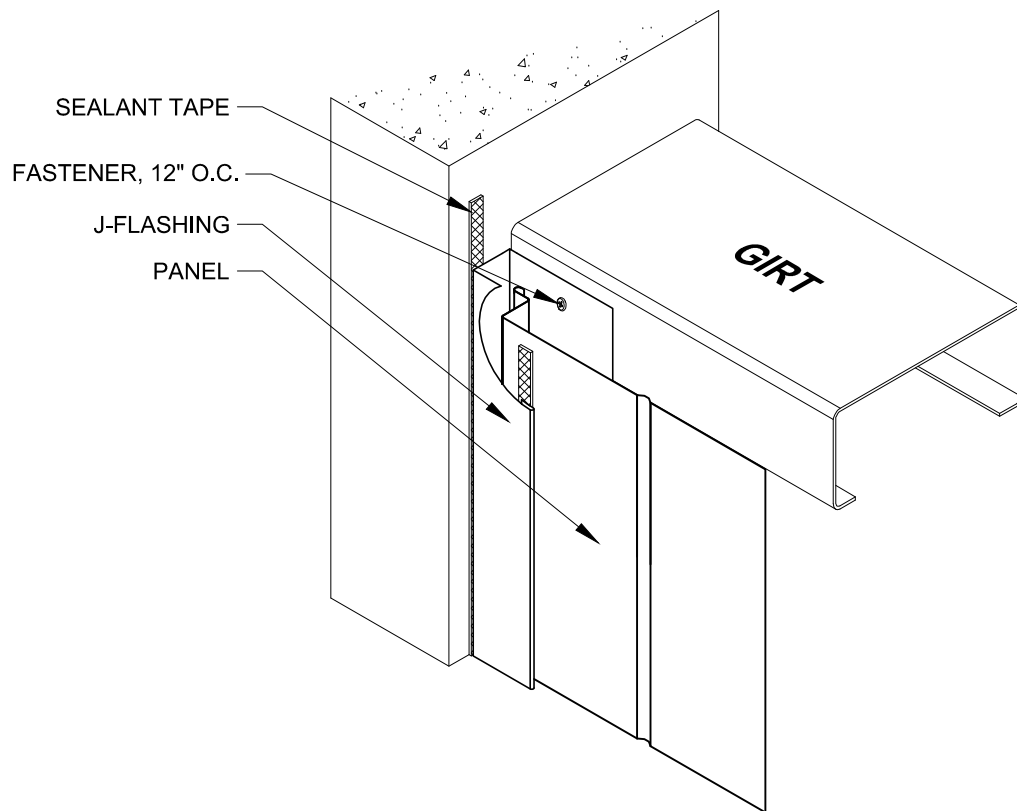
**FABRAL, INC.**  
 3449 Hempland Road  
 Lancaster, PA 17601  
 800-477-2741

**INSIDE CORNER DETAIL (ICD-1)**

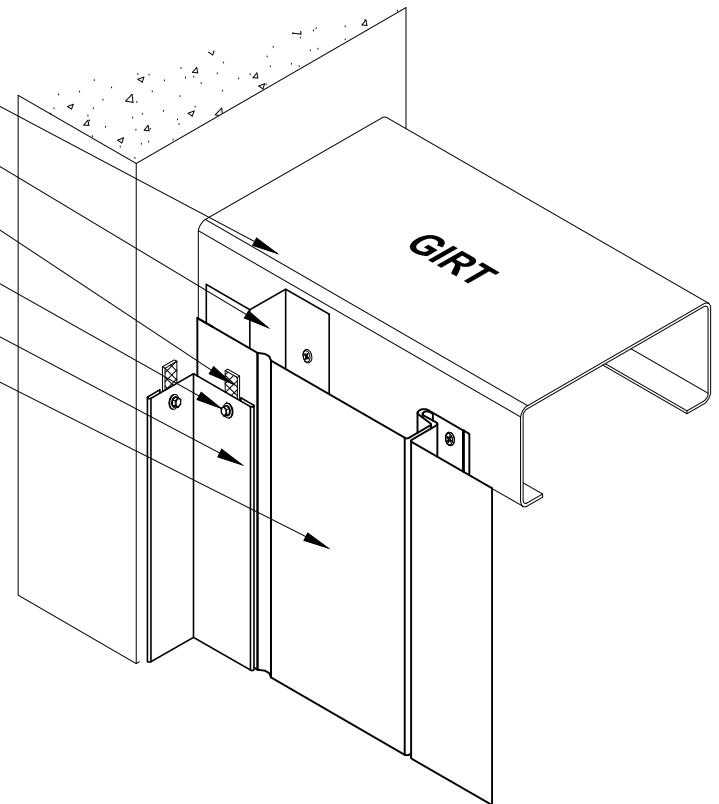
**SELECT SERIES**

Issued:  
 APRIL 2012

**SIDEWALL (HIGH)**



- WALL GIRT
- SUBGIRT
- SEALANT TAPE
- FASTENER, 12" O.C.
- FLASHING
- PANEL



**SIDEWALL (LOW)**

**FABRAL**

Project:

Contractor:

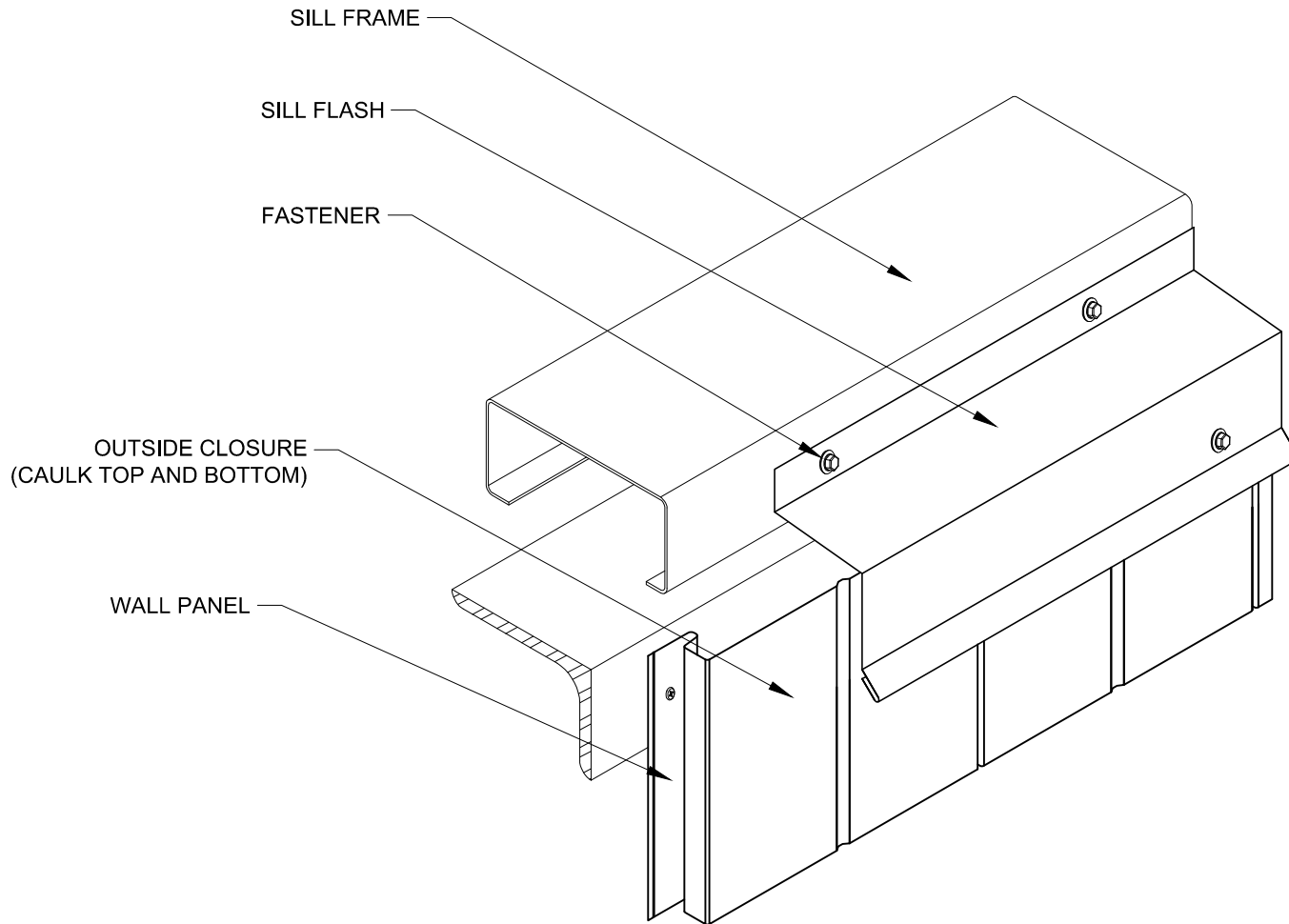
THIS DRAWING IS THE PROPERTY OF FABRAL, INC. THE USE OF THIS DRAWING WITHOUT THE EXPRESS PERMISSION OF FABRAL IS PROHIBITED.

**FABRAL, INC.**  
 3449 Hempland Road  
 Lancaster, PA 17601  
 800-477-2741

**SIDEWALL LOW / HIGH DETAIL (SWD-1)**

**SELECT SERIES**

Issued:  
 APRIL 2012



**FABRAL**

Project:

Contractor:

THIS DRAWING IS THE  
PROPERTY OF FABRAL,  
INC. THE USE OF THIS  
DRAWING WITHOUT THE  
EXPRESS PERMISSION OF  
FABRAL IS PROHIBITED.

**FABRAL, INC.**  
3449 Hempland Road  
Lancaster, PA 17601  
800-477-2741

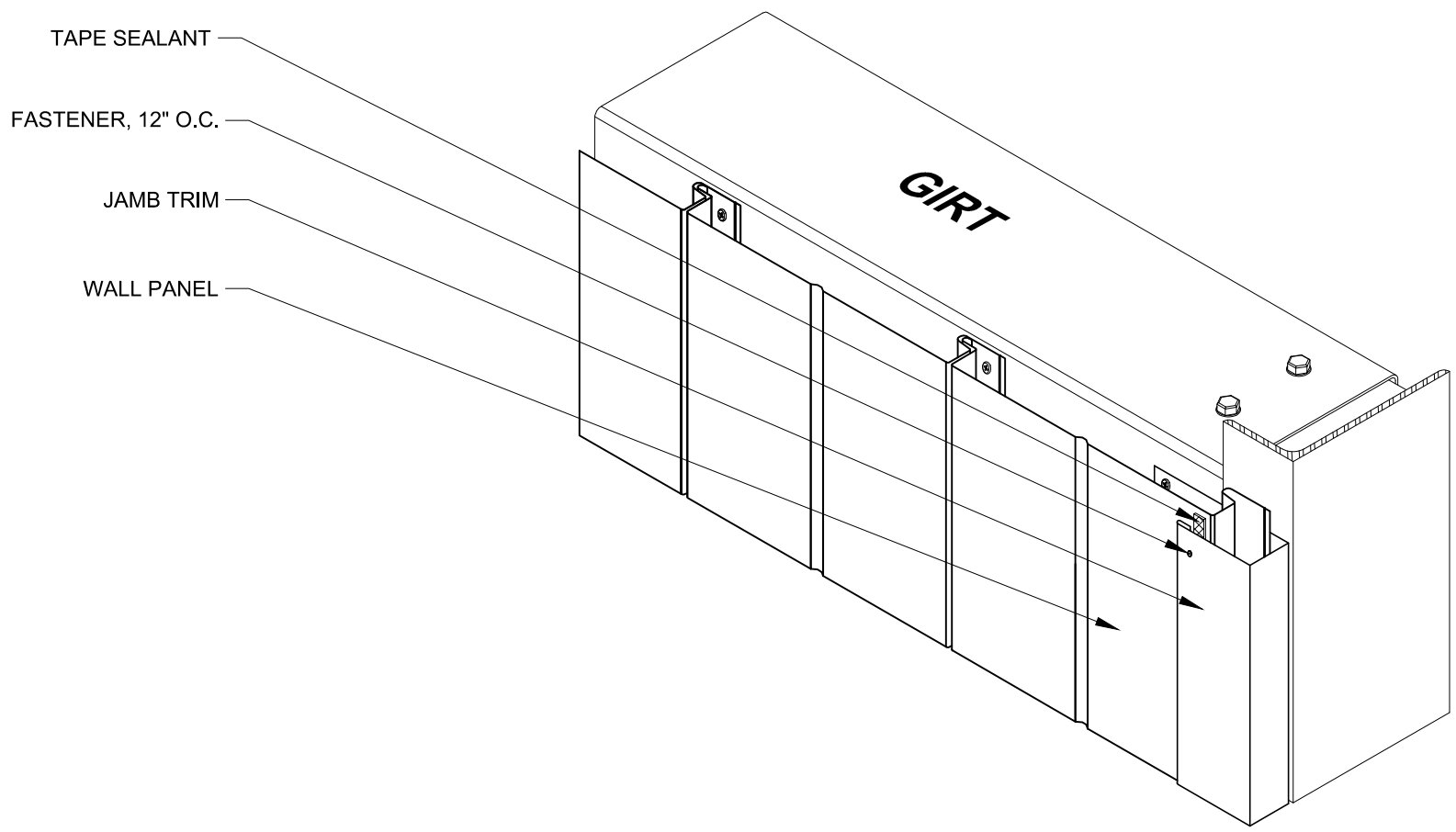
**SILL DETIAL (SD-1)**

**SELECT SERIES**

Issued:

APRIL 2012





**FABRAL**

Project:

Contractor:

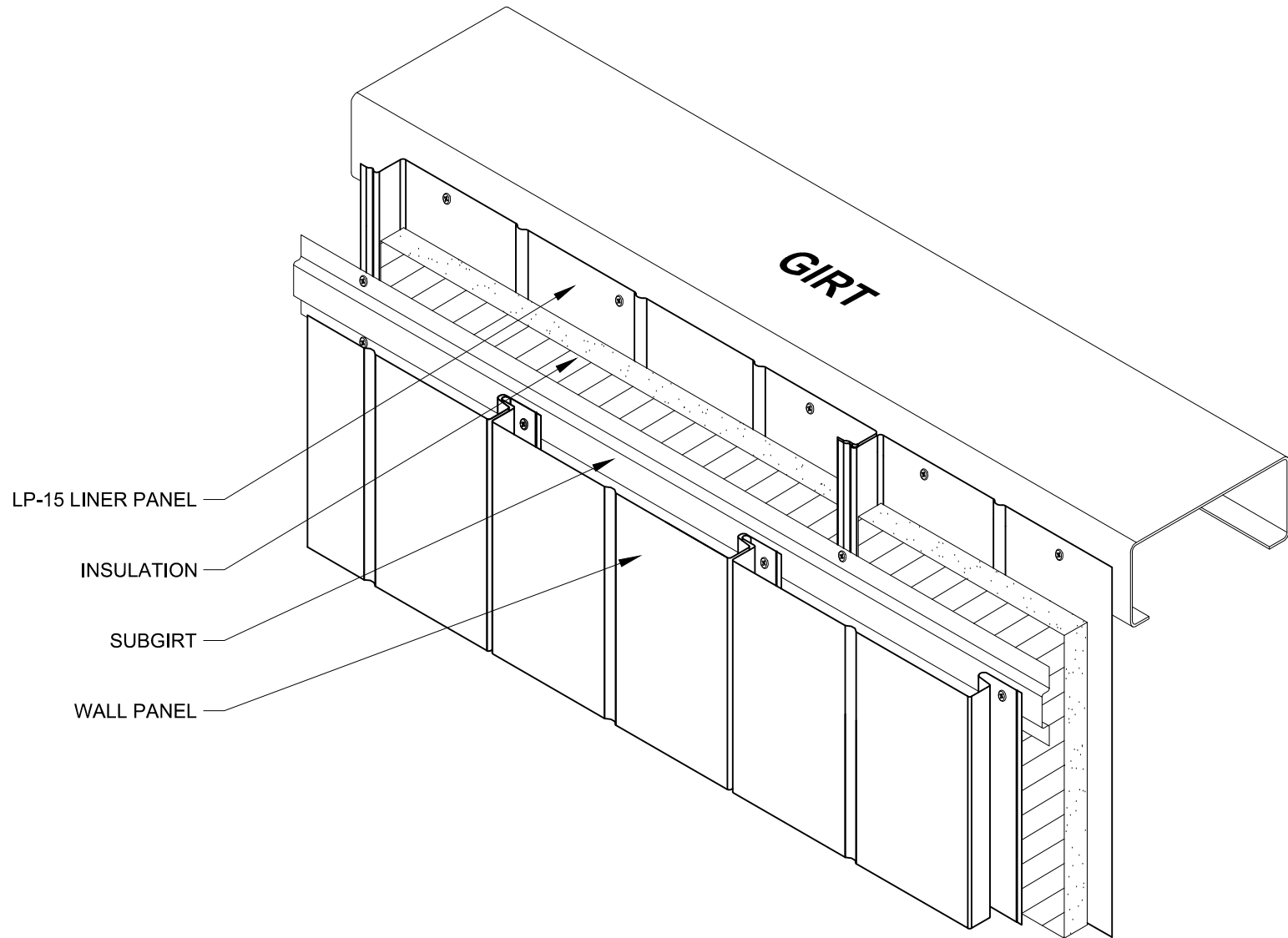
THIS DRAWING IS THE PROPERTY OF FABRAL, INC. THE USE OF THIS DRAWING WITHOUT THE EXPRESS PERMISSION OF FABRAL IS PROHIBITED.

**FABRAL, INC.**  
 3449 Hempland Road  
 Lancaster, PA 17601  
 800-477-2741

**JAMB DETAIL (JD-1)**

**SELECT SERIES**

Issued:  
 APRIL 2012



LP-15 LINER PANEL

INSULATION

SUBGIRT

WALL PANEL

**FABRAL**

Project:

Contractor:

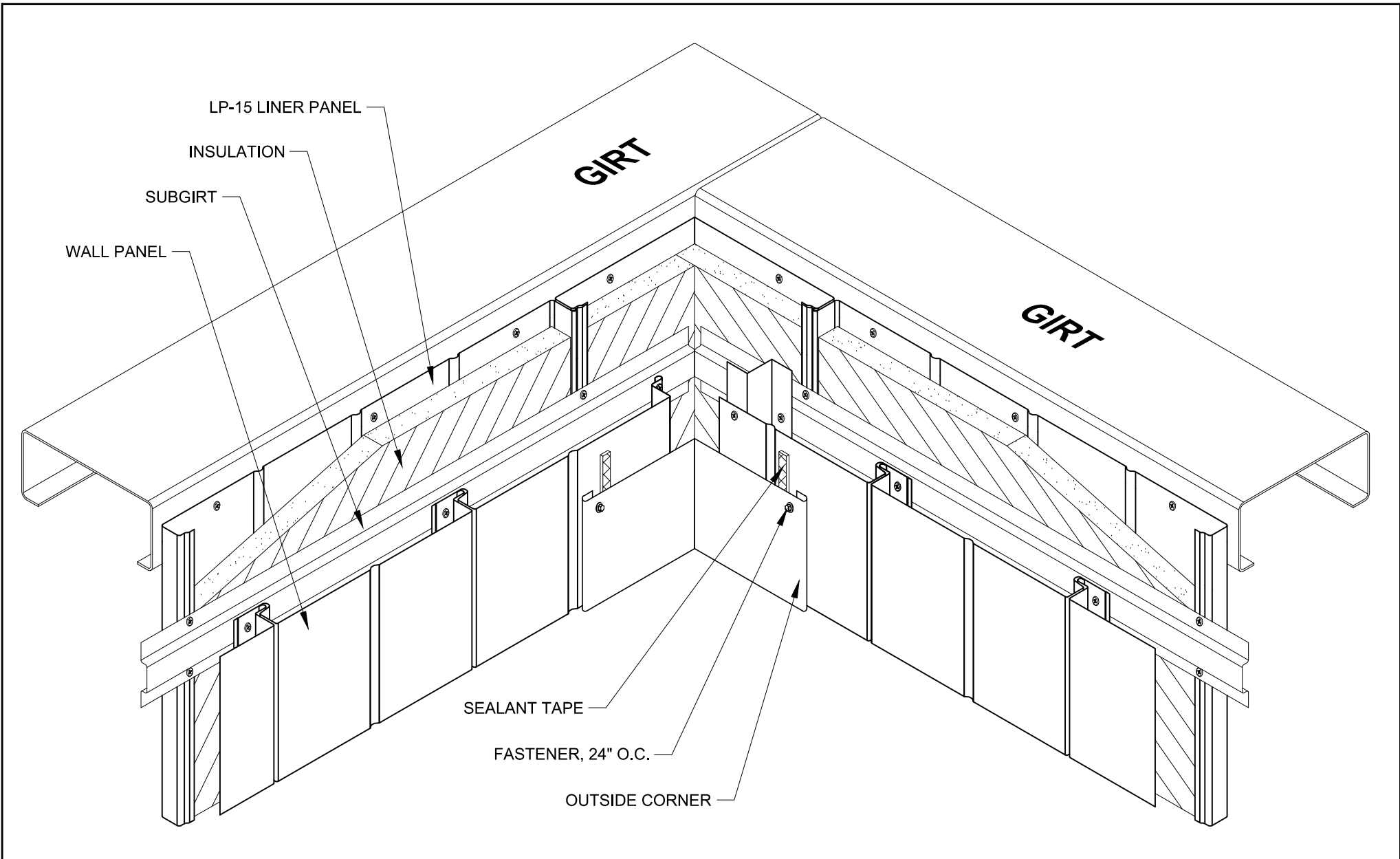
**INSULATED WALL ASSEMBLY (IWA-1)**

THIS DRAWING IS THE PROPERTY OF FABRAL, INC. THE USE OF THIS DRAWING WITHOUT THE EXPRESS PERMISSION OF FABRAL IS PROHIBITED.

**FABRAL, INC.**  
 3449 Hempland Road  
 Lancaster, PA 17601  
 800-477-2741

**SELECT SERIES**

Issued:  
 APRIL 2012



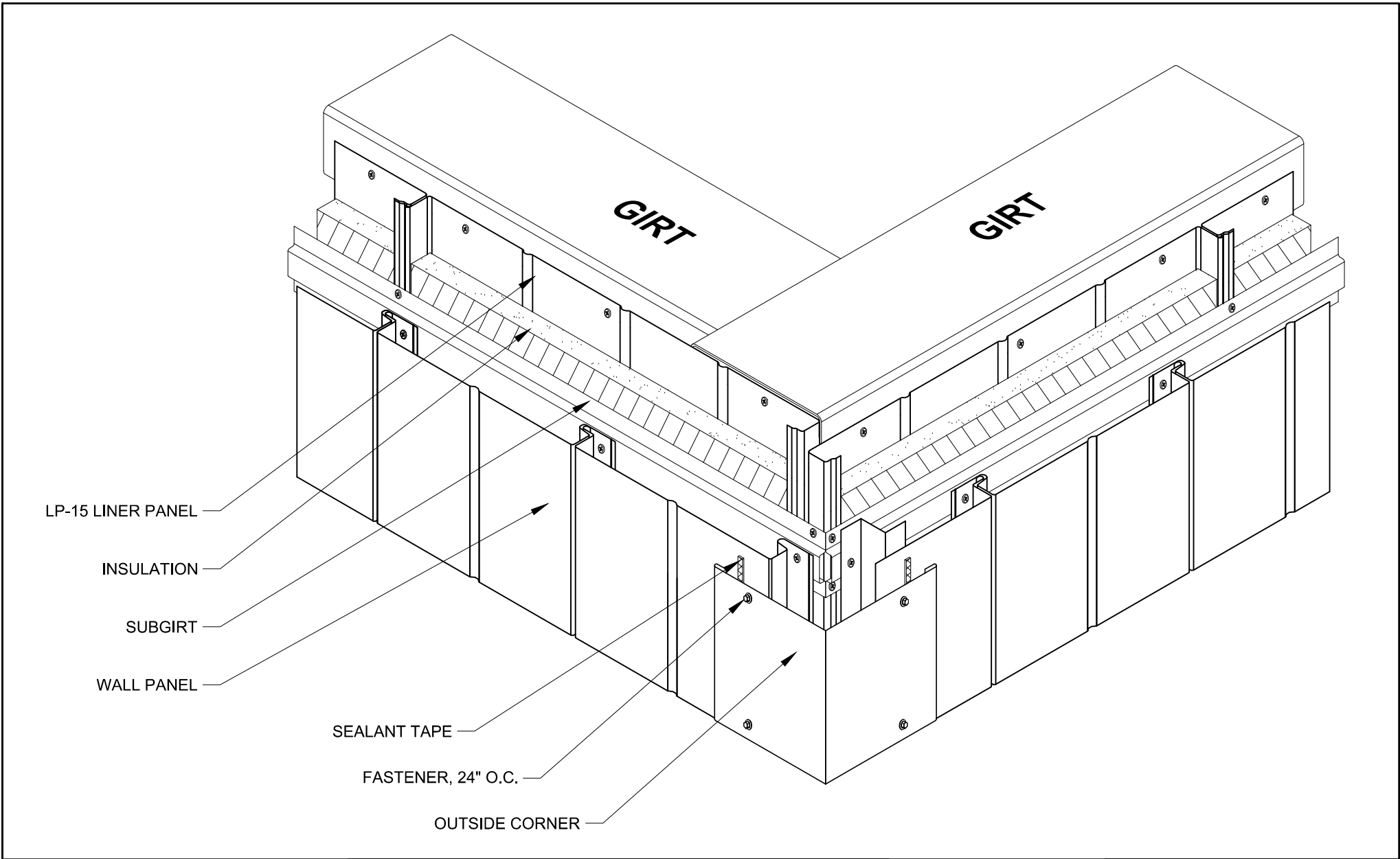
**FABRAL**

Project: \_\_\_\_\_  
 Contractor: \_\_\_\_\_  
**INSULATED INSIDE CORNER (IIC-1)**

THIS DRAWING IS THE PROPERTY OF FABRAL, INC. THE USE OF THIS DRAWING WITHOUT THE EXPRESS PERMISSION OF FABRAL IS PROHIBITED.

**FABRAL, INC.**  
 3449 Hempland Road  
 Lancaster, PA 17601  
 800-477-2741  
 Issued:  
 APRIL 2012

**SELECT SERIES**



**FABRAL**

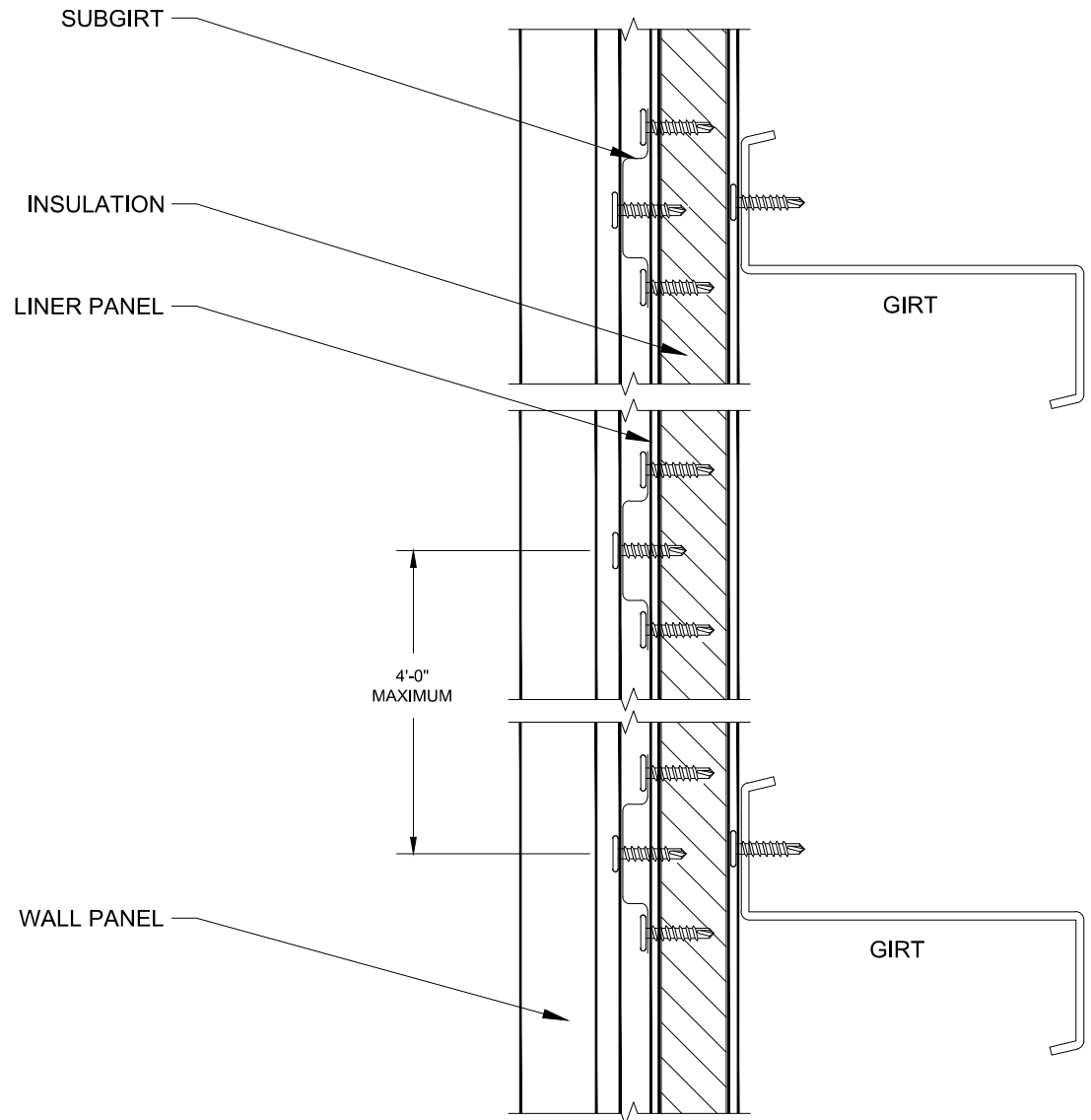
Project: \_\_\_\_\_  
 Contractor: \_\_\_\_\_  
**INSULATED OUTSIDE CORNER (IOC-1)**

THIS DRAWING IS THE PROPERTY OF FABRAL, INC. THE USE OF THIS DRAWING WITHOUT THE EXPRESS PERMISSION OF FABRAL IS PROHIBITED.

**FABRAL, INC.**  
 3449 Hempland Road  
 Lancaster, PA 17601  
 800-477-2741

Issued:  
 APRIL 2012

**SELECT SERIES**



**FABRAL**

Project:

Contractor:

THIS DRAWING IS THE PROPERTY OF FABRAL, INC. THE USE OF THIS DRAWING WITHOUT THE EXPRESS PERMISSION OF FABRAL IS PROHIBITED.

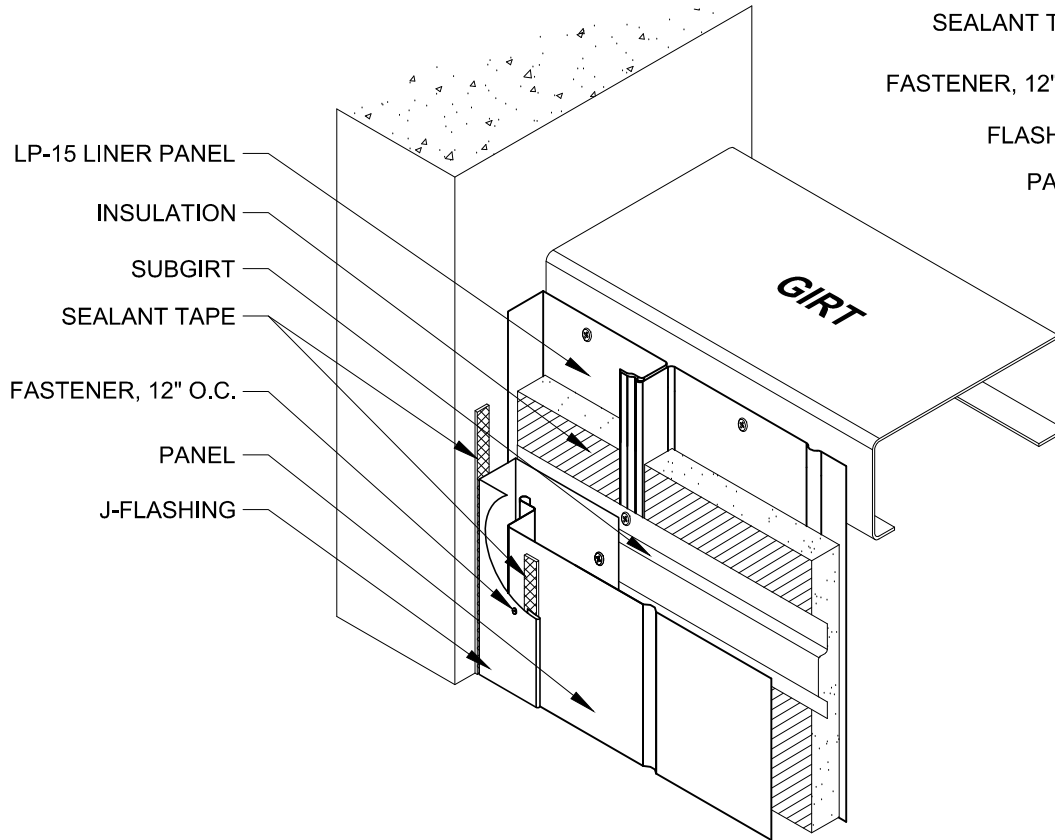
**FABRAL, INC.**  
 3449 Hempland Road  
 Lancaster, PA 17601  
 800-477-2741

**INSULATED WALL SECTION (IWS-1)**

**SELECT SERIES**

Issued:

**SIDEWALL (LEG)**



LP-15 LINER PANEL

INSULATION

SUBGIRT

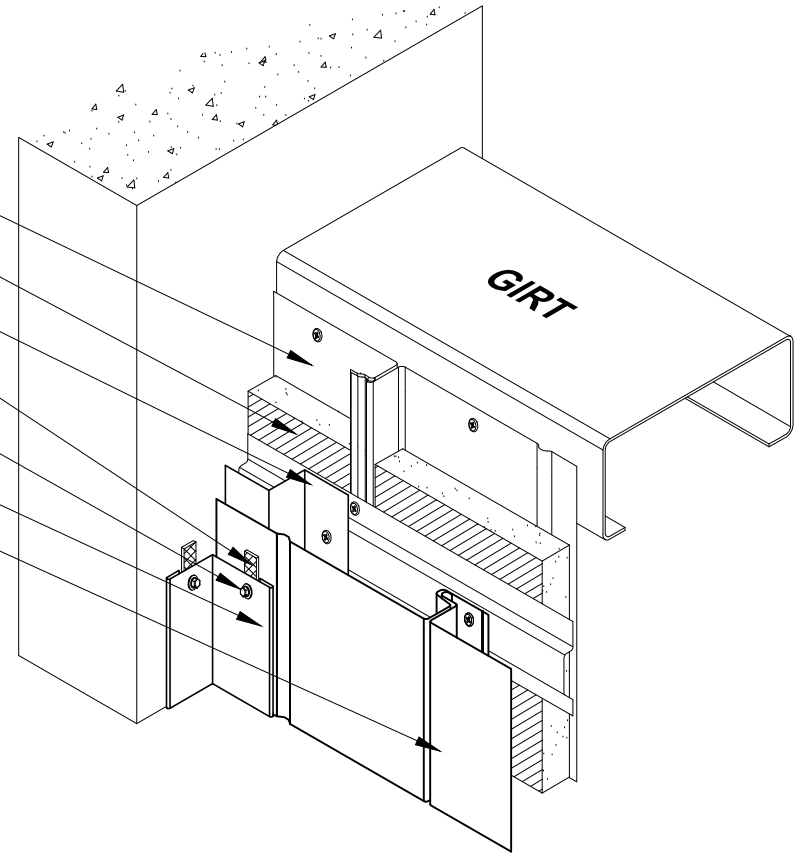
SEALANT TAPE

FASTENER, 12" O.C.

FLASHING

PANEL

**SIDEWALL (NO LEG)**



**FABRAL**

Project:

Contractor:

**INSULATED SIDEWALL LOW / HIGH (ISW-1)**

THIS DRAWING IS THE PROPERTY OF FABRAL, INC. THE USE OF THIS DRAWING WITHOUT THE EXPRESS PERMISSION OF FABRAL IS PROHIBITED.

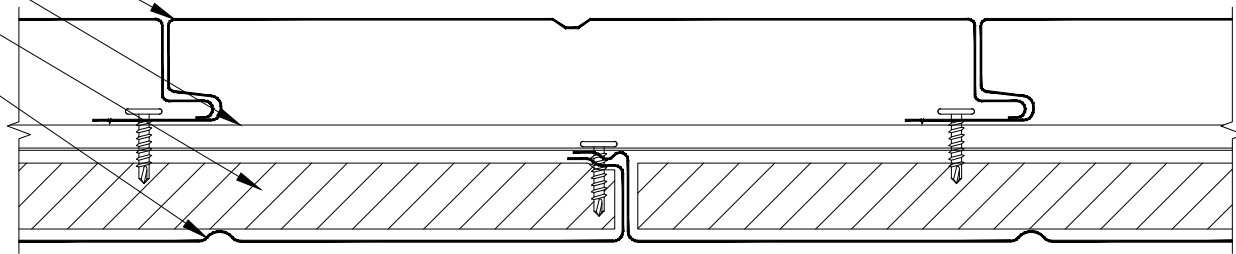
**SELECT SERIES**

**FABRAL, INC.**  
3449 Hempland Road  
Lancaster, PA 17601  
800-477-2741

Issued:

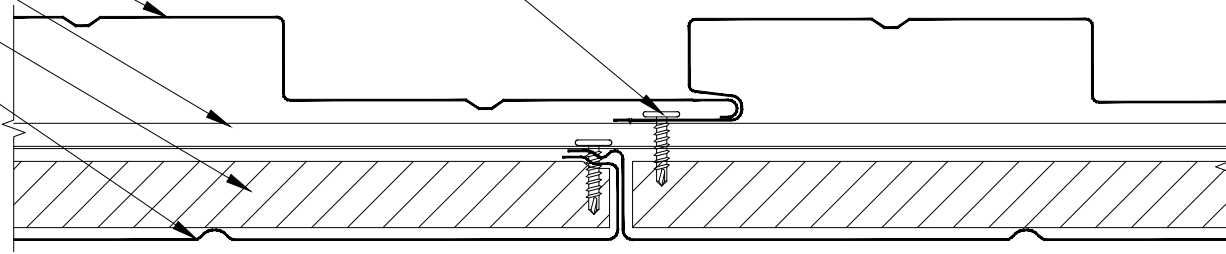
APRIL 2012

WALL PANEL  
 SUBGIRT  
 INSULATION  
 LINER PANEL



WALL PANEL  
 SUBGIRT  
 INSULATION  
 LINER PANEL

FASTENER



**FABRAL**

Project:

Contractor:

THIS DRAWING IS THE PROPERTY OF FABRAL, INC. THE USE OF THIS DRAWING WITHOUT THE EXPRESS PERMISSION OF FABRAL IS PROHIBITED.

**FABRAL, INC.**  
 3449 Hempland Road  
 Lancaster, PA 17601  
 800-477-2741

**INSULATED WALL SECTIONS (IWS-2)**

**SELECT SERIES**

Issued: