

FABRAL

Project:

Contractor:

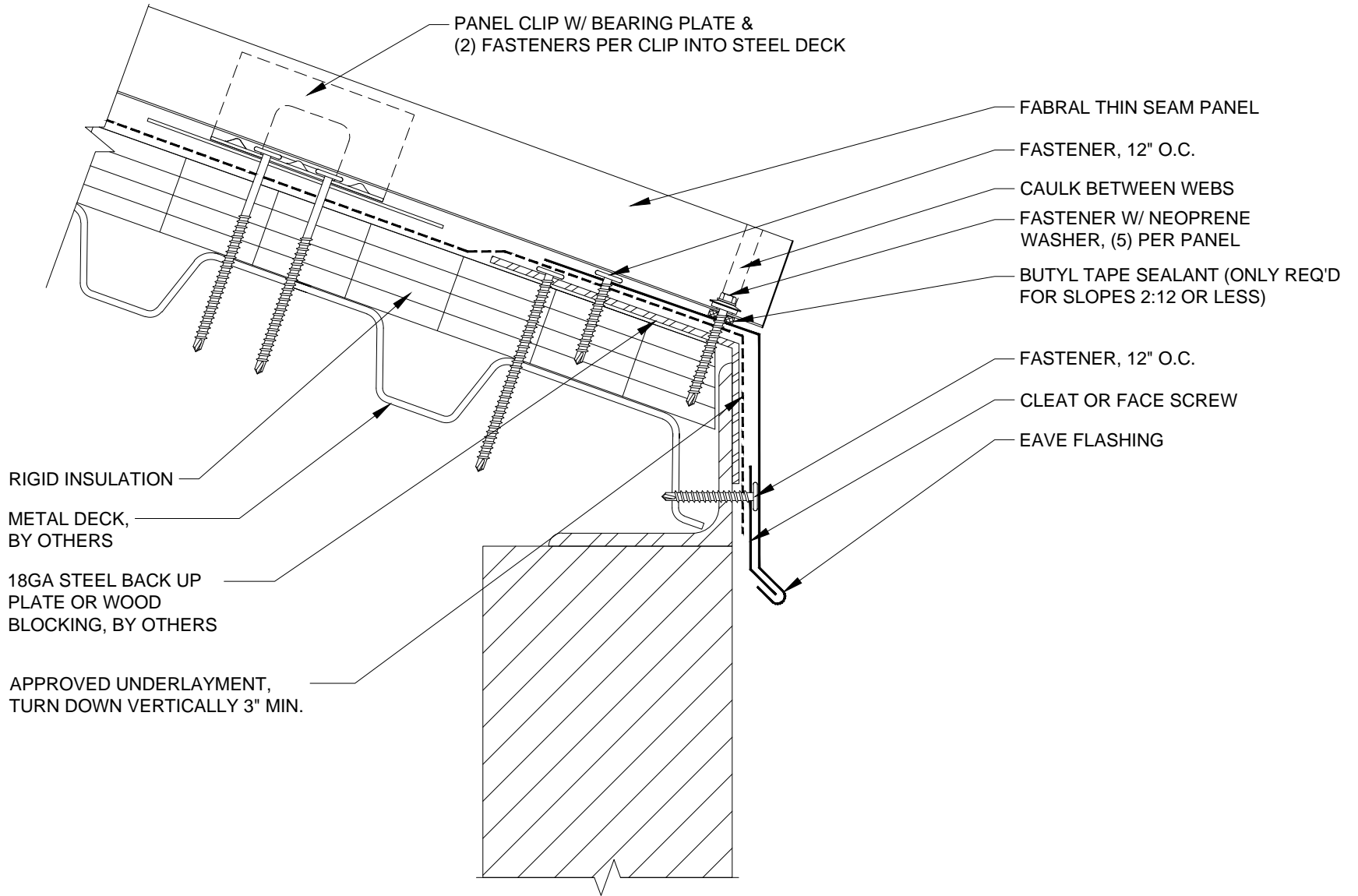
THIS DRAWING IS THE PROPERTY OF FABRAL, INC. THE USE OF THIS DRAWING WITHOUT THE EXPRESS PERMISSION OF FABRAL IS PROHIBITED.

FABRAL, INC.
 3449 Hempland Road
 Lancaster, PA 17601
 800-477-2741

FIXED HIP/RIDGE DETAIL (HR-1)

THIN SEAM

Issued:
 APRIL 2012



FABRAL

Project:

Contractor:

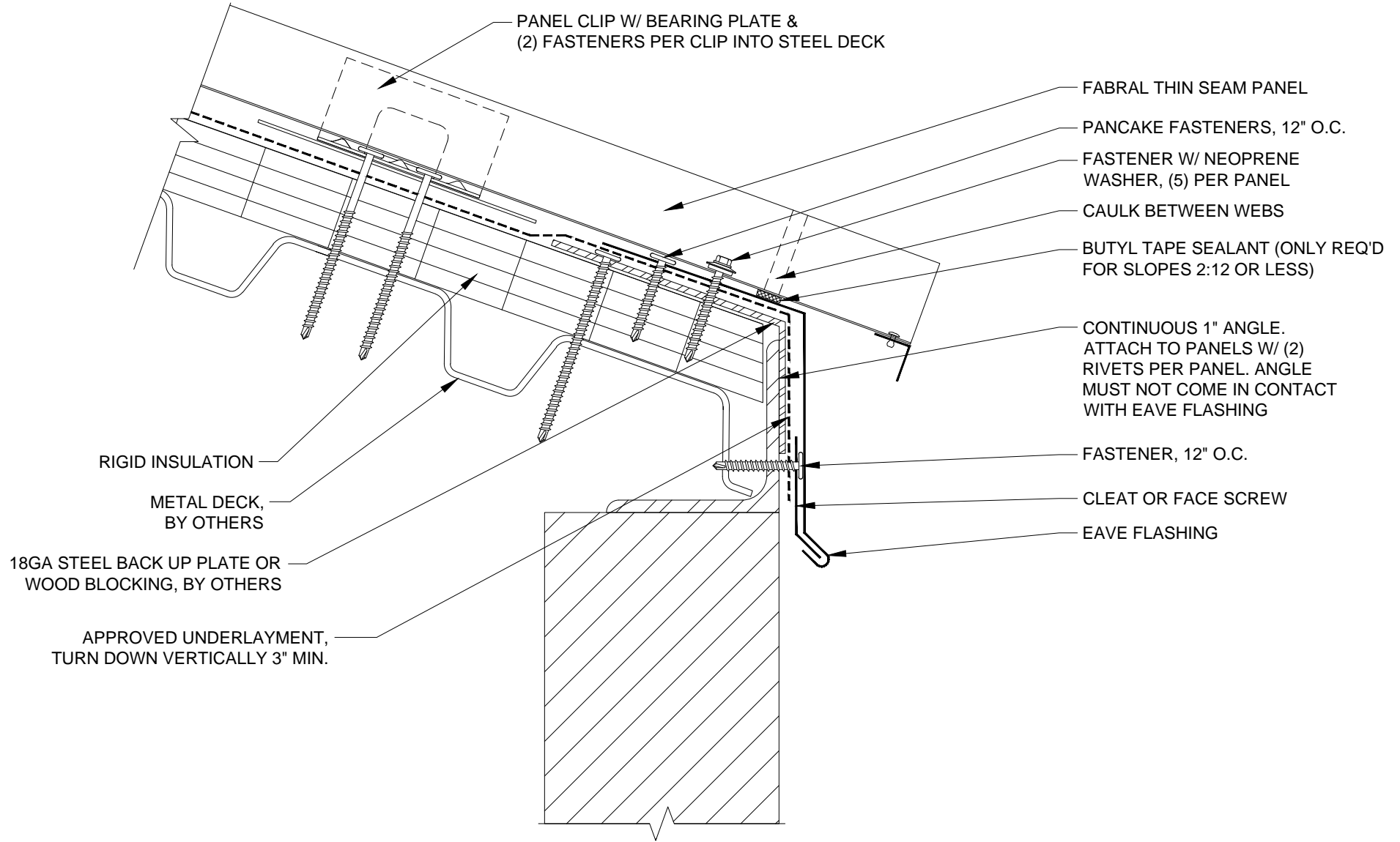
THIS DRAWING IS THE PROPERTY OF FABRAL, INC. THE USE OF THIS DRAWING WITHOUT THE EXPRESS PERMISSION OF FABRAL IS PROHIBITED.

FABRAL, INC.
 3449 Hempland Road
 Lancaster, PA 17601
 800-477-2741

FIXED EAVE DETAIL (FE-2)

THIN SEAM

Issued:
 APRIL 2012



FABRAL

Project:

Contractor:

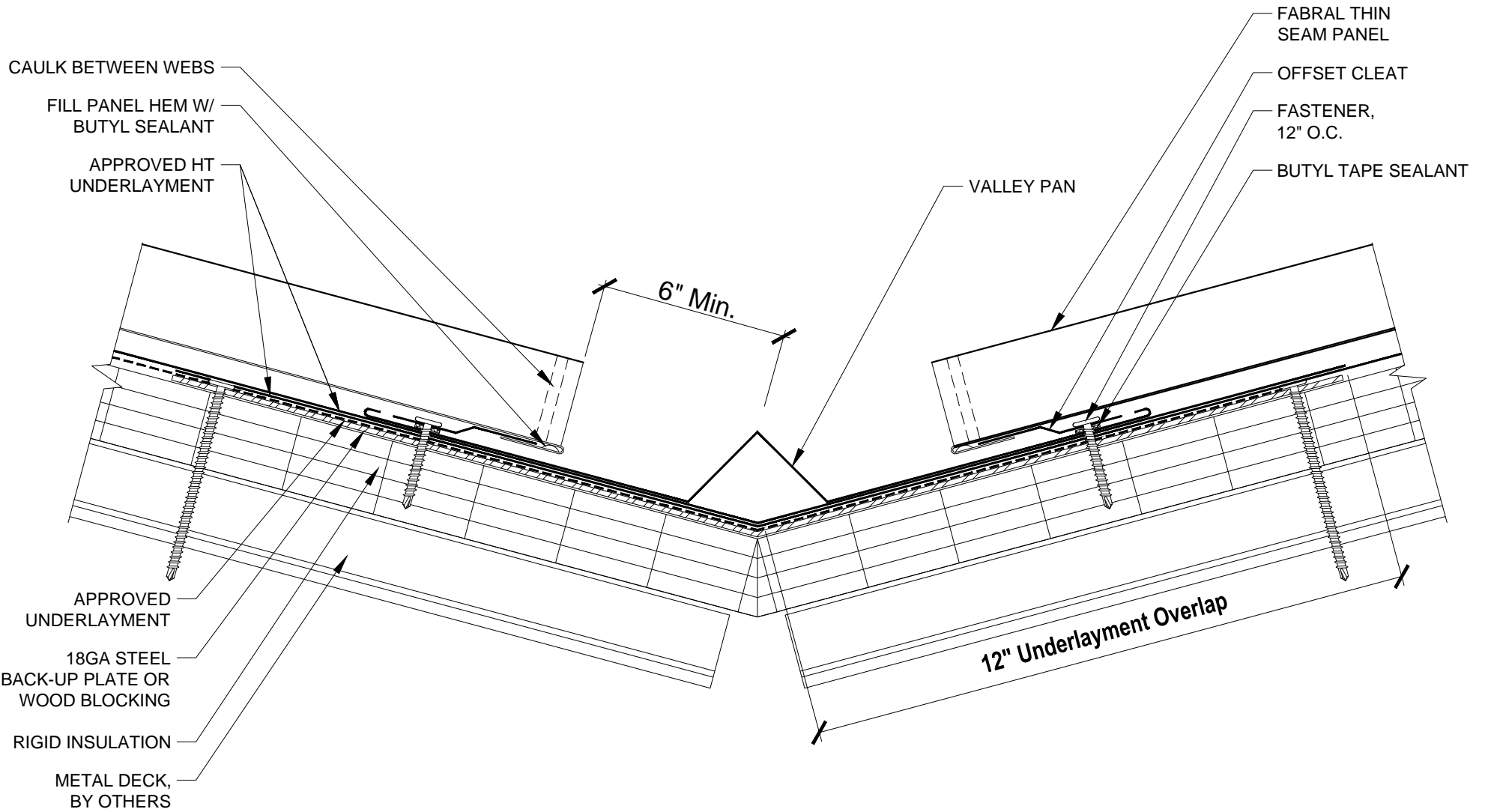
THIS DRAWING IS THE PROPERTY OF FABRAL, INC. THE USE OF THIS DRAWING WITHOUT THE EXPRESS PERMISSION OF FABRAL IS PROHIBITED.

FABRAL, INC.
 3449 Hempland Road
 Lancaster, PA 17601
 800-477-2741

FIXED EAVE DETAIL (FE-1)

THIN SEAM

Issued:
 APRIL 2012



FABRAL

Project: _____

Contractor: _____

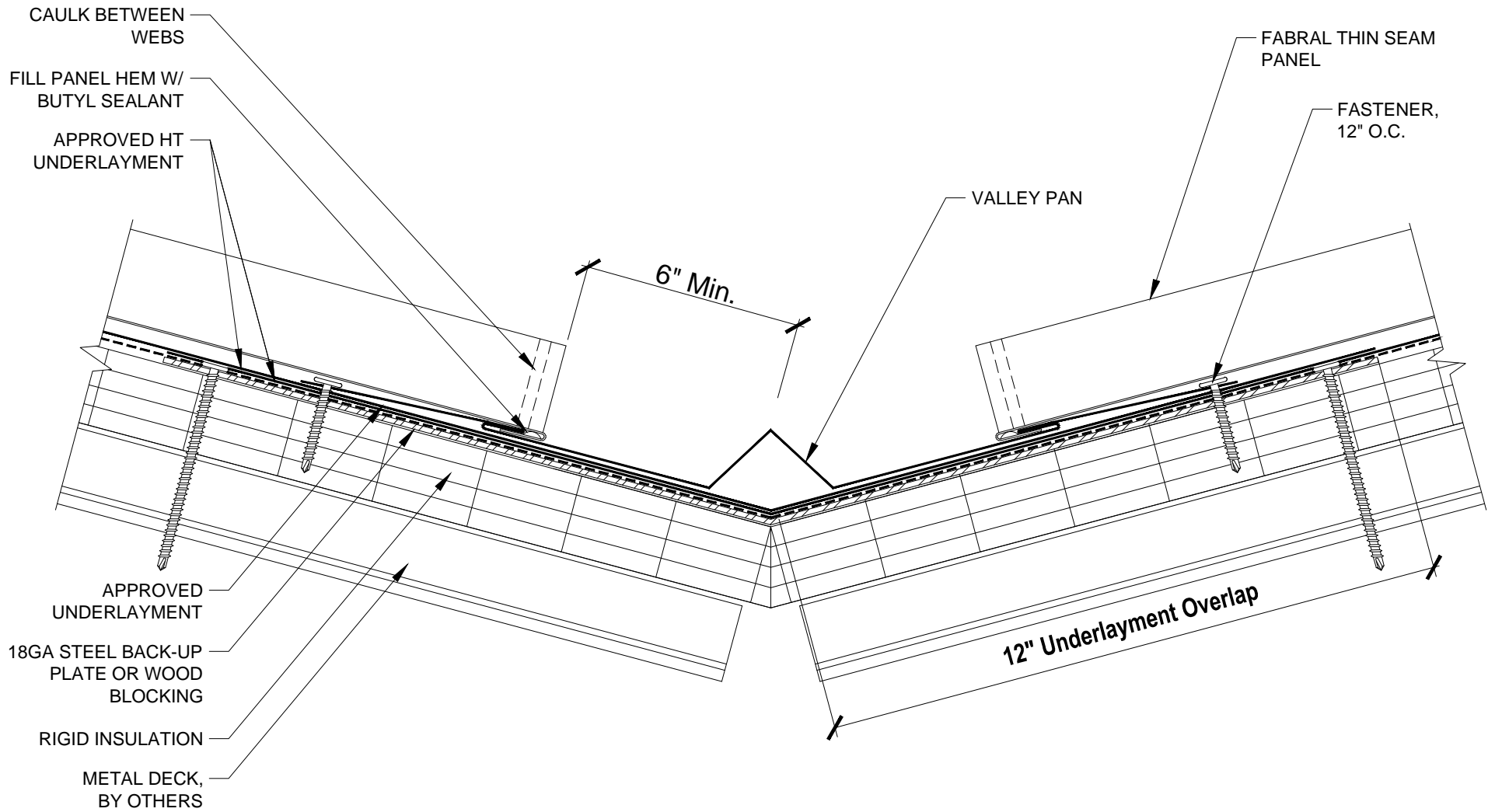
THIS DRAWING IS THE PROPERTY OF FABRAL, INC. THE USE OF THIS DRAWING WITHOUT THE EXPRESS PERMISSION OF FABRAL IS PROHIBITED.

FABRAL, INC.
 3449 Hempland Road
 Lancaster, PA 17601
 800-477-2741

VALLEY DETAIL (V-1)

THIN SEAM

Issued:
 APRIL 2012



FABRAL

Project:

Contractor:

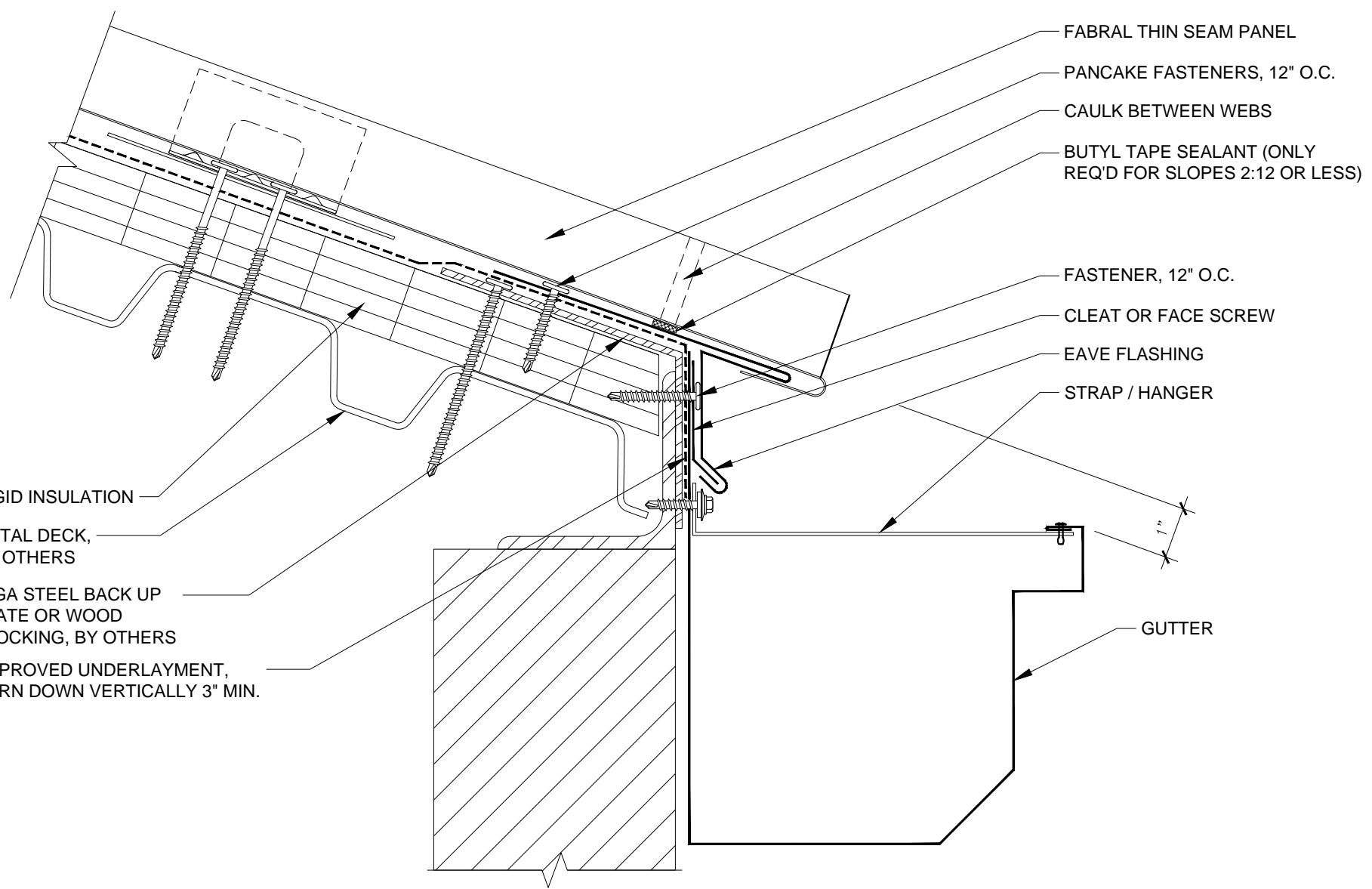
THIS DRAWING IS THE PROPERTY OF FABRAL, INC. THE USE OF THIS DRAWING WITHOUT THE EXPRESS PERMISSION OF FABRAL IS PROHIBITED.

FABRAL, INC.
 3449 Hempland Road
 Lancaster, PA 17601
 800-477-2741

VALLEY DETAIL (V-2)

THIN SEAM

Issued:
 APRIL 2012



FABRAL

Project: _____
 Contractor: _____

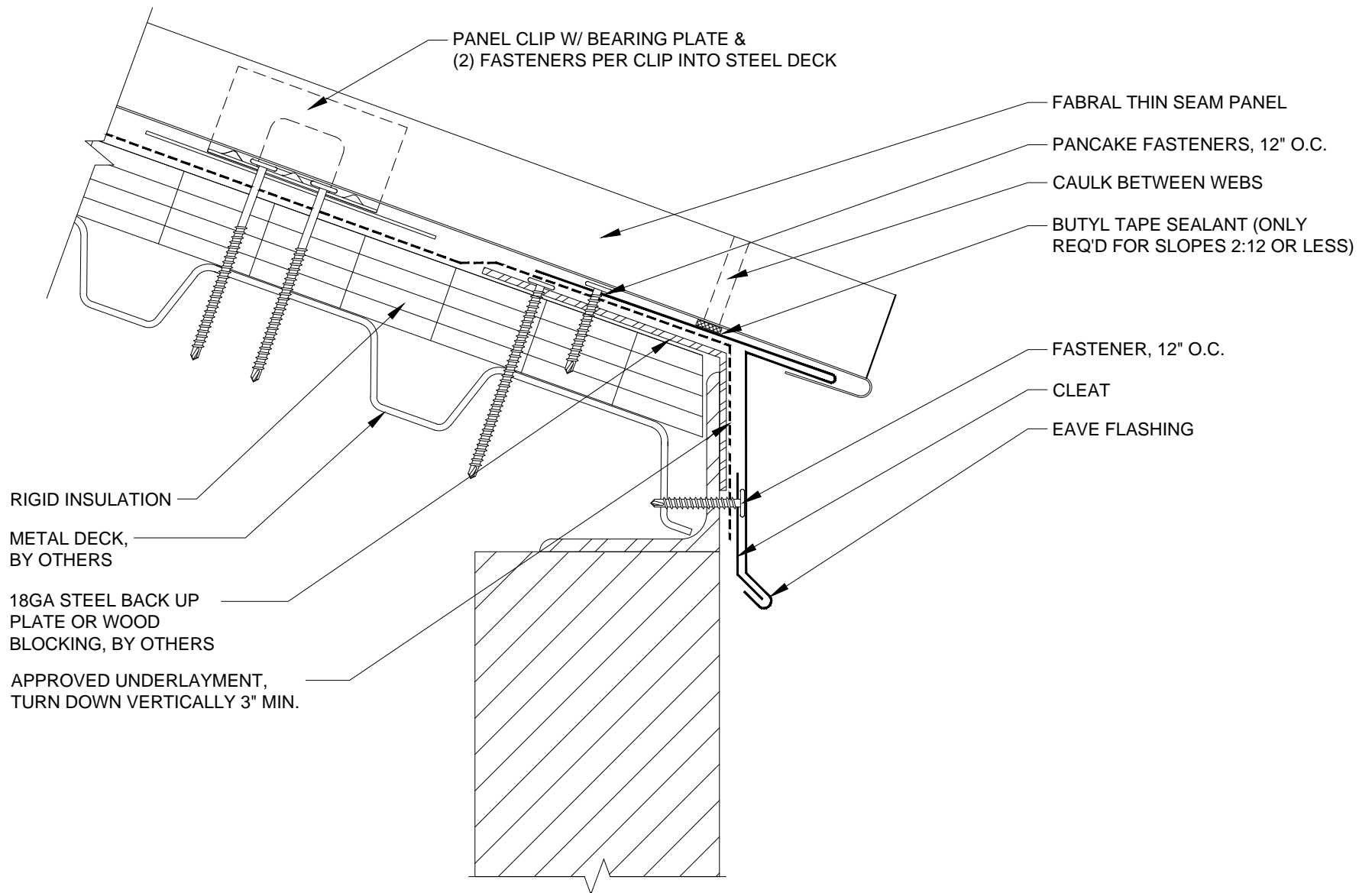
THIS DRAWING IS THE PROPERTY OF FABRAL, INC. THE USE OF THIS DRAWING WITHOUT THE EXPRESS PERMISSION OF FABRAL IS PROHIBITED.

FABRAL, INC.
 3449 Hempland Road
 Lancaster, PA 17601
 800-477-2741

SLIDING EAVE W/ GUTTER DETAIL (EG-1)

THIN SEAM

Issued:
 APRIL 2012



FABRAL

Project:

Contractor:

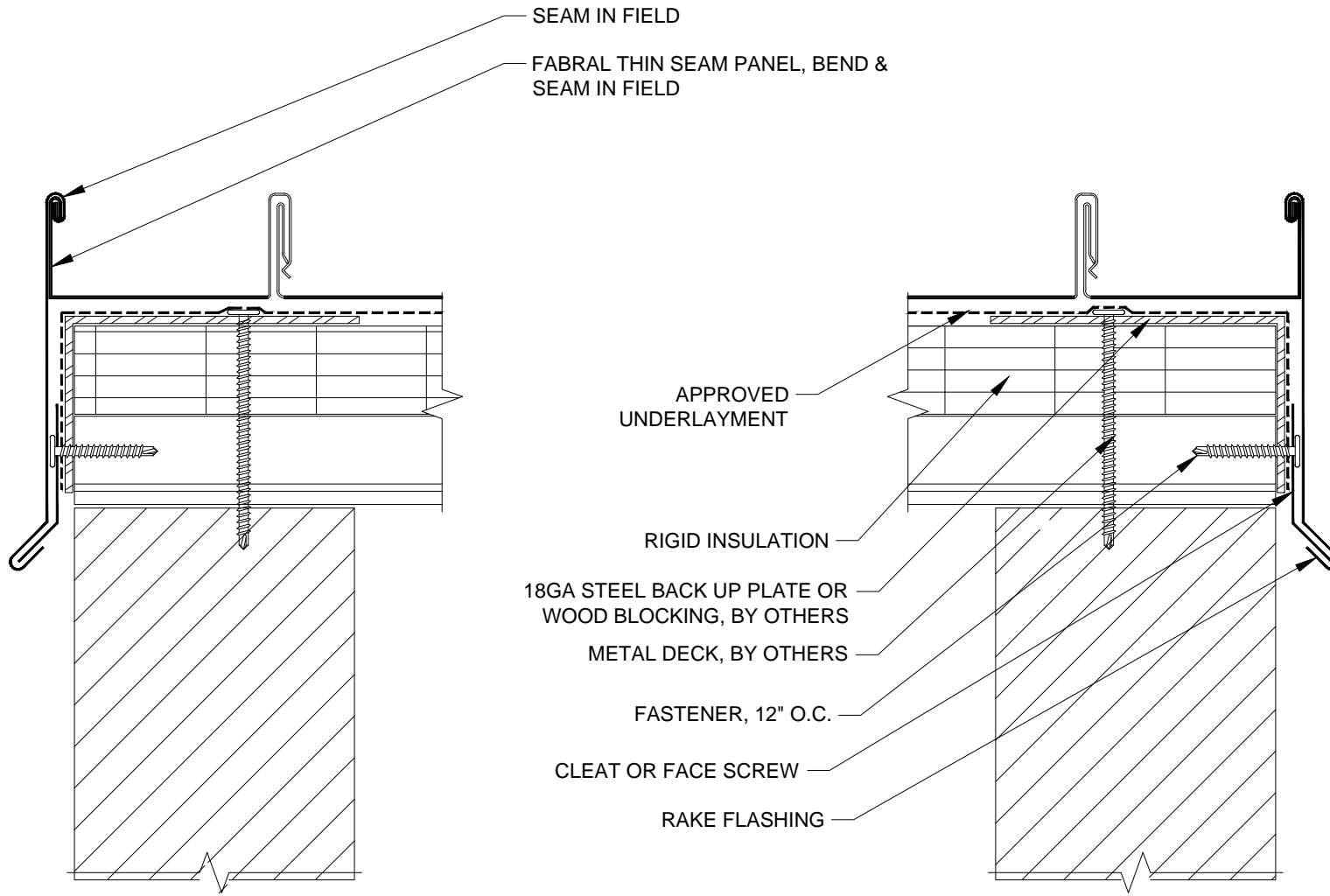
THIS DRAWING IS THE PROPERTY OF FABRAL, INC. THE USE OF THIS DRAWING WITHOUT THE EXPRESS PERMISSION OF FABRAL IS PROHIBITED.

FABRAL, INC.
 3449 Hempland Road
 Lancaster, PA 17601
 800-477-2741

SLIDING EAVE DETAIL (E-1)

THIN SEAM

Issued:
 APRIL 2012



FABRAL

Project:

Contractor:

THIS DRAWING IS THE PROPERTY OF FABRAL, INC. THE USE OF THIS DRAWING WITHOUT THE EXPRESS PERMISSION OF FABRAL IS PROHIBITED.

FABRAL, INC.
 3449 Hempland Road
 Lancaster, PA 17601
 800-477-2741

SLIDING GABLE DETAIL (G-1)

THIN SEAM

Issued:
 APRIL 2012

RAKE Z CLOSURE
ATTACHED W/
FASTENERS, 12" O.C.

APPROVED
UNDERLAYMENT,
TURN DOWN
VERTICALLY 3" MIN.

CLEAT

18GA STEEL BACK UP
PLATE OR WOOD
BLOCKING BY OTHERS

RIGID INSULATION

METAL DECK,
BY OTHERS

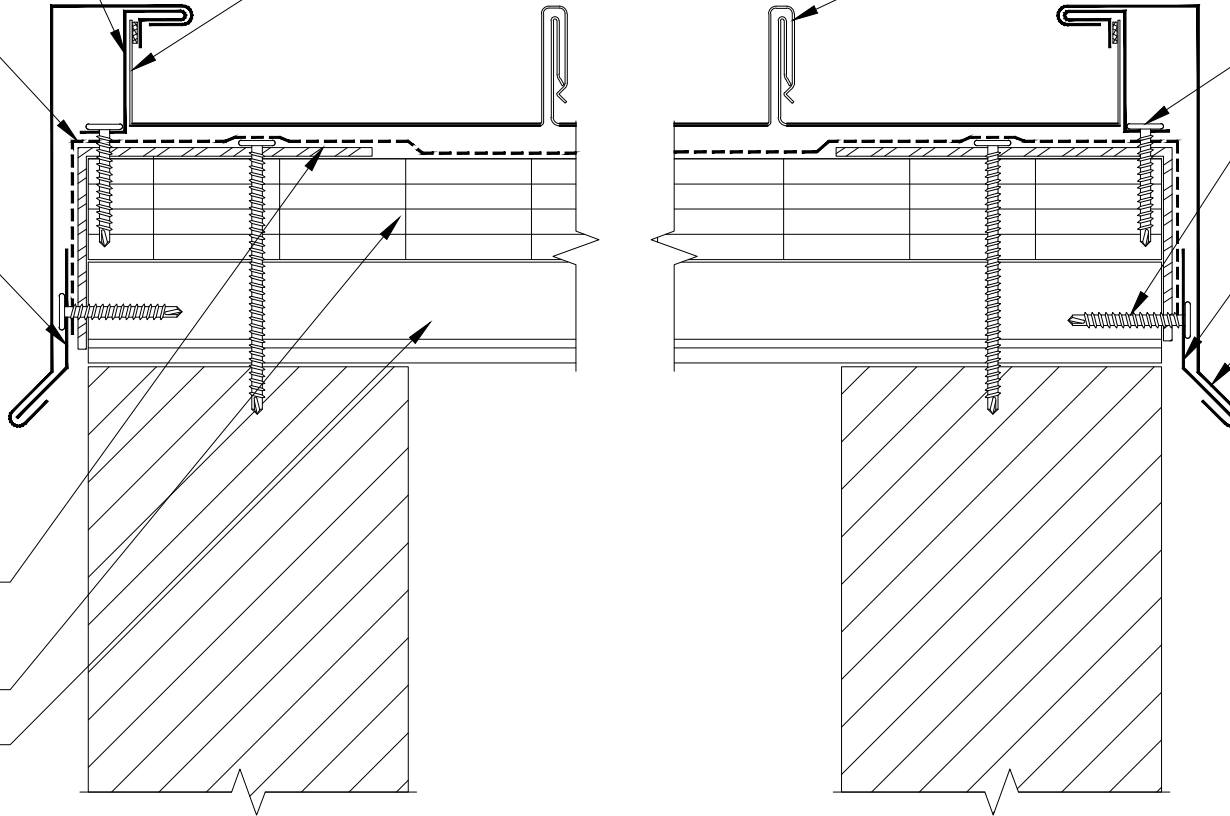
FIELD BEND PANEL, ADD
BUTYL TAPE SEALANT

FABRAL THIN SEAM
PANEL

FASTENERS,
12" O.C.

CLEAT OR FACE SCREW

RAKE FLASHING



FABRAL

Project:

Contractor:

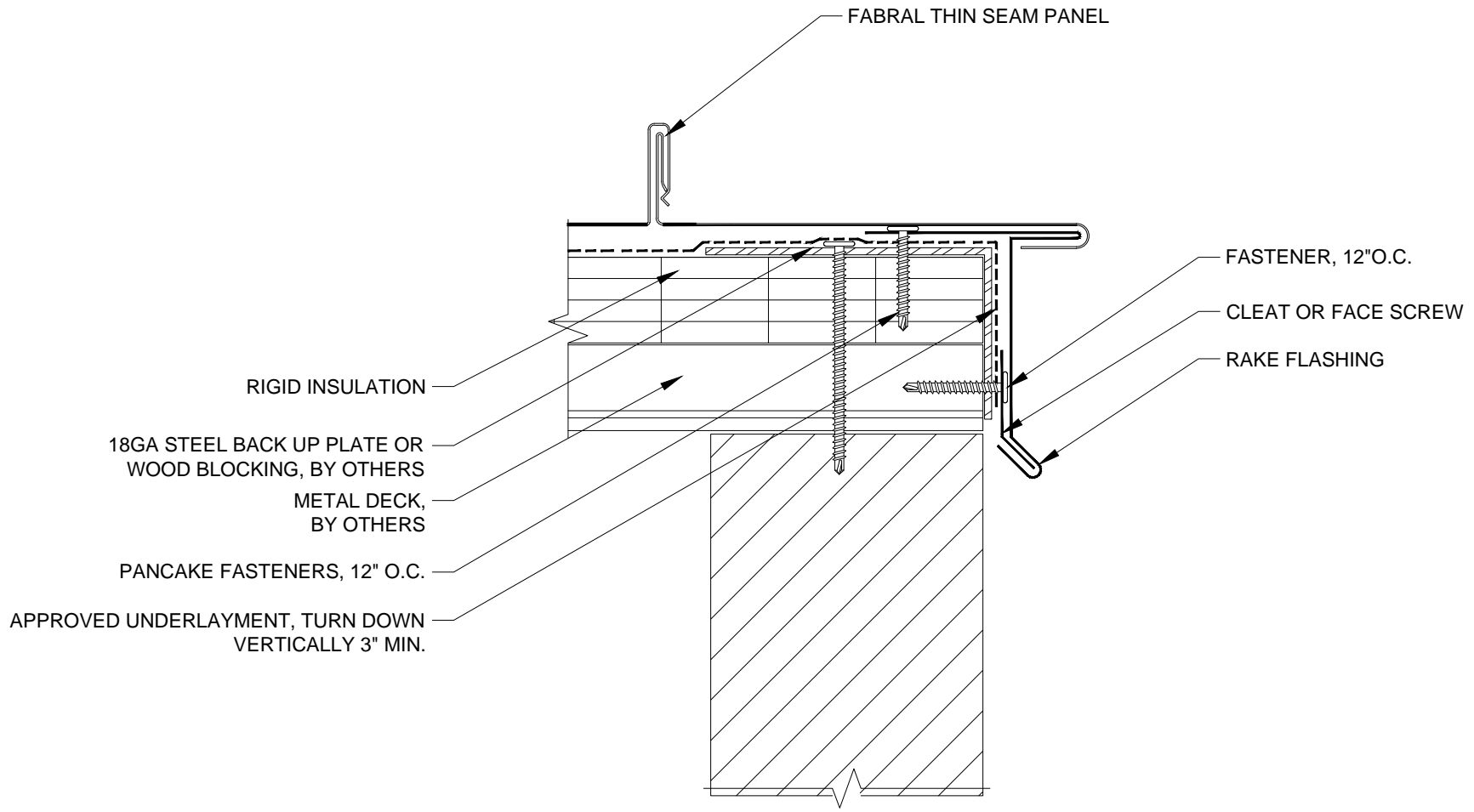
THIS DRAWING IS THE
PROPERTY OF FABRAL,
INC. THE USE OF THIS
DRAWING WITHOUT THE
EXPRESS PERMISSION OF
FABRAL IS PROHIBITED.

FABRAL, INC.
3449 Hempland Road
Lancaster, PA 17601
800-477-2741

SLIDING GABLE DETAIL (G-2)

THIN SEAM

Issued:
APRIL 2012



FABRAL

Project:

Contractor:

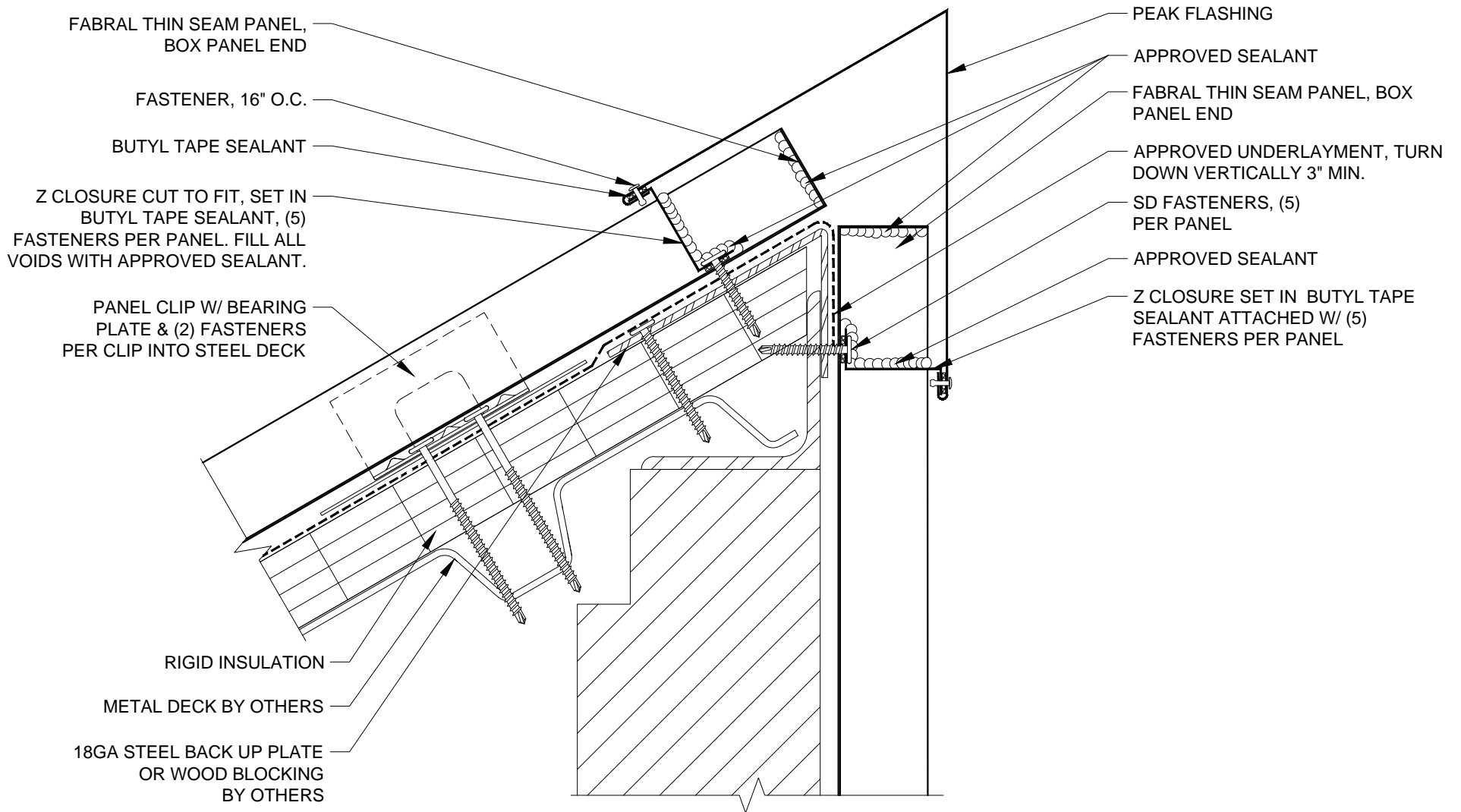
THIS DRAWING IS THE PROPERTY OF FABRAL, INC. THE USE OF THIS DRAWING WITHOUT THE EXPRESS PERMISSION OF FABRAL IS PROHIBITED.

FABRAL, INC.
 3449 Hempland Road
 Lancaster, PA 17601
 800-477-2741

SLIDING GABLE DETAIL (G-3)

THIN SEAM

Issued:
 APRIL 2012



FABRAL

Project:

Contractor:

THIS DRAWING IS THE PROPERTY OF FABRAL, INC. THE USE OF THIS DRAWING WITHOUT THE EXPRESS PERMISSION OF FABRAL IS PROHIBITED.

FABRAL, INC.
 3449 Hempland Road
 Lancaster, PA 17601
 800-477-2741

FIXED HIGH SIDE DETAIL (FHS-1)

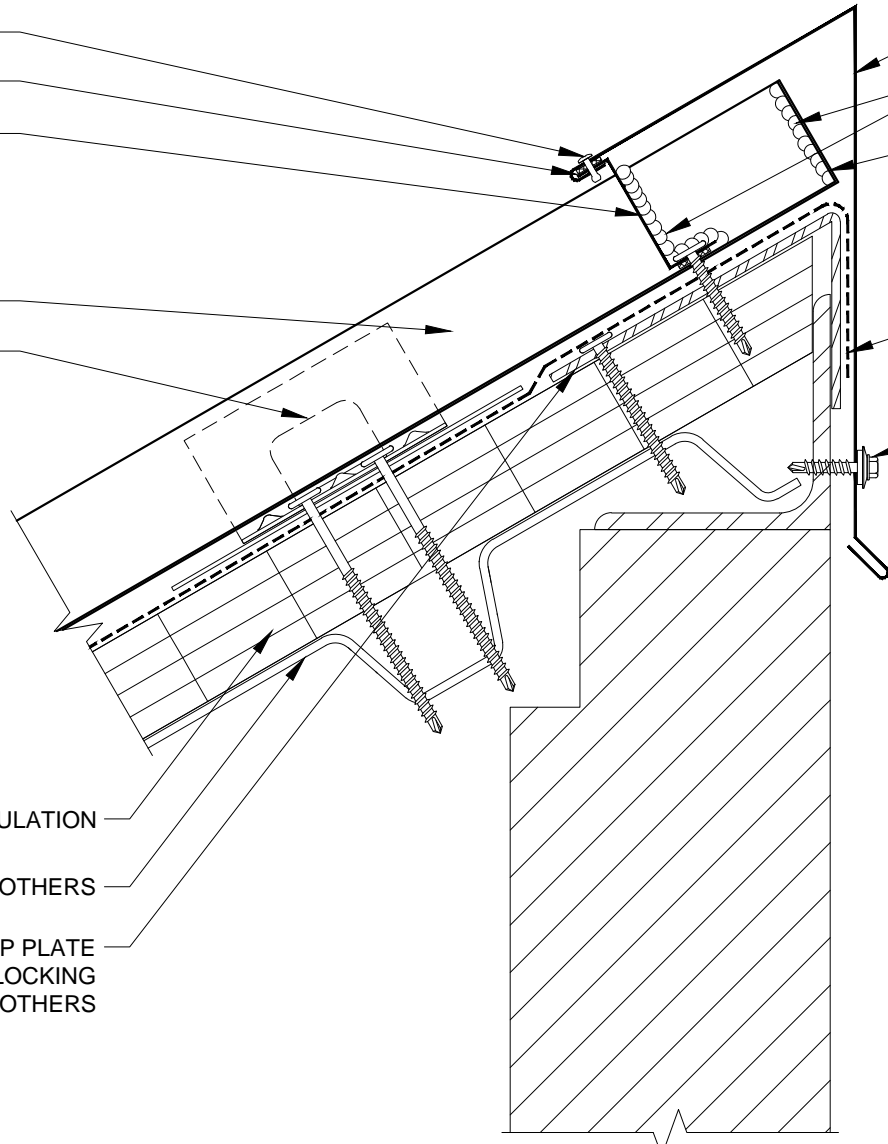
THIN SEAM

Issued:
 APRIL 2012

FASTENER, 16" O.C.
 BUTYL TAPE SEALANT
 Z CLOSURE CUT TO FIT, SET IN BUTYL TAPE SEALANT, (5) FASTENERS PER PANEL. FILL ALL VOIDS WITH APPROVED SEALANT.

FABRAL THIN SEAM PANEL
 PANEL CLIP W/ BEARING PLATE & (2) FASTENERS PER CLIP INTO STEEL DECK

RIGID INSULATION
 METAL DECK BY OTHERS
 18GA STEEL BACK UP PLATE OR WOOD BLOCKING BY OTHERS



PEAK FLASHING
 APPROVED SEALANT
 BOX END OF PANEL
 APPROVED UNDERLAYMENT, TURN DOWN VERTICALLY 3" MIN.
 FASTENERS, 12" O.C.

FABRAL

Project:

Contractor:

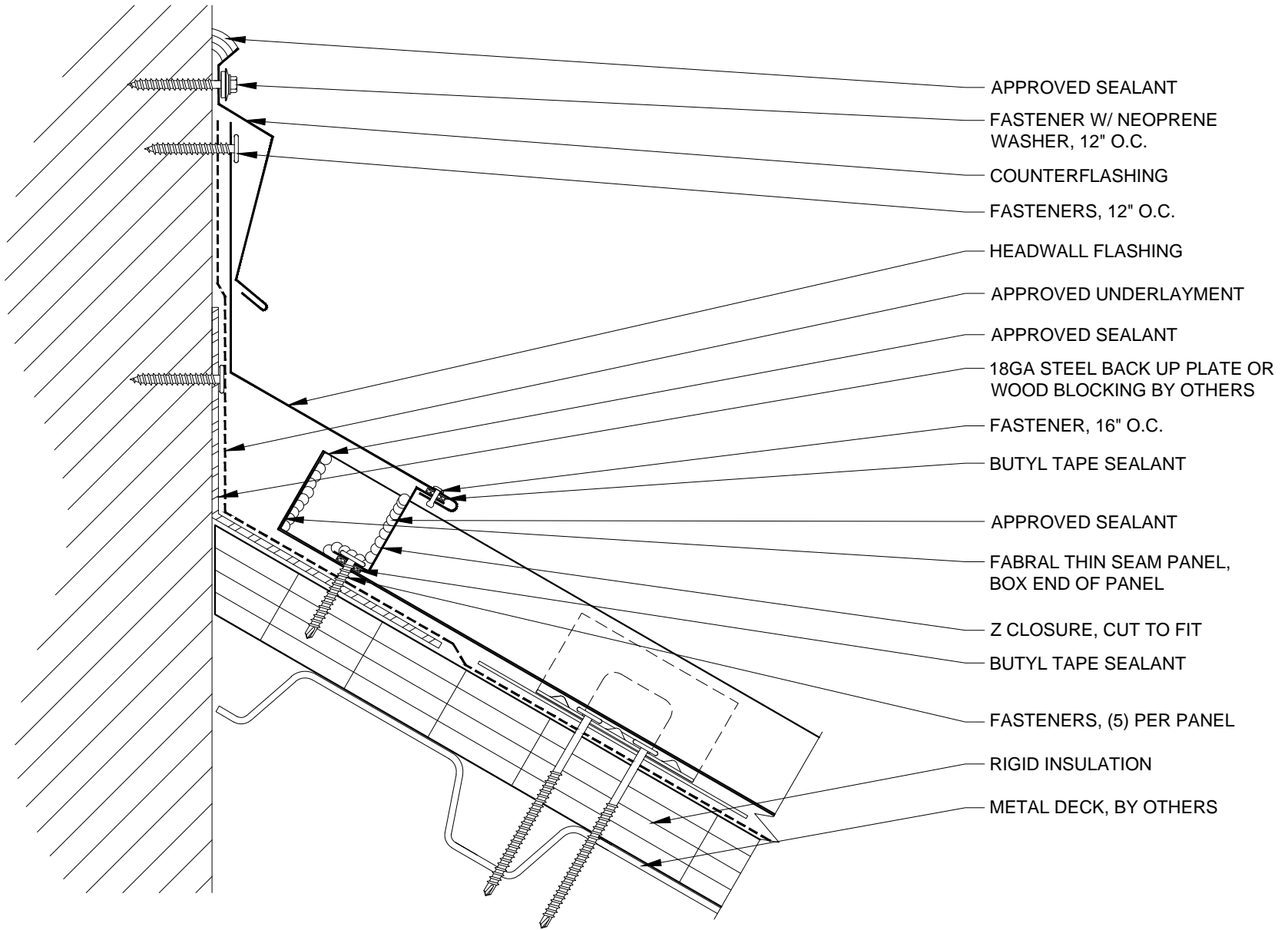
THIS DRAWING IS THE PROPERTY OF FABRAL, INC. THE USE OF THIS DRAWING WITHOUT THE EXPRESS PERMISSION OF FABRAL IS PROHIBITED.

FABRAL, INC.
 3449 Hempland Road
 Lancaster, PA 17601
 800-477-2741

FIXED HIGH SIDE DETAIL (FHS-2)

THIN SEAM

Issued:
 APRIL 2012



- APPROVED SEALANT
- FASTENER W/ NEOPRENE WASHER, 12" O.C.
- COUNTERFLASHING
- FASTENERS, 12" O.C.
- HEADWALL FLASHING
- APPROVED UNDERLAYMENT
- APPROVED SEALANT
- 18GA STEEL BACK UP PLATE OR WOOD BLOCKING BY OTHERS
- FASTENER, 16" O.C.
- BUTYL TAPE SEALANT
- APPROVED SEALANT
- FABRAL THIN SEAM PANEL, BOX END OF PANEL
- Z CLOSURE, CUT TO FIT
- BUTYL TAPE SEALANT
- FASTENERS, (5) PER PANEL
- RIGID INSULATION
- METAL DECK, BY OTHERS

FABRAL

Project:

Contractor:

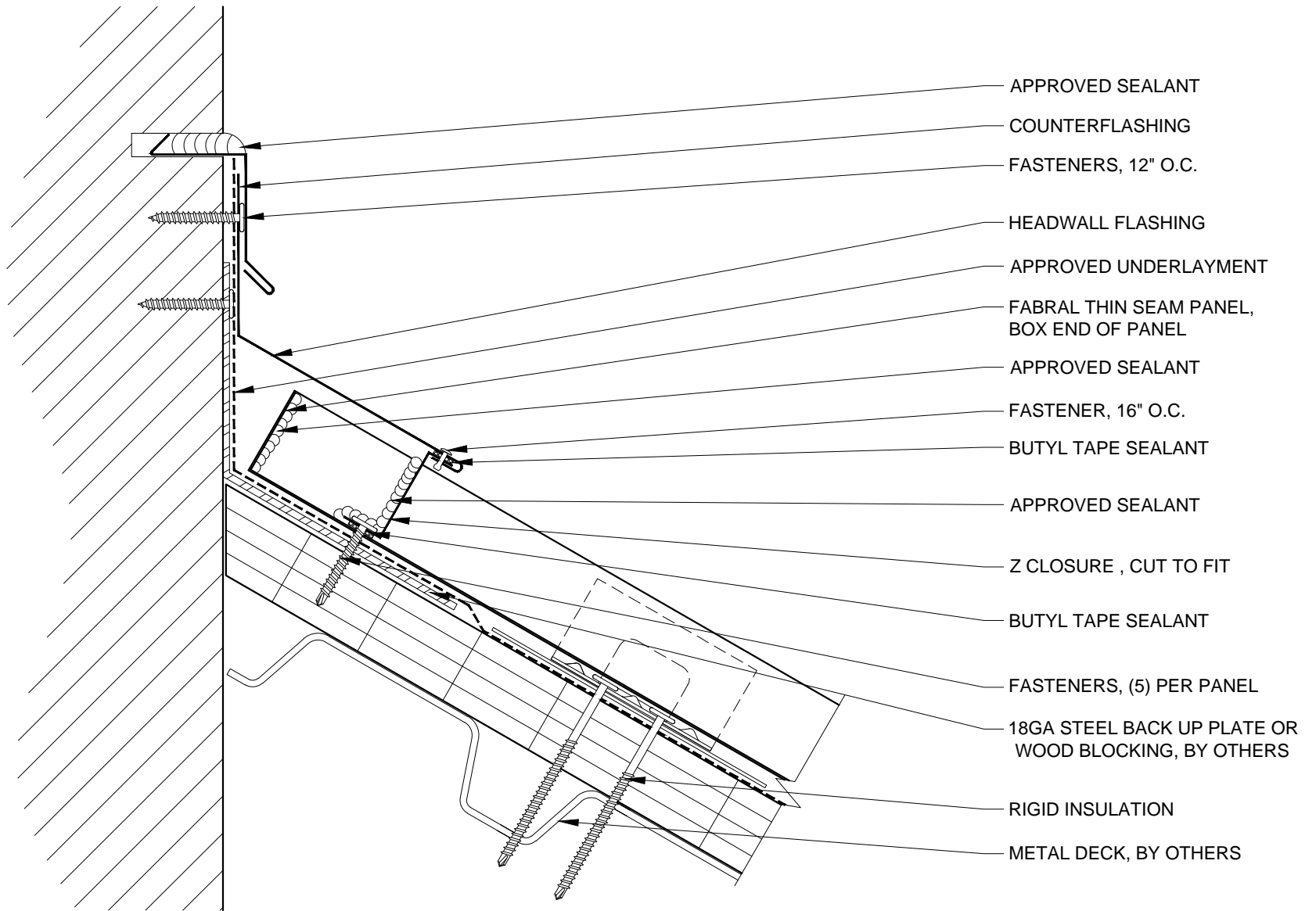
THIS DRAWING IS THE PROPERTY OF FABRAL, INC. THE USE OF THIS DRAWING WITHOUT THE EXPRESS PERMISSION OF FABRAL IS PROHIBITED.

FABRAL, INC.
 3449 Hempland Road
 Lancaster, PA 17601
 800-477-2741

HEADWALL DETAIL (HW-1)

THIN SEAM

Issued:
 APRIL 2012



- APPROVED SEALANT
- COUNTERFLASHING
- FASTENERS, 12" O.C.
- HEADWALL FLASHING
- APPROVED UNDERLAYMENT
- FABRAL THIN SEAM PANEL, BOX END OF PANEL
- APPROVED SEALANT
- FASTENER, 16" O.C.
- BUTYL TAPE SEALANT
- APPROVED SEALANT
- Z CLOSURE , CUT TO FIT
- BUTYL TAPE SEALANT
- FASTENERS, (5) PER PANEL
- 18GA STEEL BACK UP PLATE OR WOOD BLOCKING, BY OTHERS
- RIGID INSULATION
- METAL DECK, BY OTHERS

FABRAL

Project:

Contractor:

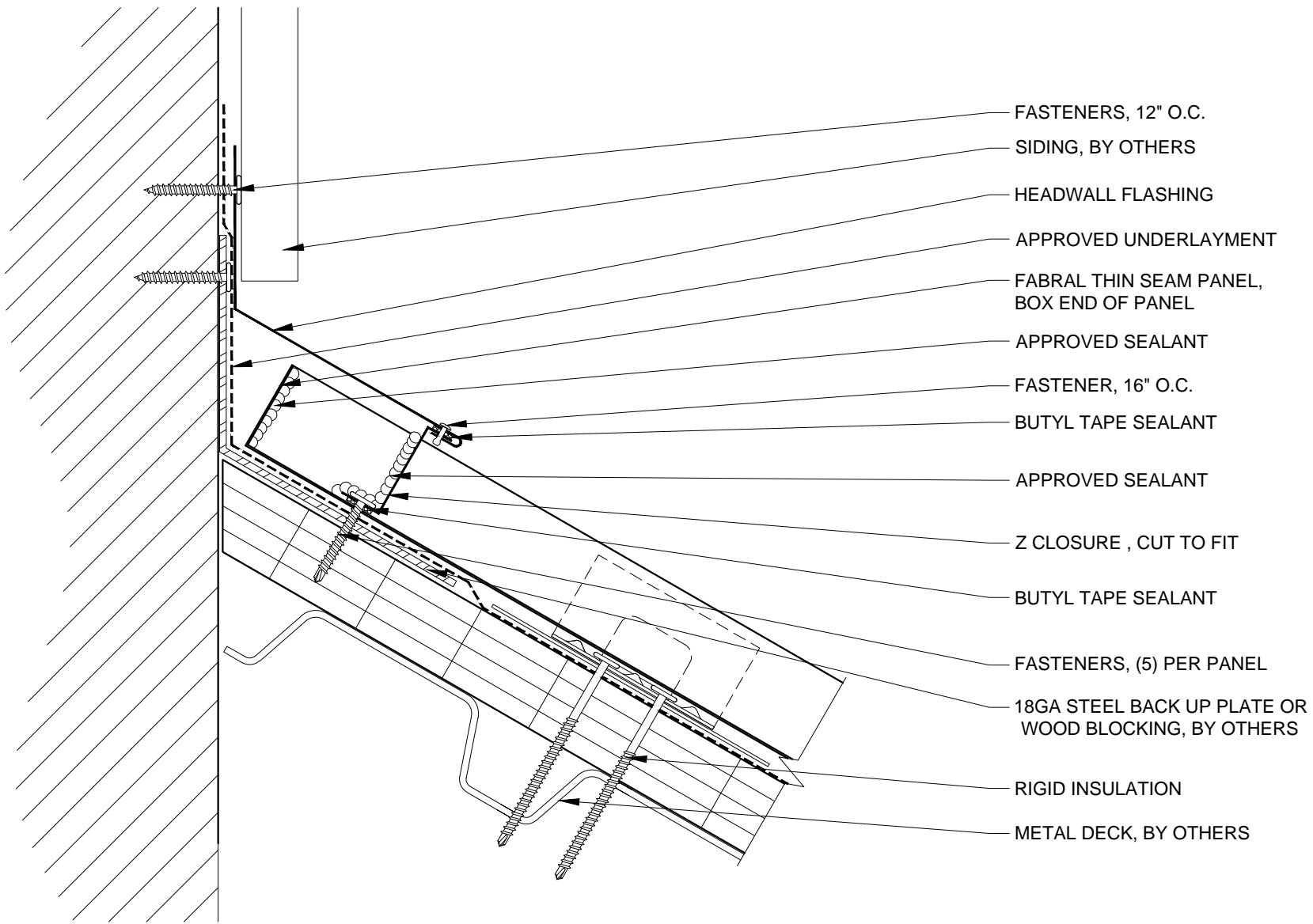
THIS DRAWING IS THE PROPERTY OF FABRAL, INC. THE USE OF THIS DRAWING WITHOUT THE EXPRESS PERMISSION OF FABRAL IS PROHIBITED.

FABRAL, INC.
 3449 Hempland Road
 Lancaster, PA 17601
 800-477-2741

HEADWALL DETAIL (HW-2)

THIN SEAM

Issued:
 APRIL 2012



- FASTENERS, 12" O.C.
- SIDING, BY OTHERS
- HEADWALL FLASHING
- APPROVED UNDERLAYMENT
- FABRAL THIN SEAM PANEL, BOX END OF PANEL
- APPROVED SEALANT
- FASTENER, 16" O.C.
- BUTYL TAPE SEALANT
- APPROVED SEALANT
- Z CLOSURE , CUT TO FIT
- BUTYL TAPE SEALANT
- FASTENERS, (5) PER PANEL
- 18GA STEEL BACK UP PLATE OR WOOD BLOCKING, BY OTHERS
- RIGID INSULATION
- METAL DECK, BY OTHERS

FABRAL

Project:

Contractor:

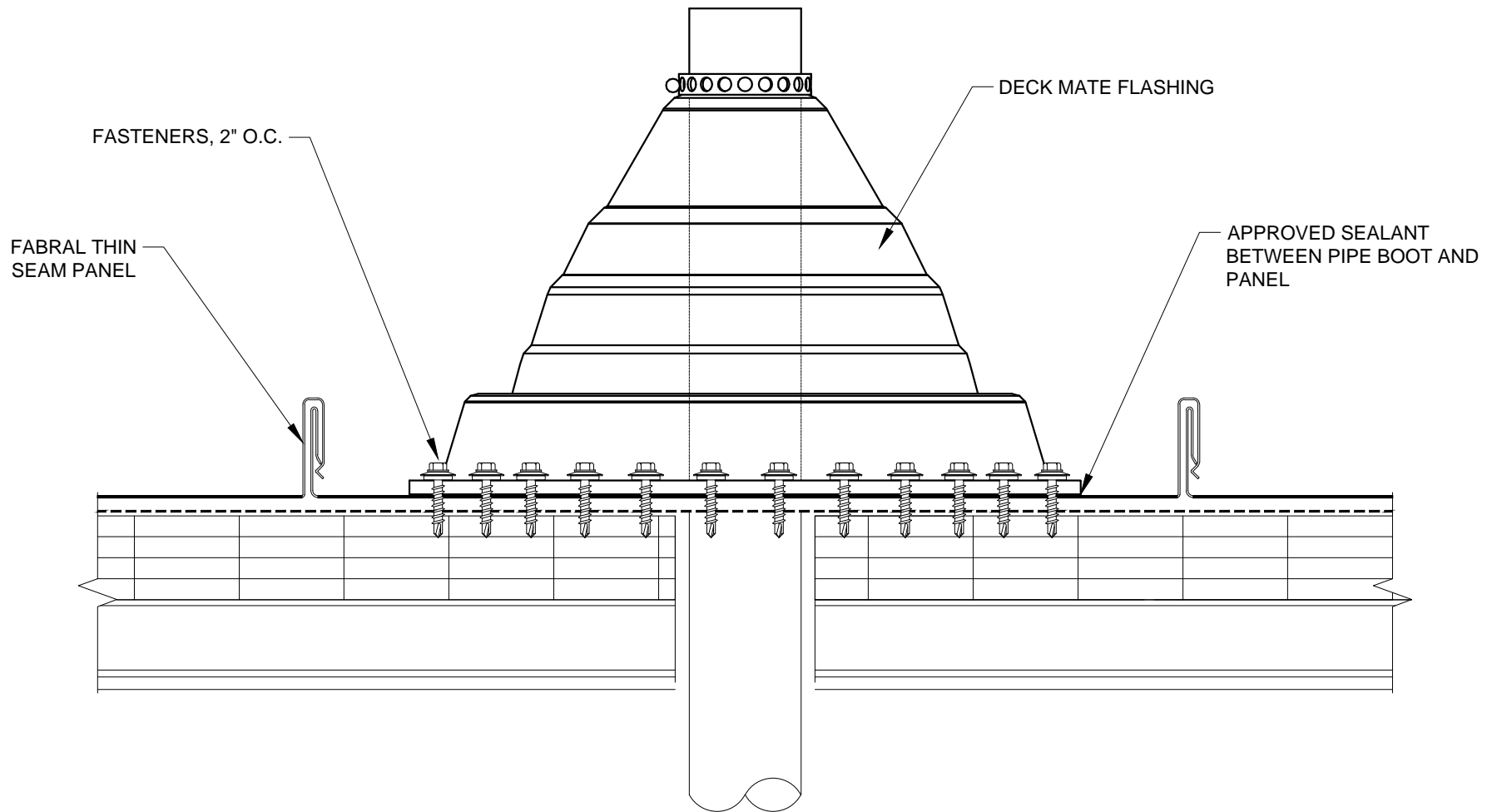
THIS DRAWING IS THE PROPERTY OF FABRAL, INC. THE USE OF THIS DRAWING WITHOUT THE EXPRESS PERMISSION OF FABRAL IS PROHIBITED.

FABRAL, INC.
 3449 Hempland Road
 Lancaster, PA 17601
 800-477-2741

HEADWALL DETAIL (HW-3)

THIN SEAM

Issued:
 APRIL 2012



FABRAL

Project:

Contractor:

THIS DRAWING IS THE PROPERTY OF FABRAL, INC. THE USE OF THIS DRAWING WITHOUT THE EXPRESS PERMISSION OF FABRAL IS PROHIBITED.

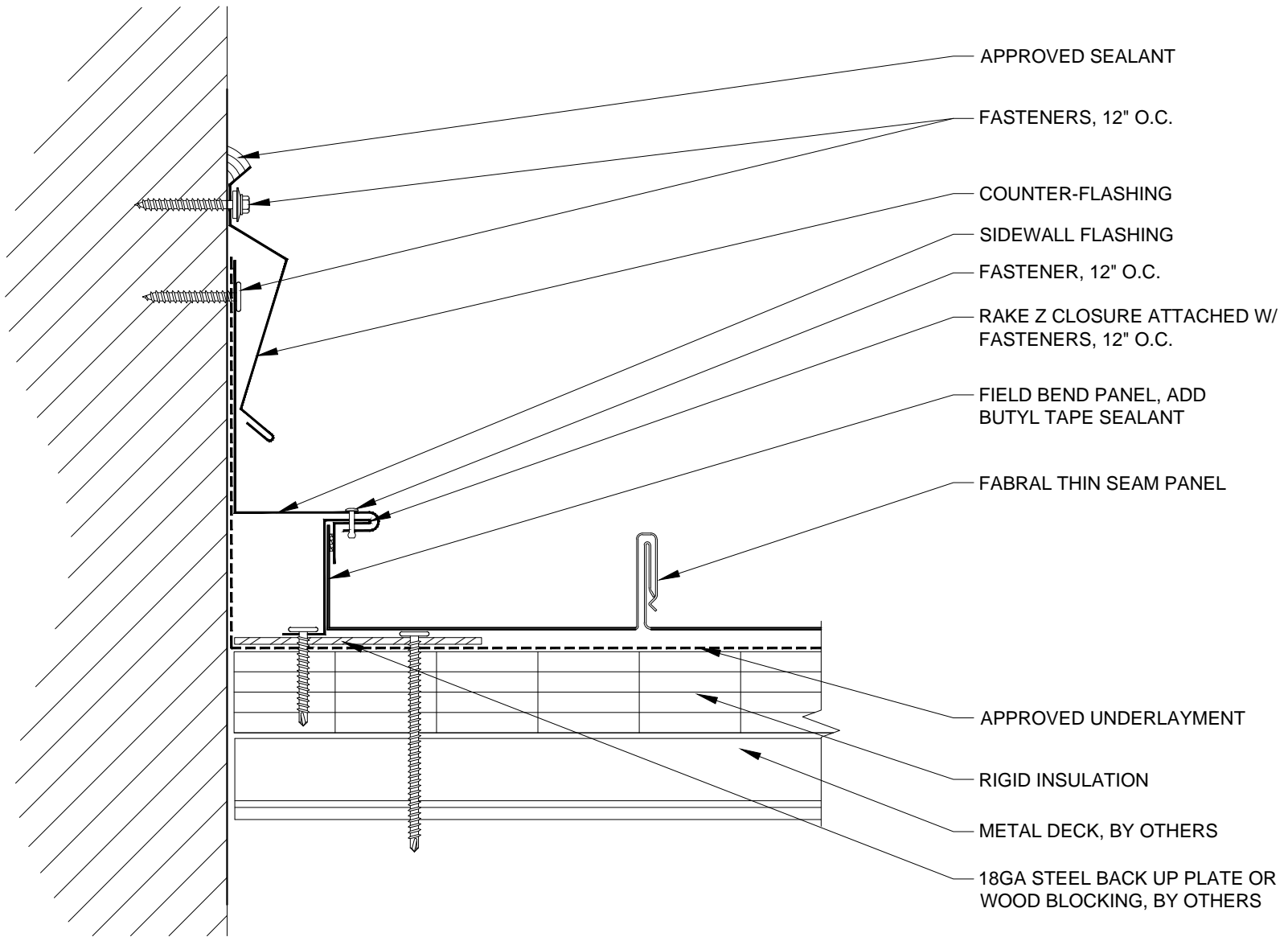
FABRAL, INC.
 3449 Hempland Road
 Lancaster, PA 17601
 800-477-2741

PENETRATION DETAIL (P-1)

THIN SEAM

Issued:

APRIL 2012



FABRAL

Project:

Contractor:

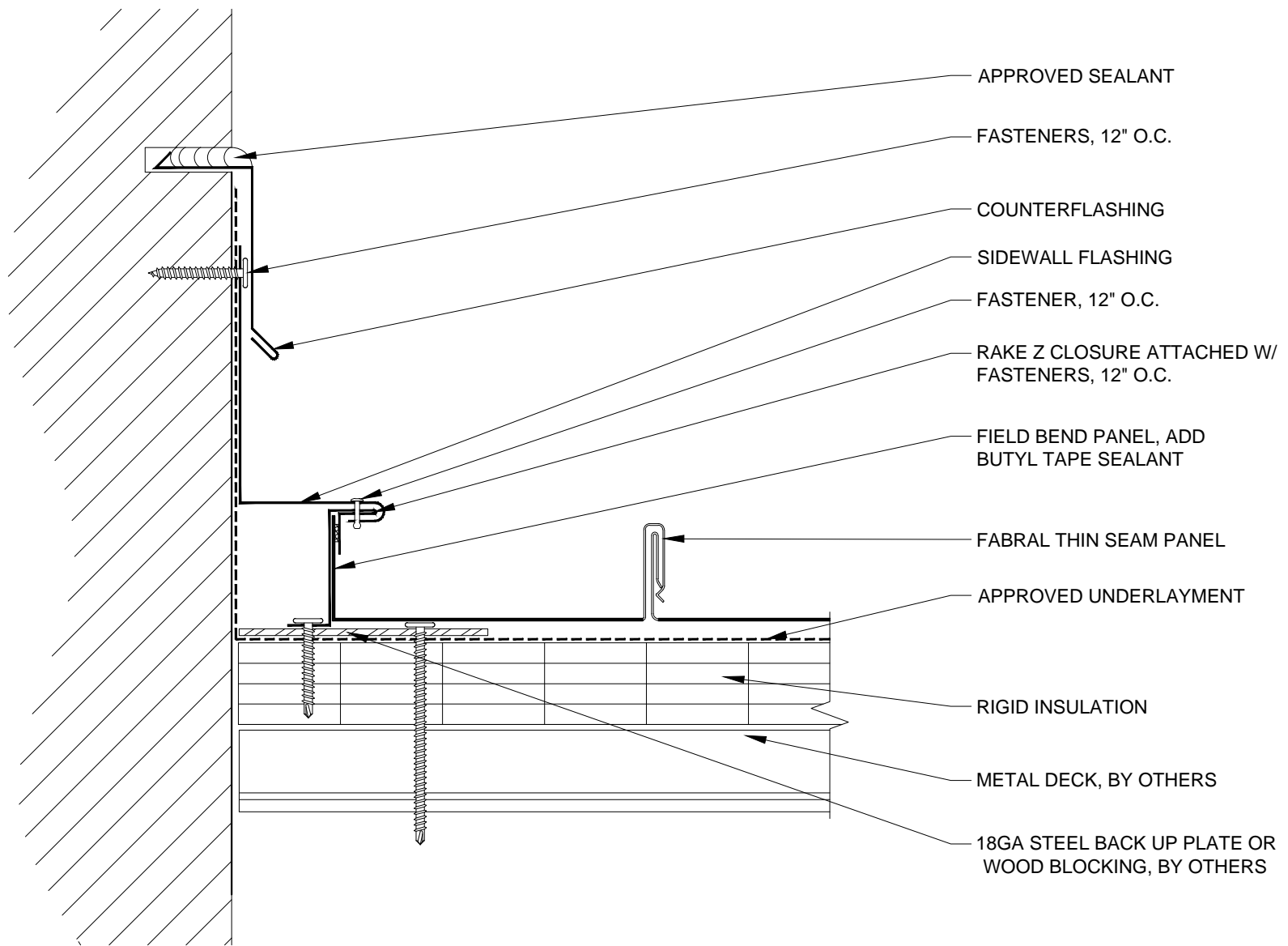
THIS DRAWING IS THE PROPERTY OF FABRAL, INC. THE USE OF THIS DRAWING WITHOUT THE EXPRESS PERMISSION OF FABRAL IS PROHIBITED.

FABRAL, INC.
 3449 Hempland Road
 Lancaster, PA 17601
 800-477-2741

SIDEWALL DETAIL (SW-1)

THIN SEAM

Issued:
 APRIL 2012



FABRAL

Project:

Contractor:

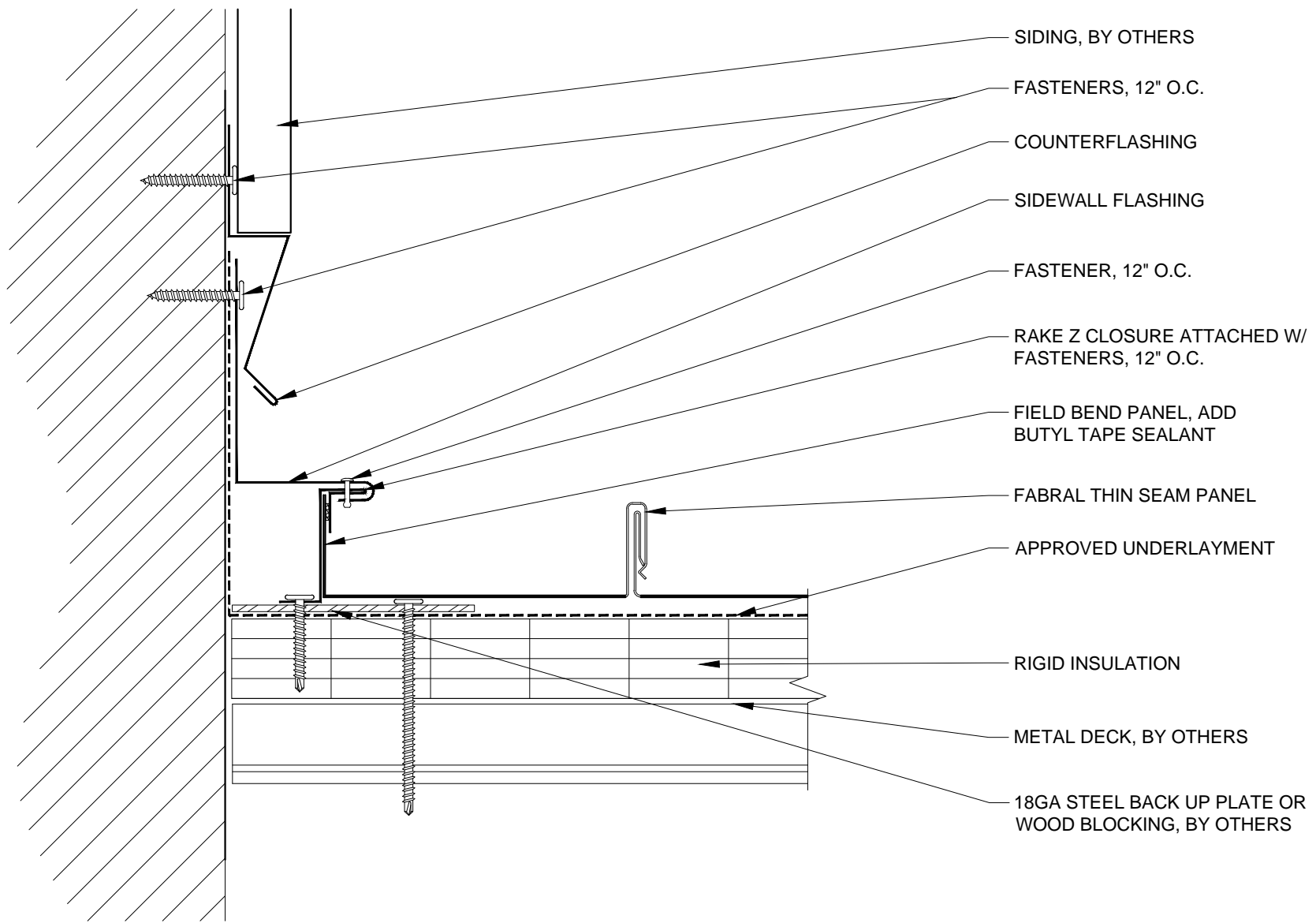
THIS DRAWING IS THE PROPERTY OF FABRAL, INC. THE USE OF THIS DRAWING WITHOUT THE EXPRESS PERMISSION OF FABRAL IS PROHIBITED.

FABRAL, INC.
 3449 Hempland Road
 Lancaster, PA 17601
 800-477-2741

SIDEWALL DETAIL (SW-2)

THIN SEAM

Issued:
 APRIL 2012



FABRAL

Project:

Contractor:

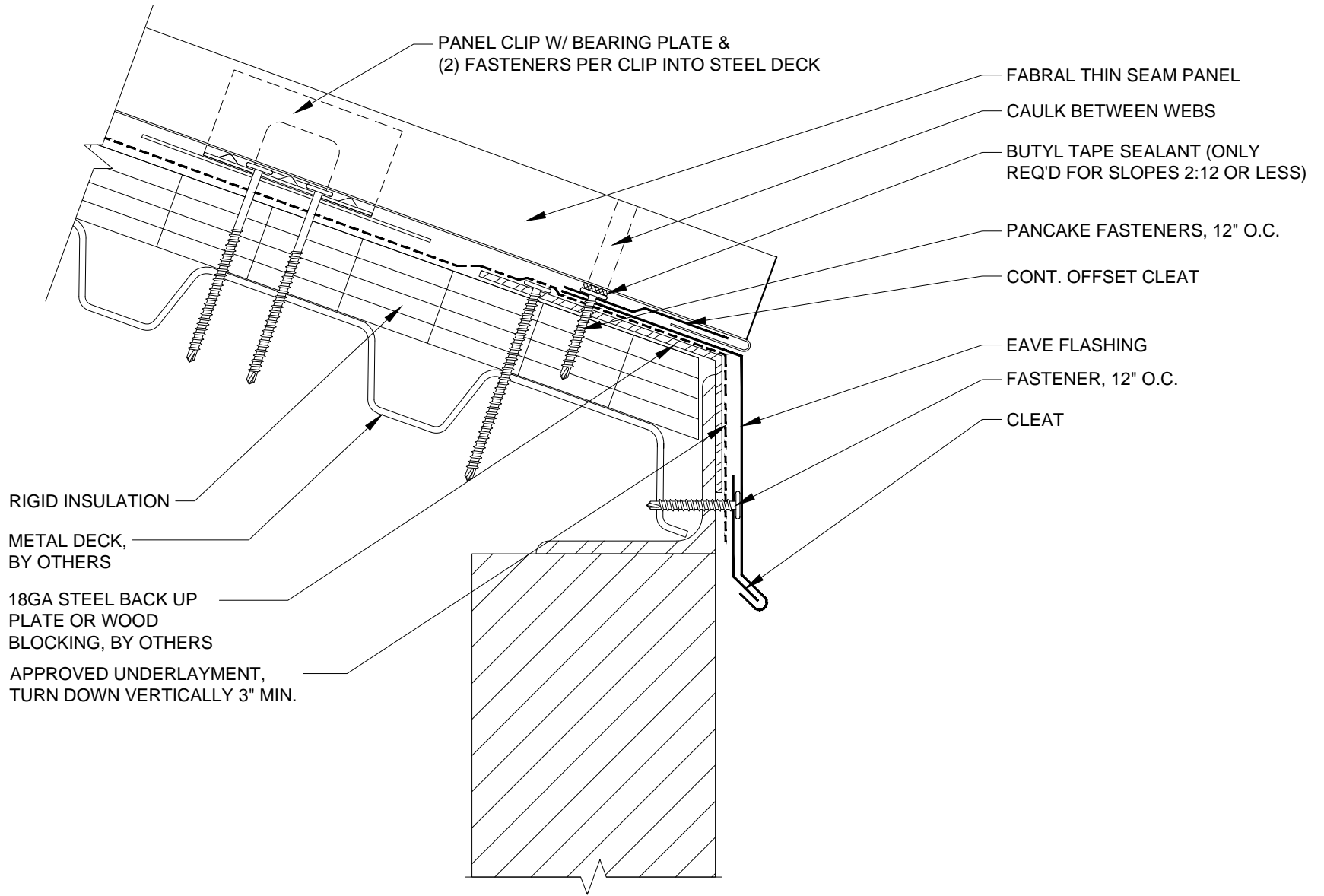
THIS DRAWING IS THE
 PROPERTY OF FABRAL,
 INC. THE USE OF THIS
 DRAWING WITHOUT THE
 EXPRESS PERMISSION OF
 FABRAL IS PROHIBITED.

FABRAL, INC.
 3449 Hempland Road
 Lancaster, PA 17601
 800-477-2741

SIDEWALL DETAIL (SW-3)

THIN SEAM

Issued:
 APRIL 2012



FABRAL

Project:

Contractor:

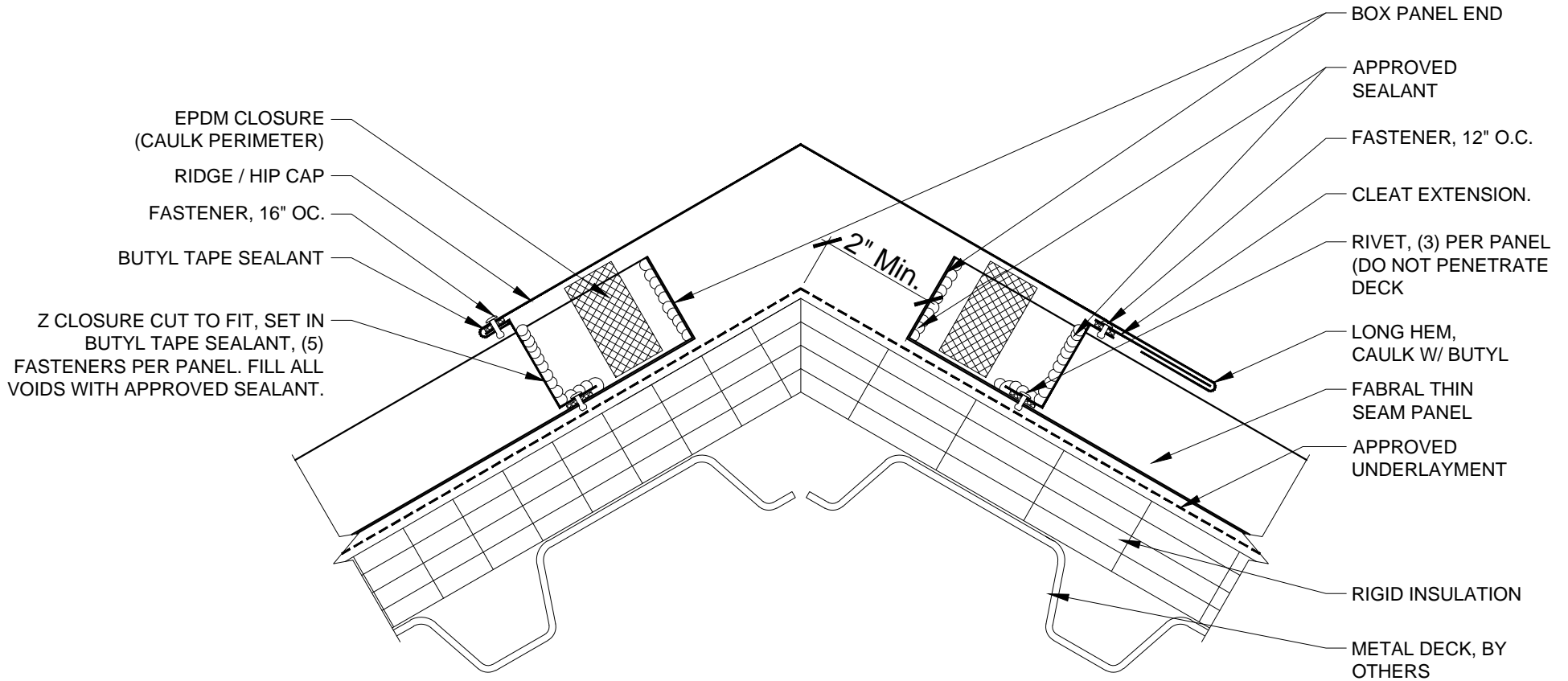
THIS DRAWING IS THE PROPERTY OF FABRAL, INC. THE USE OF THIS DRAWING WITHOUT THE EXPRESS PERMISSION OF FABRAL IS PROHIBITED.

FABRAL, INC.
 3449 Hempland Road
 Lancaster, PA 17601
 800-477-2741

SLIDING EAVE DETAIL (E-2)

THIN SEAM

Issued:
 APRIL 2012



FABRAL

Project: _____
 Contractor: _____

THIS DRAWING IS THE PROPERTY OF FABRAL, INC. THE USE OF THIS DRAWING WITHOUT THE EXPRESS PERMISSION OF FABRAL IS PROHIBITED.

FABRAL, INC.
 3449 Hempland Road
 Lancaster, PA 17601
 800-477-2741

SLIDING HIP/RIDGE DETAIL (HR-2)

THIN SEAM

Issued:
 APRIL 2012