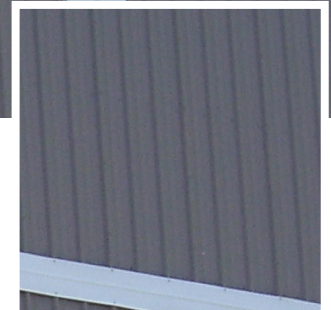




Safeguard Self Storage, New Orleans, LA, USA

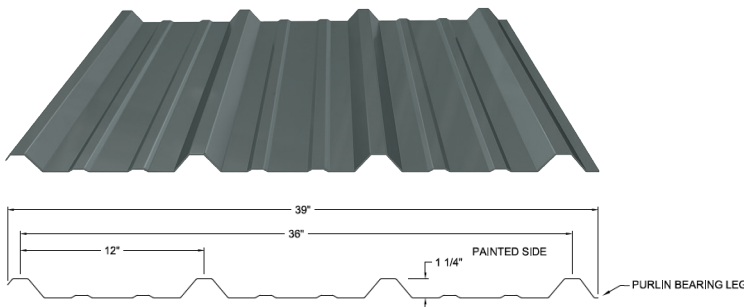
Fabral®'s exposed fastener panel product offering is perfect for use in Self Storage buildings as well as other industrial and government design projects.



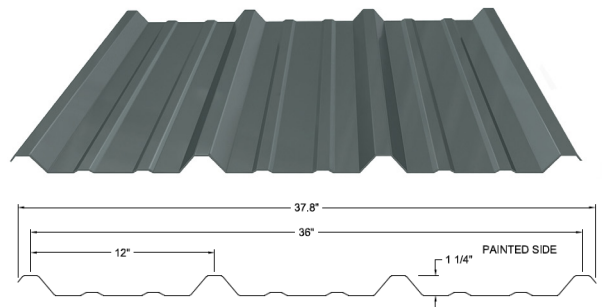
COMMERCIAL RIB OFFERING®

EXPOSED FASTENER ROOFING & SIDING PANEL

Fabral® panels are economical and versatile exposed fastener panels that can be used on both wall and roof applications. With exceptional durability and unlimited color options, Fabral's panels would be the perfect choice for function and creativity. The traditional look of this panel will give your project a classic touch. It is available with multiple perforation options for even more design flexibility.



PBR Panel - Roof and Wall Application



R Panel - Roof and Wall Application

Panels shown are the standard options with nominal dimensions as shown. Panel material (ie steel or aluminum) and paint type will limit available option. Contact Fabral for more information.

Other versions available. See Panel Options document or contact Fabral for more information.

PBR/R PANEL

BRIEF PRODUCT SPECIFICATION

MANUFACTURER DESCRIPTION

- Fabral®, Forth Worth, TX
- **Telephone:** 800.884.4484
- **Email:** sales@fabral.com
- **Website:** Fabral.com

PRODUCT DESCRIPTION

Acceptable Product:	Fabral® PBR
Class 4 Impact:	UL2218
Class A Fire:	UL790

GRAVITY LOAD TABLE (PSF)

Substrate	Span	2'-6"	3'-0"	3'-6"	4'-0"	4'-6"	5'-0"
26 ga. Steel	3	245	170	125	96	76	61
24 ga. Steel	3	215	150	110	84	66	54
22 ga. Steel	3	339	236	173	132	105	85

Note: Allowable loads based on AISI Specifications. Allowable loads are based on stress only.

DESIGN INFORMATION

- **Roof Slope:** Minimum required - 1:12 (PBR)
- **Purlin Spacing:** Maximum - 5' on-center
- **Reverse Run Available**
- **Perforated Options Available**
- **Panel Length:** Maximum - 45' Minimum - 6'
- **Panel Width:** 36" Coverage

PRODUCT INSTALLATION

Install panels plumb, level and straight so it is watertight and without waves or other distortions, allowing for thermal movement considerations. Apply sealant tape or caulking as necessary at flashing and panel joints to prevent water penetration.

PRODUCT MAINTENANCE AND WARRANTY

Fabral® provides a 30 year paint-finish warranty for cracking, chipping, peeling, fading and chalking – providing confidence in a long-lasting application.

To ensure the durability of your panels, use proper care. Remove filings, grease, stains, marks or excess sealants from roof panels system to prevent staining. Store panels and flashings in a safe, dry environment.