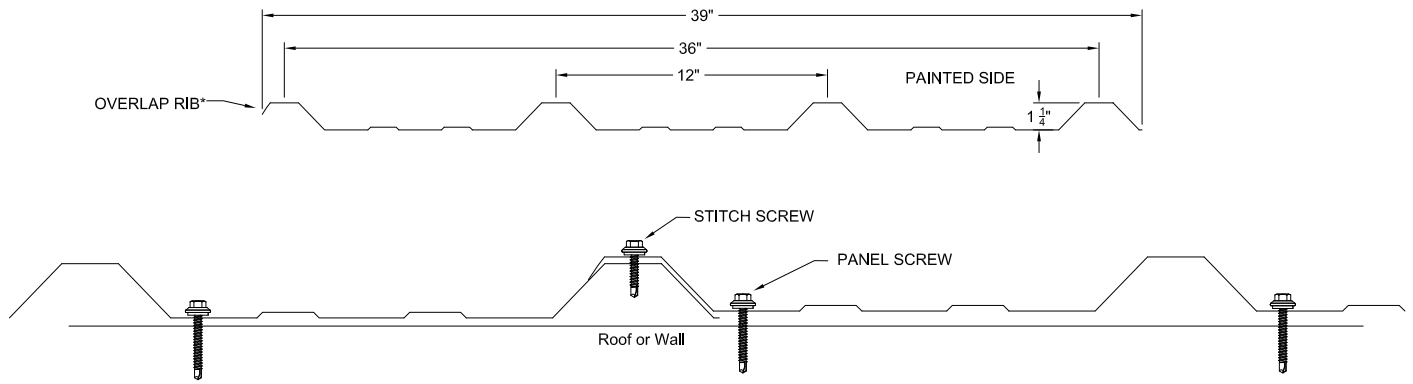


## MIGHTI-RIB - Standard 43" Coil

Used both roofs and walls  
Painted side is on the exterior

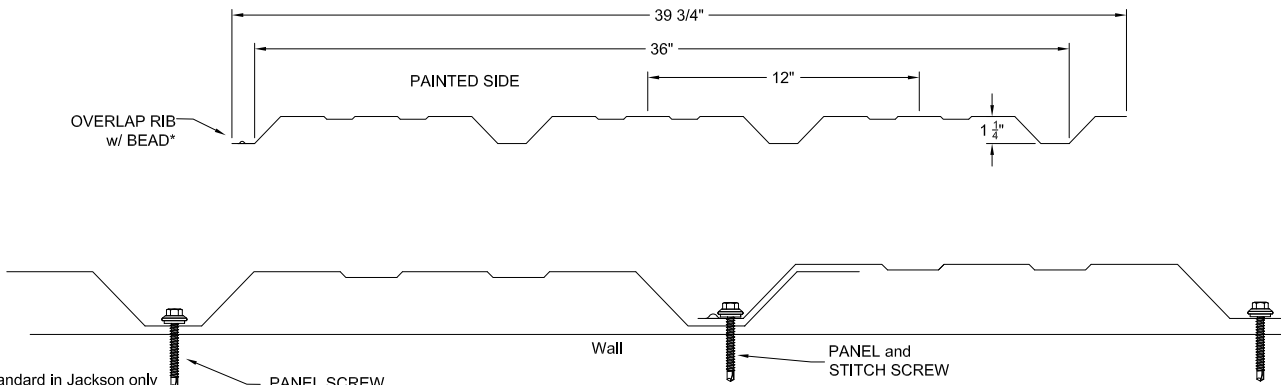


\*Panels produced in Cedar City HAVE a bead in the overlap rib

Stitch screw used in commercial applications  
Butyl sealant recommended for weathertightness

## MIGHTI-RIB I (aka, MightiRib Inverted) - 43" Coil

Used only on walls  
Painted side is on the exterior, Screws in the "ribs"

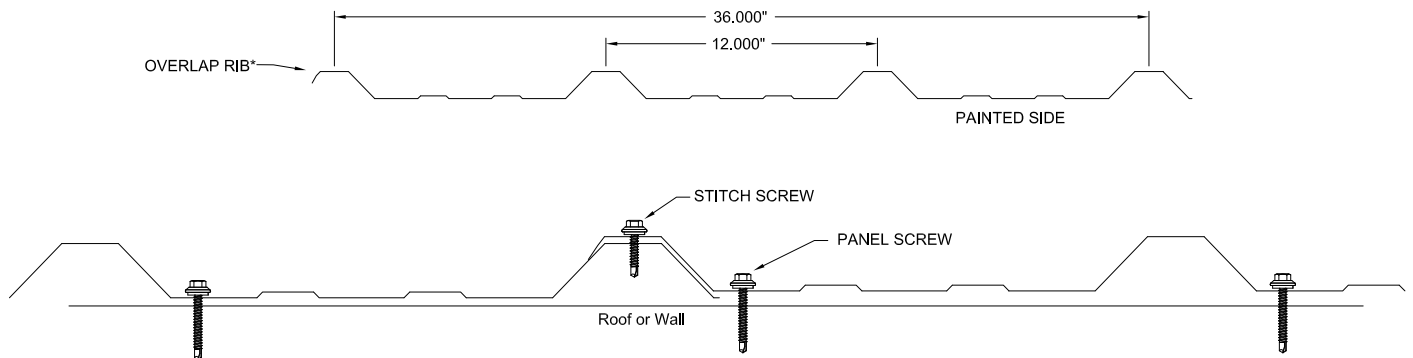


\*Panel bead standard in Jackson only  
MR-I Not available in Cedar City

Stitch screw used in commercial applications

## MIGHTI-RIB REVERSE RUN - Standard 43" coil

Standard version with paint on the interior side



If used on a wall as an inverted panel, a small gap may be visible



\*Panels produced in Cedar City HAVE a bead in the overlap rib

Stitch screw used in commercial applications  
Butyl sealant recommended for weathertightness

Job Name: \_\_\_\_\_  
Date: \_\_\_\_\_  
Signature: \_\_\_\_\_

Panel option must be circled and signed prior to production

Panels shown above are the standard options with nominal dimensions as shown. Panel material (ie steel or aluminum) and paint type will limit available options. Contact Fabral for more information.